

# Platinum<sup>®</sup> PRO

## Treadmill 5.0

User manual  
Benutzerhandbuch  
Manuel de l'utilisateur  
Gebruikershandleiding  
Manual del usuario  
Bruksanvisning  
Kättöohje

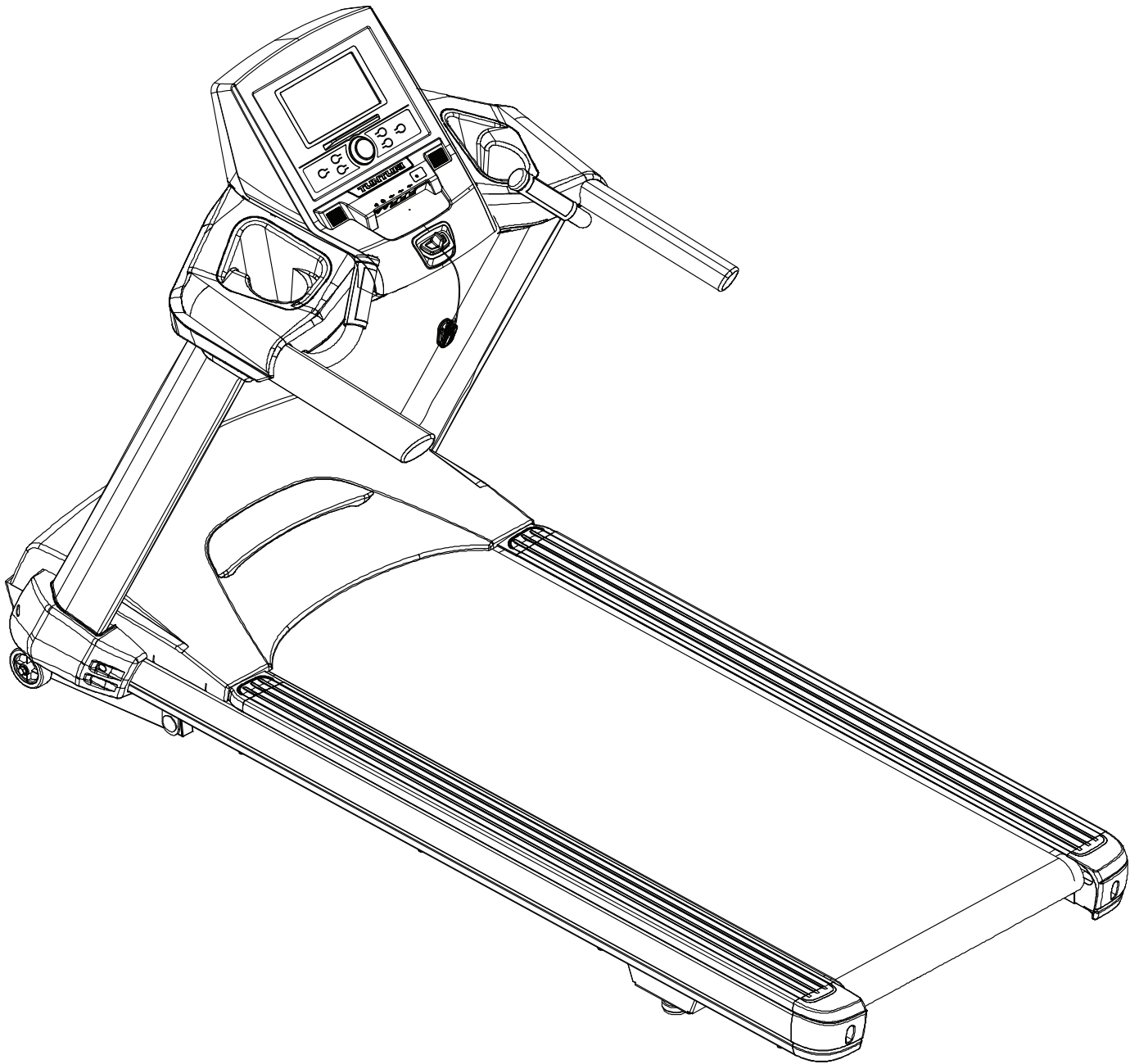


**Attention, Achtung, Attention, Attentie, Atención, Giv akt, Huomio**

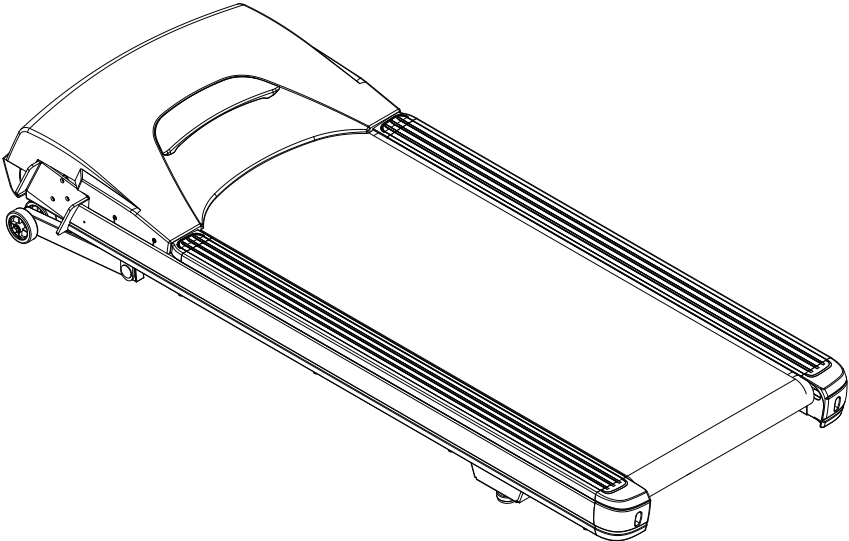
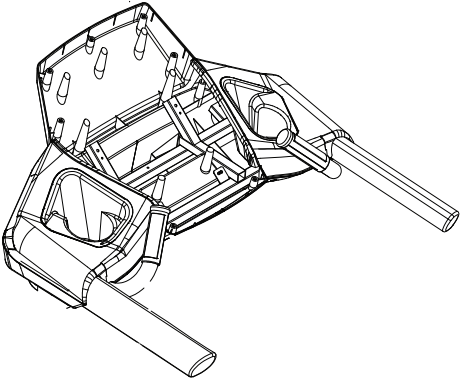
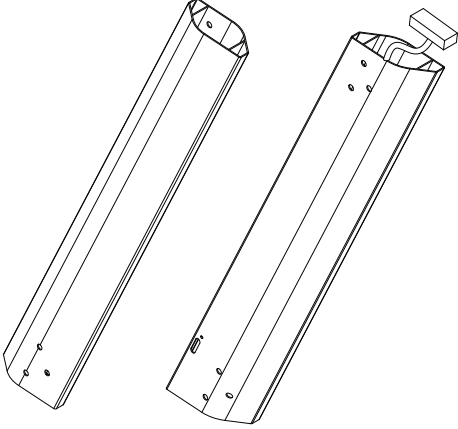
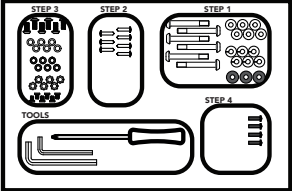
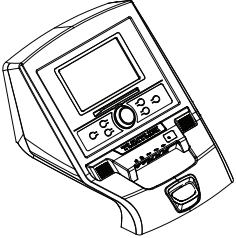

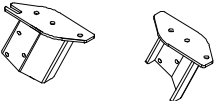



- Please read this Owner's manual before assembling this product.
- Bitte lesen Sie dieses Handbuch durch, bevor Sie mit er Montage dieses Produkts beginnen.
- Veuillez lire ce manuel avant de commencer le montage de ce produit.
- Leest u deze handleiding voordat u dit apparaat installeert.
- Lea este manual antes de montar este producto
- Läs bruksanvisningen innan du monterar denna produkt
- Lue tämä käsikirja ennen kokoamista tuotetta



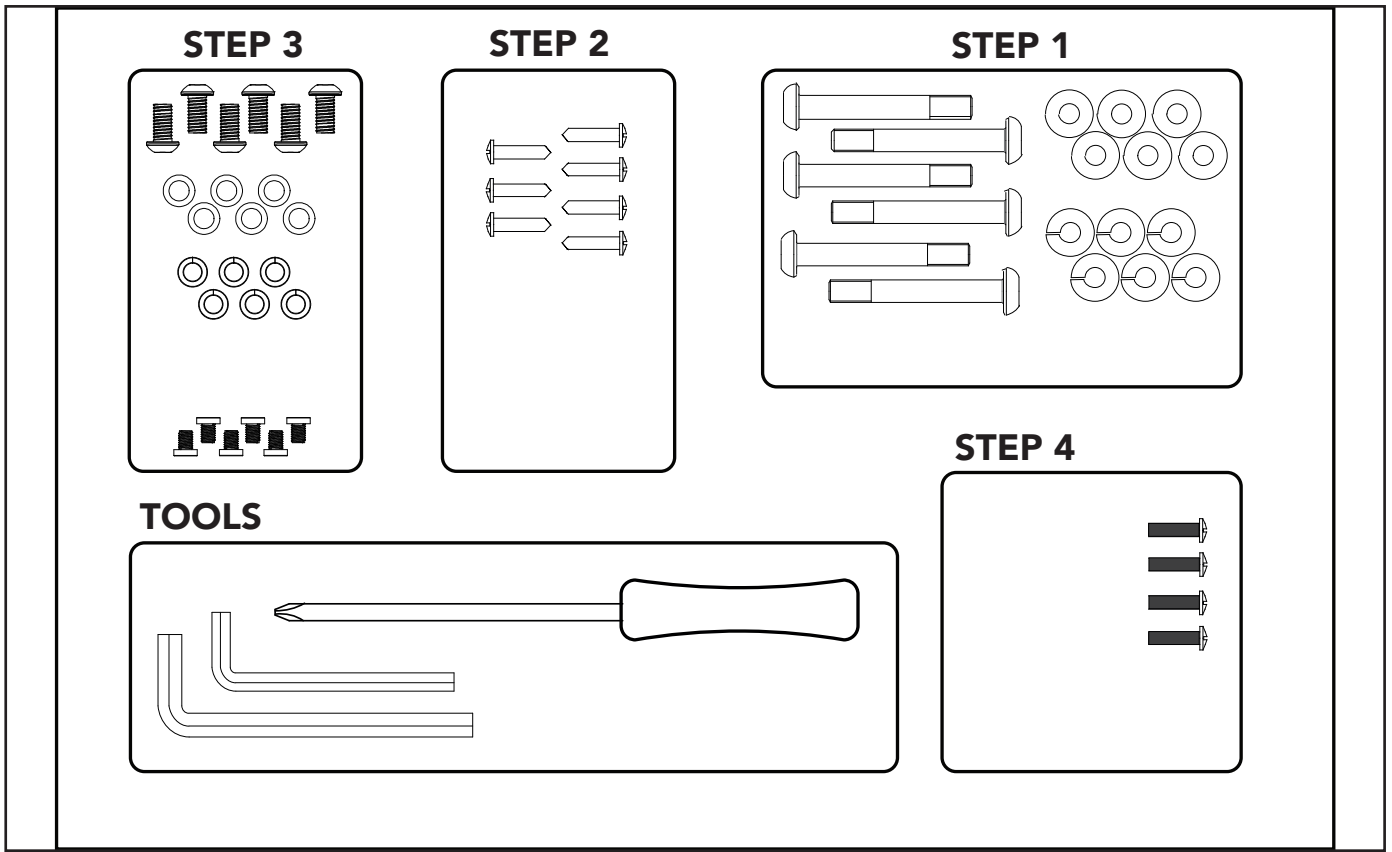
A



**B**

	<p>1</p>
	<p>1</p>
	<p>1/1</p>
	<p>1</p>
	<p>1</p>
	<p>1/1</p>
	<p>1/1</p>
	<p>1/1</p>
	<p>1</p>
	<p>1</p>
<div data-bbox="906 1944 1166 2085" style="border: 1px solid black; padding: 5px; width: fit-content;"> <p>User manual</p> </div>	<p>1</p>

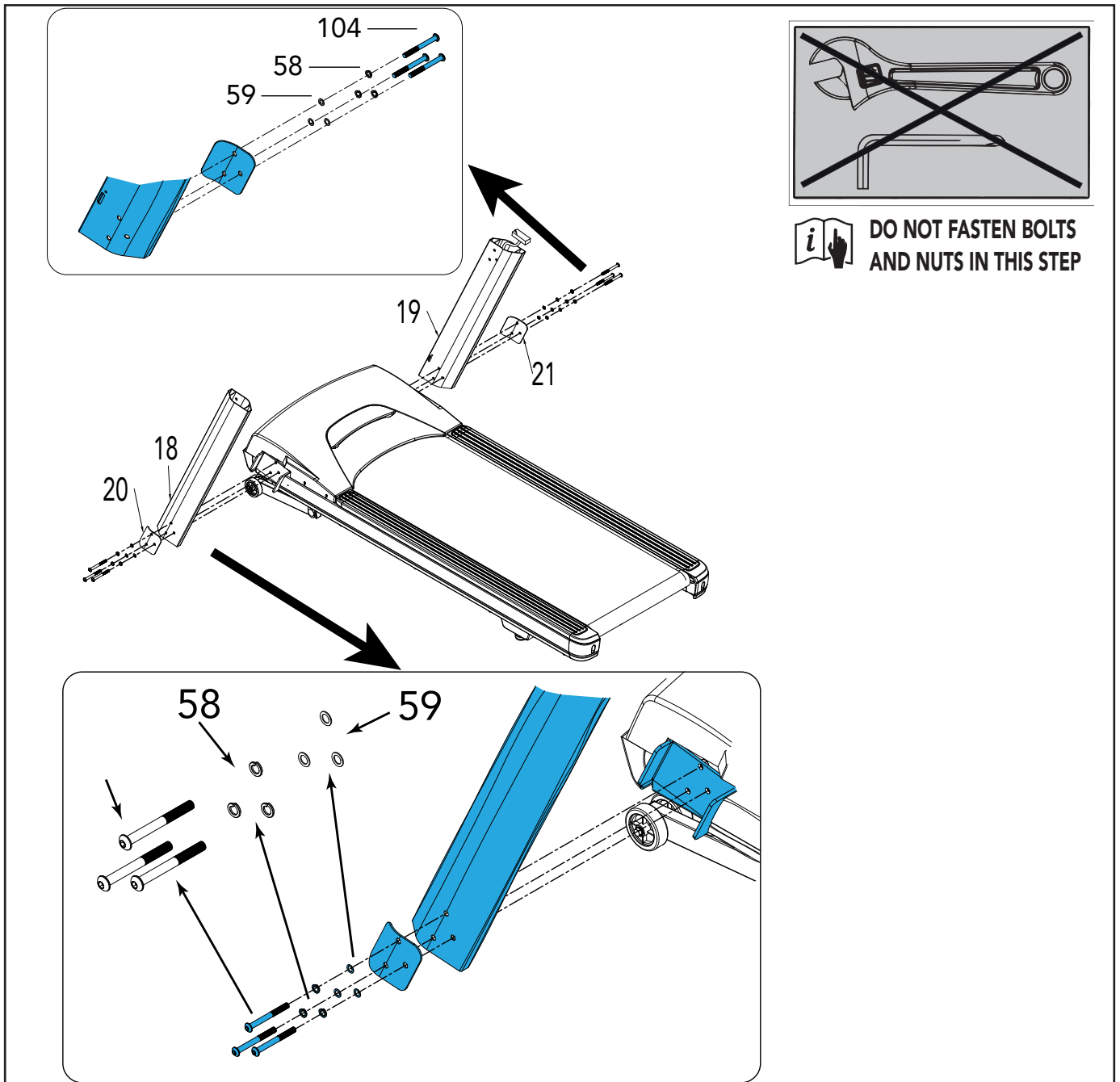
C



D-0

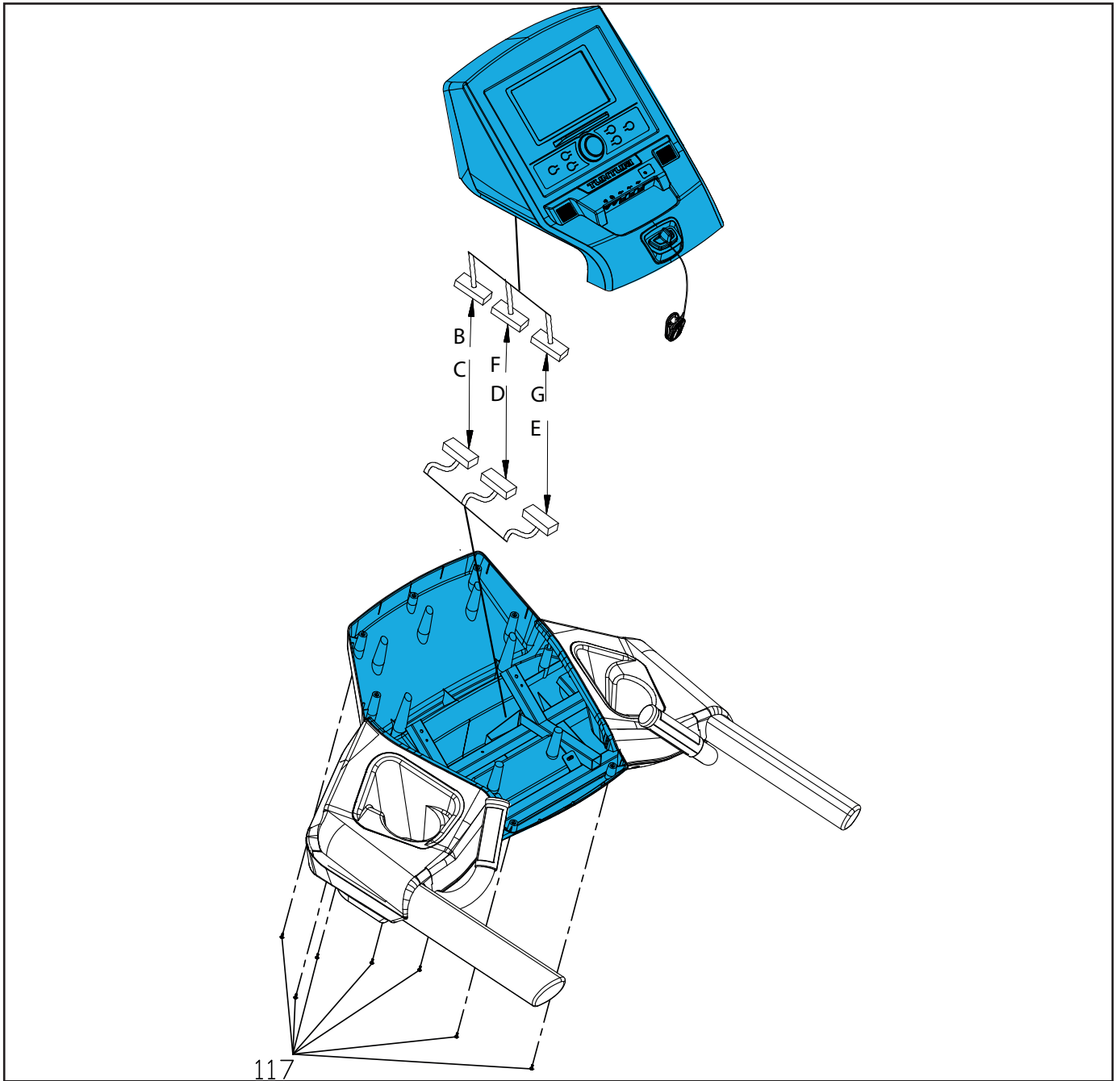


# D-1



<p><b># 58:</b> Ø10x2.0T    <b>6pcs</b> Split washer</p> <p><b># 59:</b> Ø3/8"x25x2T    <b>6pcs</b> Flat washer</p> <p><b>#104:</b> 3/8"x3-3/4"L    <b>6pcs</b> Button head socket bolt</p>	<table border="1"> <tr> <td data-bbox="742 1628 925 1904"> <p><b>STEP 3</b></p> </td> <td data-bbox="925 1628 1109 1904"> <p><b>STEP 2</b></p> </td> <td data-bbox="1109 1628 1495 1904"> <p><b>STEP 1</b></p> </td> </tr> <tr> <td colspan="3" data-bbox="742 1904 1495 2116"> <p><b>TOOLS</b></p> </td> </tr> </table>	<p><b>STEP 3</b></p>	<p><b>STEP 2</b></p>	<p><b>STEP 1</b></p>	<p><b>TOOLS</b></p>		
<p><b>STEP 3</b></p>	<p><b>STEP 2</b></p>	<p><b>STEP 1</b></p>					
<p><b>TOOLS</b></p>							

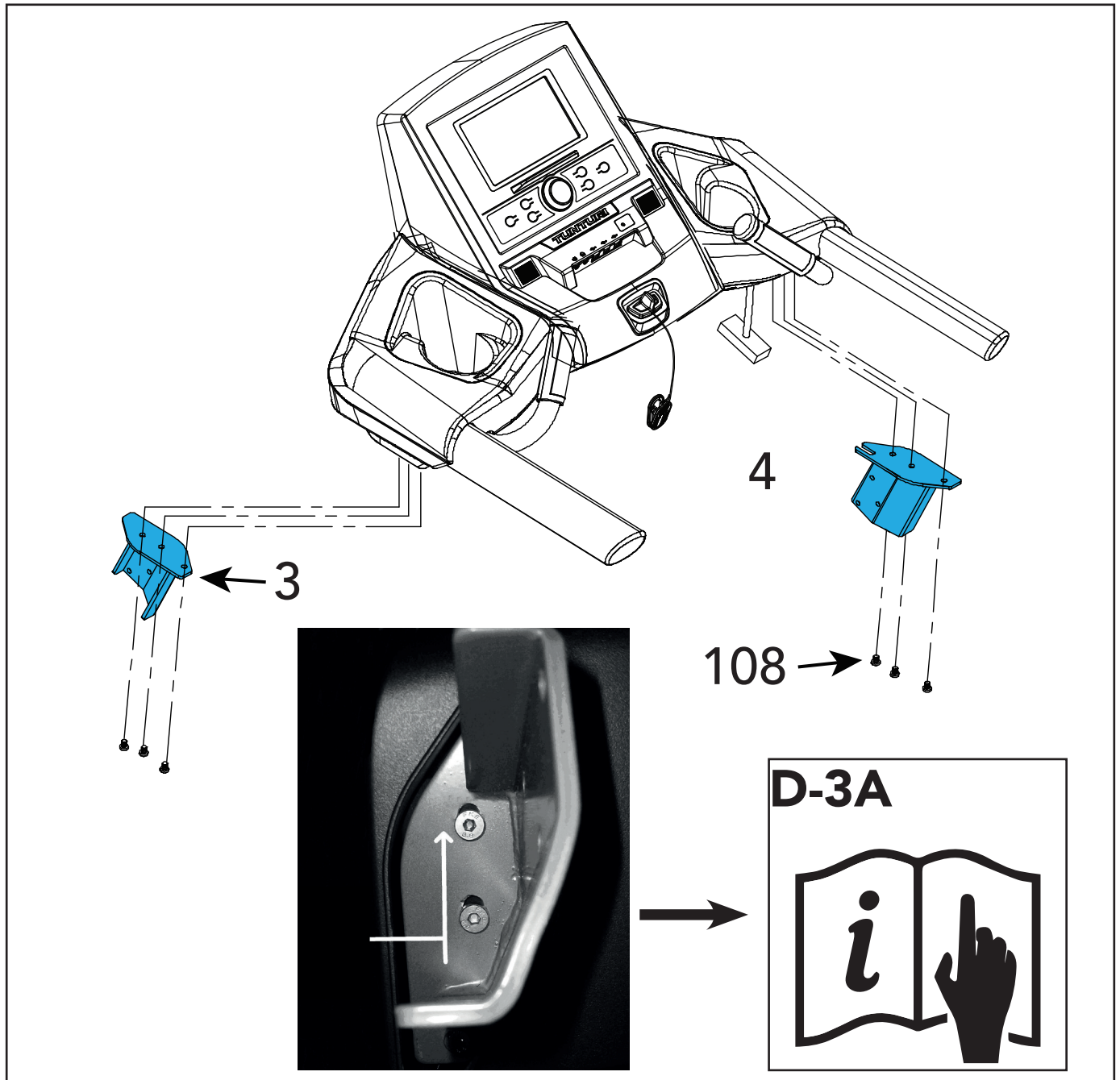
# D-2



**#117: Ø3,5 x 12L 7pcs**  
Sheet metal screw

<p><b>STEP 3</b></p>	<p><b>STEP 2</b></p>	<p><b>STEP 1</b></p>	
<p><b>TOOLS</b></p>			<p><b>STEP 4</b></p>

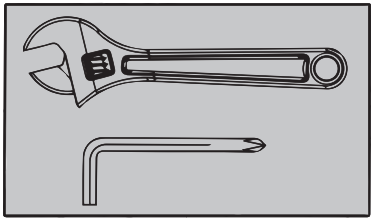
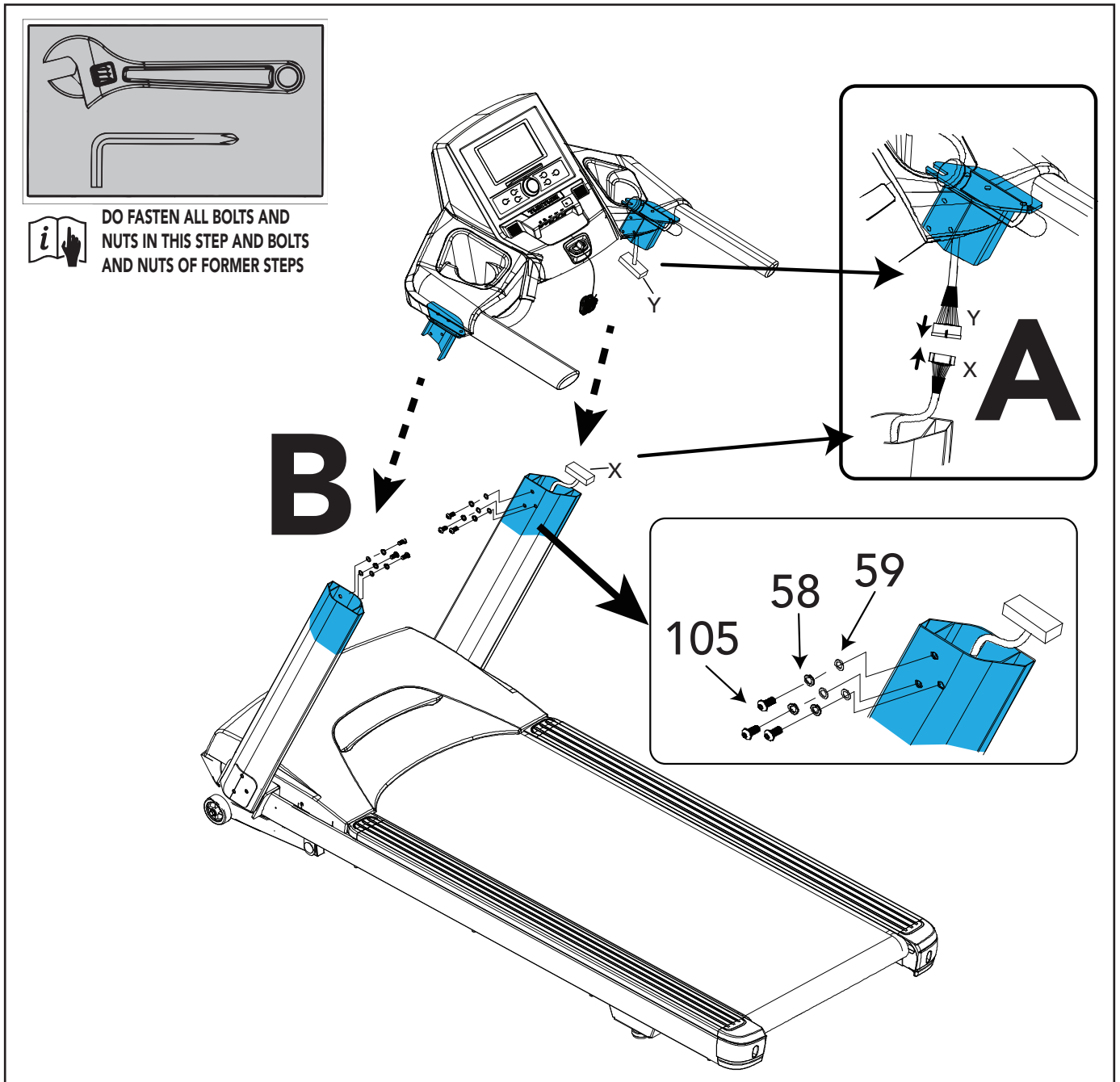
# D-3A



<p><b>#108: M8x12L</b>      <b>6pcs</b> Socket head cap bolt</p>	<table border="1"> <tr> <td data-bbox="782 1646 925 1904"> <p><b>STEP 3</b></p> </td> <td data-bbox="965 1646 1109 1904"> <p><b>STEP 2</b></p> </td> <td data-bbox="1149 1646 1292 1904"> <p><b>STEP 1</b></p> </td> </tr> <tr> <td colspan="3" data-bbox="782 1915 1292 2083"> <p><b>TOOLS</b></p> </td> <td data-bbox="1252 1915 1428 2083"> <p><b>STEP 4</b></p> </td> </tr> </table>	<p><b>STEP 3</b></p>	<p><b>STEP 2</b></p>	<p><b>STEP 1</b></p>	<p><b>TOOLS</b></p>			<p><b>STEP 4</b></p>
<p><b>STEP 3</b></p>	<p><b>STEP 2</b></p>	<p><b>STEP 1</b></p>						
<p><b>TOOLS</b></p>			<p><b>STEP 4</b></p>					

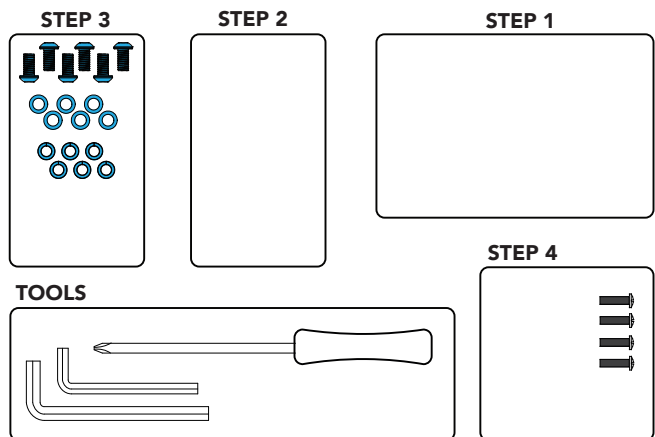


# D-3B

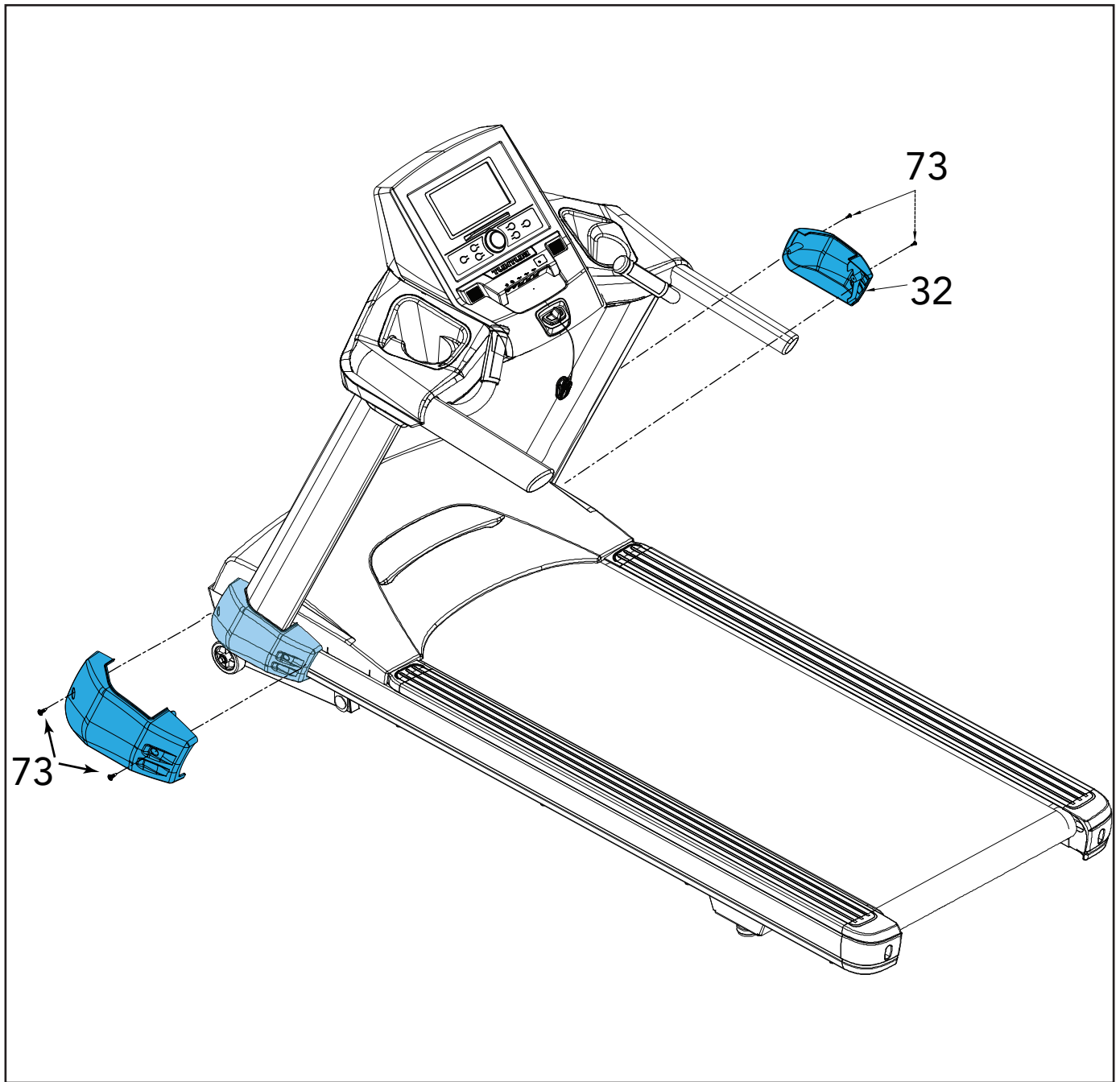


**i** DO FASTEN ALL BOLTS AND NUTS IN THIS STEP AND BOLTS AND NUTS OF FORMER STEPS

- # 58: Ø10x2.0T 6pcs  
Split washer
- # 59: Ø3/8"x25x2T 6pcs  
Flat washer
- #105: 3/8"x3/4"L 6pcs  
Button head socket bolt



# D-4



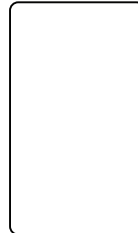
# 73: M5x12L  
Phillips head screw

4pcs

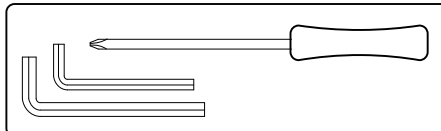
STEP 3

STEP 2

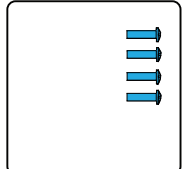
STEP 1



TOOLS



STEP 4



# E-01



# E-02



E-03



E-07



E-04



E-08



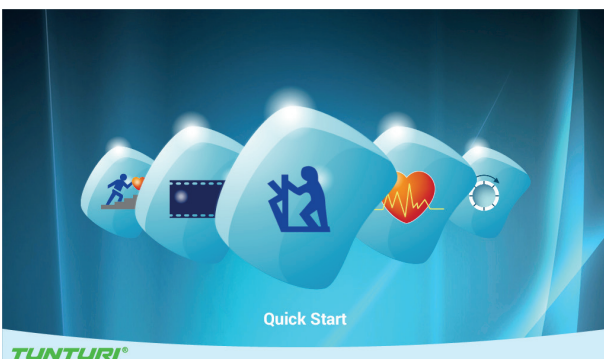
E-05



E-09



E-06



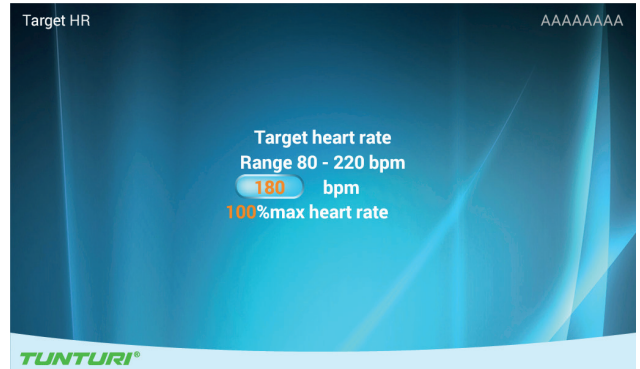
E-10



E-11



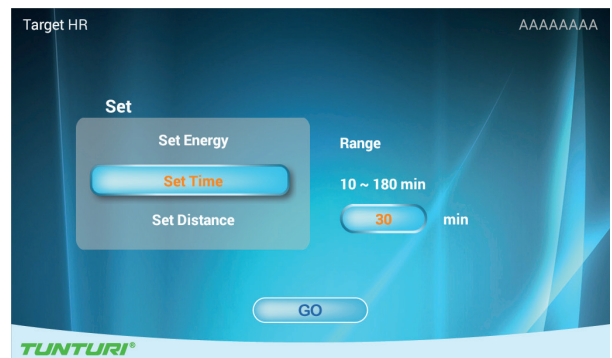
E-15



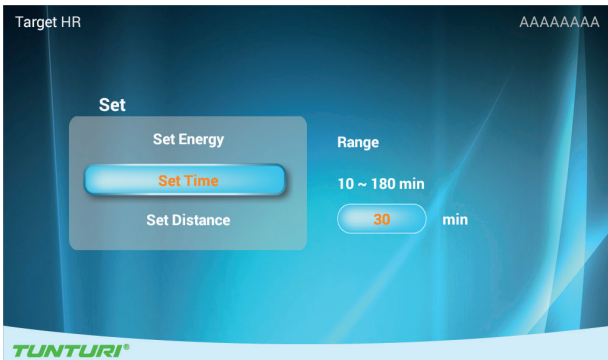
E-12



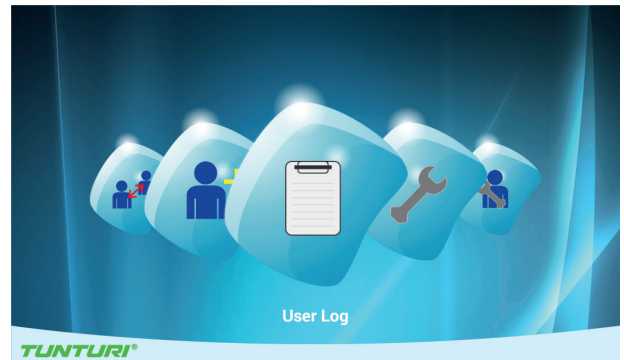
E-16



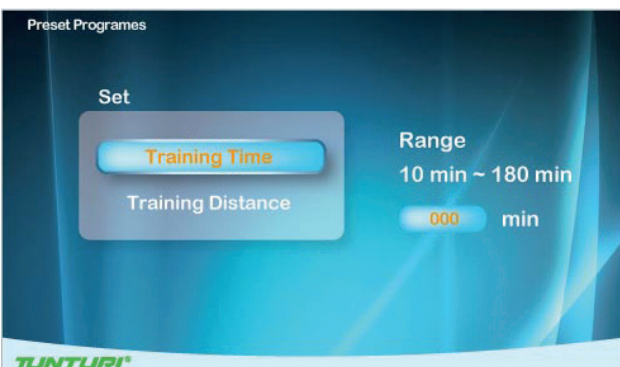
E-13



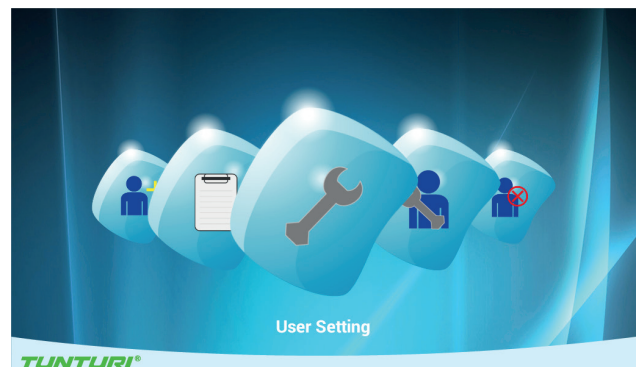
E-17



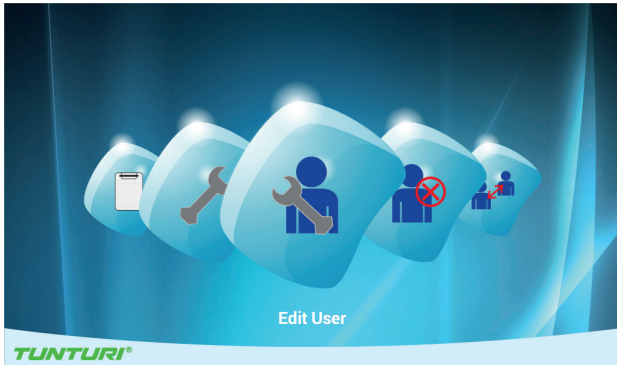
E-14



E-18



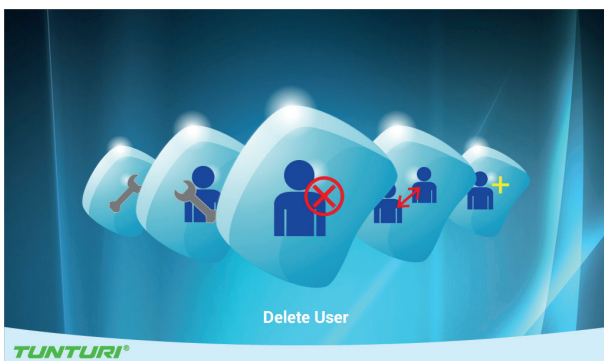
E-19



E-23



E-20



E-24



E-21



E-25

Last Session:	
Distance:	1.32 km
Training Time:	00:10:11
Max Speed:	8.0 km/h
Average Speed:	8.0 km/h
Max HR:	0 bpm
Average HR:	0 bpm
Energy Expenditure:	123 kcal

E-22



E-26



E-27



E-31

Create User

Name: -----

Units: Metric

Display: Count Up

Gender: Male

Age: 40 Years

Height: 175 cm

Weight: 70 kg

Max HR: 180 bpm

Save and Exit

TUNTURI®

E-28

Quick Start

AAAAA

Continue

Exit

Save and Exit

TUNTURI®

E-32

Create User

User memory full,  
Please Delete User.

TUNTURI®

E-29



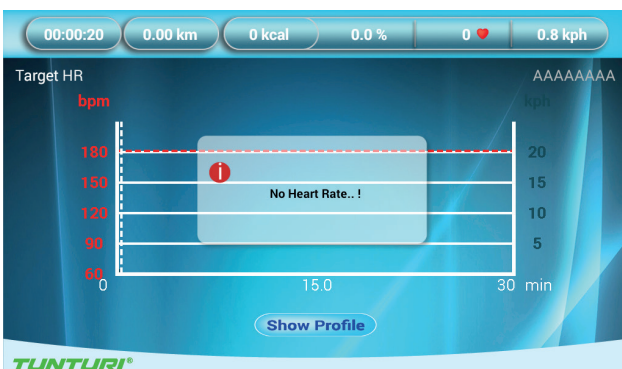
E-33

Edit User

No User Selected  
Change User First

TUNTURI®

E-30



E-34

Edit User

AAAAA

Name: AAAAAAA

Units: Metric

Display: Count Up

Gender: Male

Age: 40 Years

Height: 175 cm

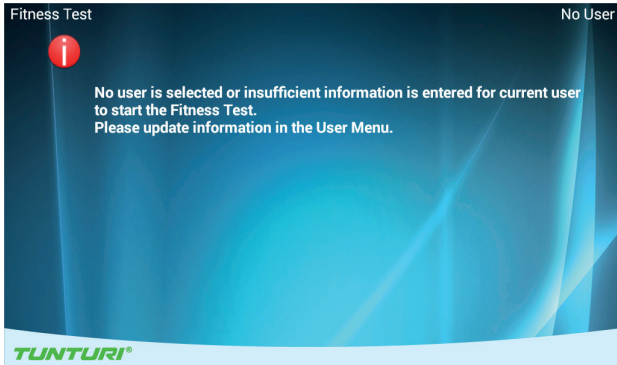
Weight: 70 kg

Max HR: 180 bpm

Save and Exit

TUNTURI®

E-35



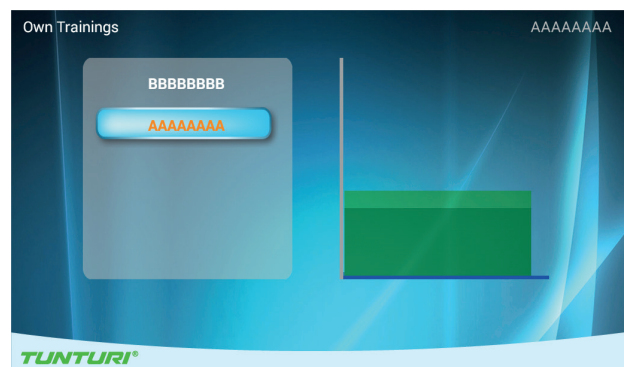
E-39



E-36



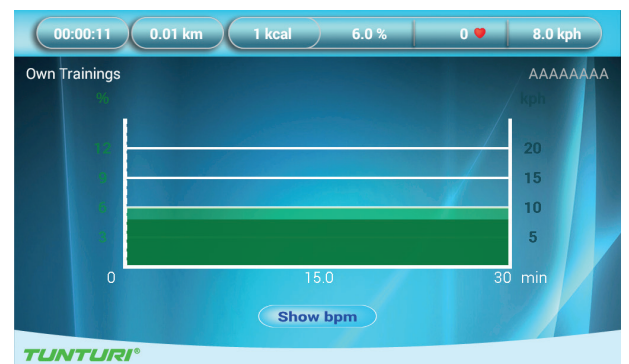
E-40



E-37

Last Session:	
Distance:	0.0 km
Training Time:	00:00:00
Max Speed:	0.0 km/h
Average Speed:	0.0 km/h
Max HR:	0 bpm
Average HR:	0 bpm
Energy Expenditure:	0 kcal

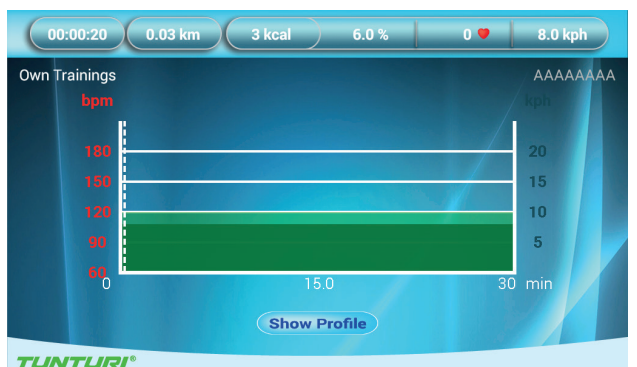
E-41



E-38

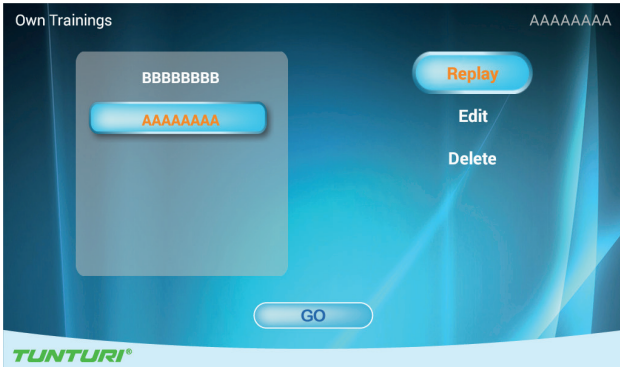
Last Session:	
Distance:	0.0 km
Training Time:	00:00:00
Max Speed:	0.0 km/h
Average Speed:	0.0 km/h
Max HR:	0 bpm
Average HR:	0 bpm
Energy Expenditure:	0 kcal

E-42





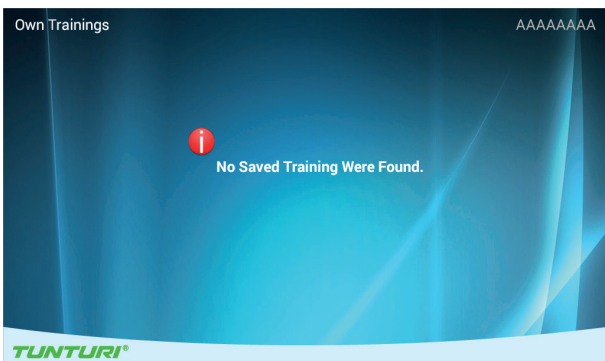
E-43



E-47



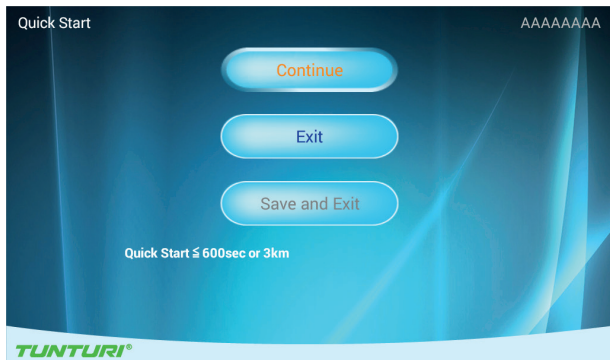
E-44



E-48



E-45



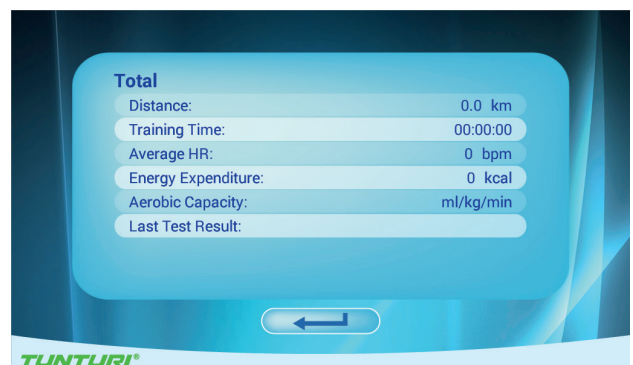
E-49



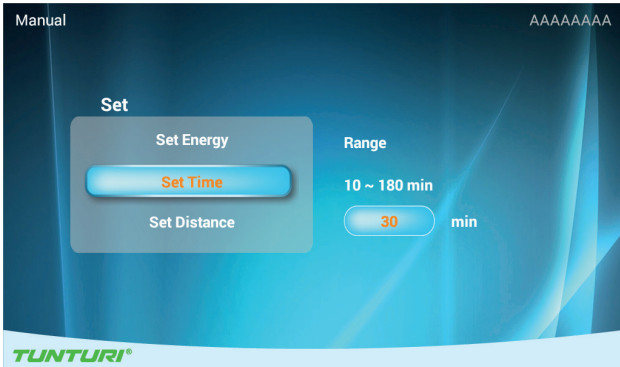
E-46



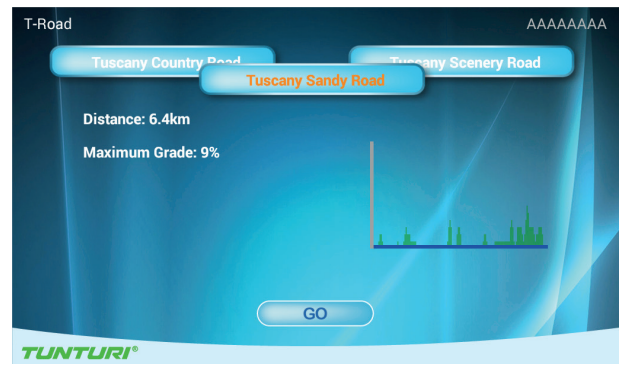
E-50



E-51



E-55



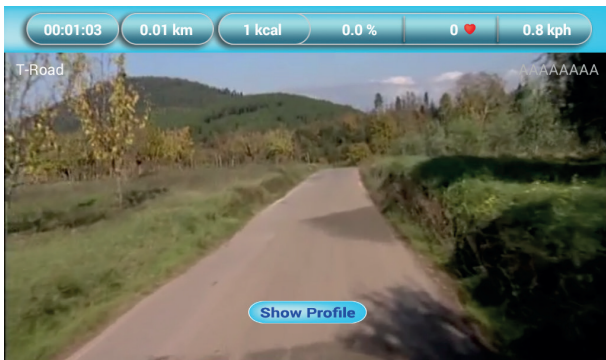
E-52



E-56



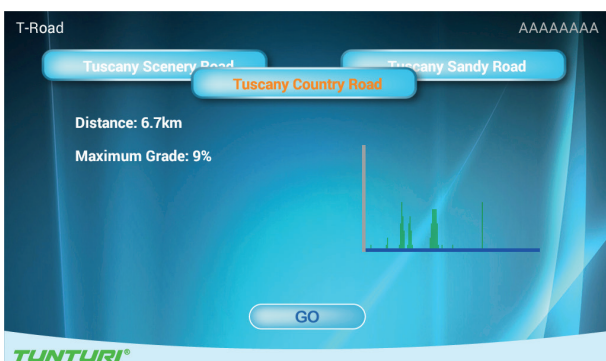
E-53



E-57



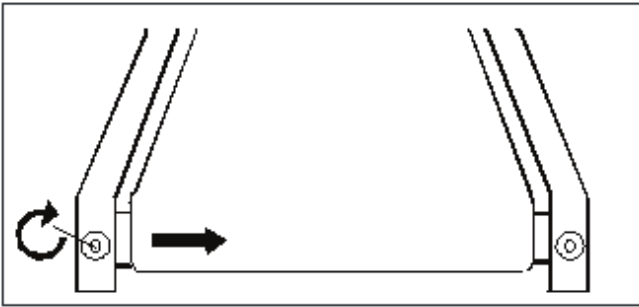
E-54



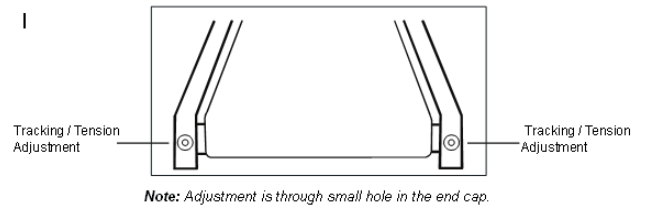
E-58



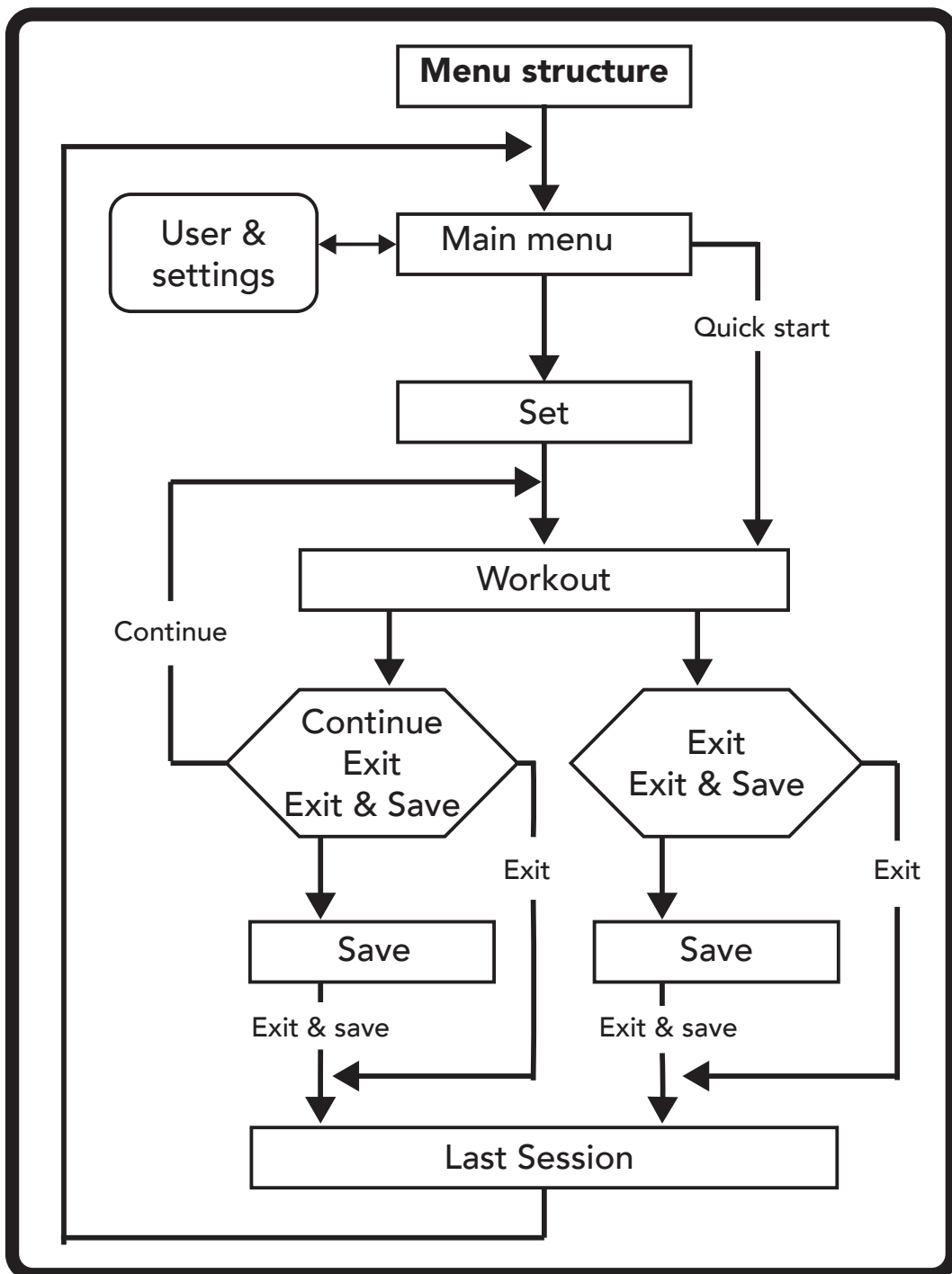
E-59



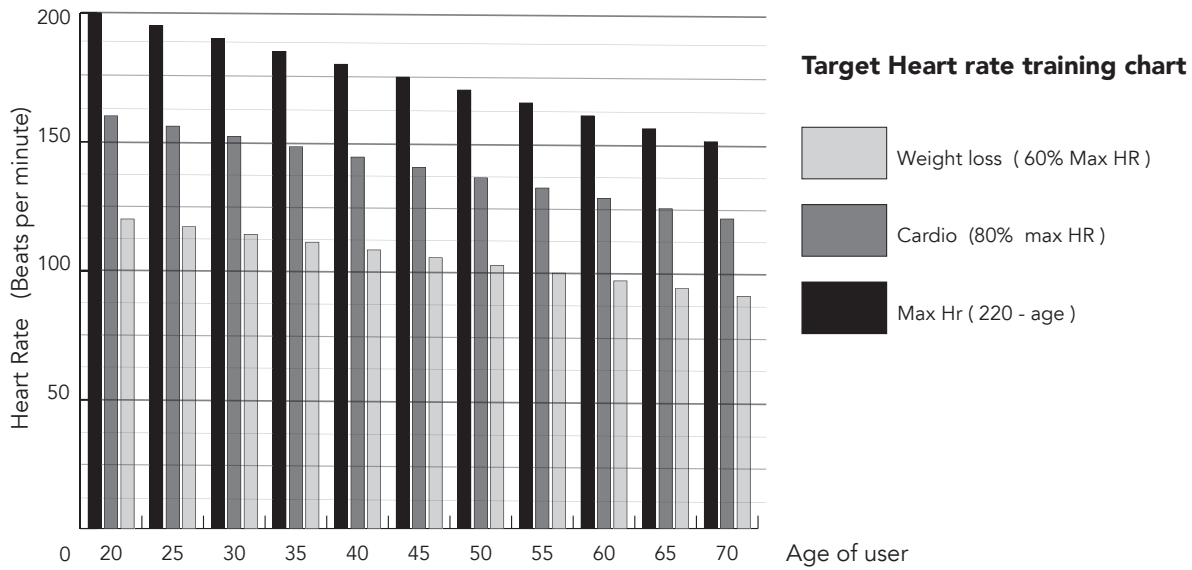
E-60



E-61



**E-62**



**E-63**

<b>MEN / OXEYGEN UPTAKE VO2MAX</b>							
<b>1= VERY POOR 7= EXCELLENT</b>							
<b>AGE</b>	<b>1</b>	<b>2</b>	<b>3</b>	<b>4</b>	<b>5</b>	<b>6</b>	<b>7</b>
18-19	<33	33-38	39-44	45-51	52-57	58-63	>63
20-24	<32	32-37	38-43	44-50	51-56	57-62	>62
25-29	<31	31-35	36-42	43-48	49-53	54-59	>59
30-34	<29	29-34	35-40	41-45	46-51	52-56	>56
35-39	<28	28-32	33-38	39-43	44-48	49-54	>54
40-44	<26	26-31	32-35	36-41	42-46	47-51	>51
45-49	<25	25-29	30-34	35-39	40-43	44-48	>48
50-54	<24	24-27	28-32	33-36	37-41	42-46	>46
55-59	<22	22-26	27-30	31-34	35-39	40-43	>43
60-65	<21	21-24	25-28	29-32	33-36	37-40	>40

<b>WOMEN / OXEYGEN UPTAKE VO2MAX</b>							
<b>1= VERY POOR 7= EXCELLENT</b>							
<b>AGE</b>	<b>1</b>	<b>2</b>	<b>3</b>	<b>4</b>	<b>5</b>	<b>6</b>	<b>7</b>
18-19	<28	28-32	33-37	38-42	43-47	48-52	>52
20-24	<27	27-31	32-36	37-41	42-46	47-51	>51
25-29	<26	26-30	31-35	36-40	41-44	45-49	>49
30-34	<25	25-29	30-33	34-37	38-42	43-46	>46
35-39	<24	24-27	28-31	32-35	36-40	41-44	>44
40-44	<22	22-25	26-29	30-33	34-37	38-41	>41
45-49	<21	21-23	24-27	28-31	32-35	36-38	>38
50-54	<19	19-22	23-25	26-29	30-32	33-36	>36
55-59	<18	18-20	21-23	24-27	28-30	31-33	>33
60-65	<16	16-18	19-21	22-24	25-27	28-30	>30

## Index

<b>Treadmill</b> .....	<b>21</b>
<b>Safety warnings</b> .....	<b>21</b>
Electrical safety	22
Description (FIG. A)	22
Package contents (FIG. B & C)	22
Assembly (FIG. D)	22
Fasten Nuts and Bolts	23
<b>Workouts</b> .....	<b>23</b>
Exercise Instructions	23
Heart rate	24
<b>Use</b> .....	<b>24</b>
<b>Console (FIG. F)</b> .....	<b>25</b>
Jog wheel and Buttons	25
Safety Key (FIG. E-1)	25
Start up screen	26
General workout screen	26
<b>Programs</b> .....	<b>26</b>
Quick start	26
End your workout	26
Target heart rate	26
Manual...	27
Preset Programs	27
Own Trainings	27
Fitness test	28
T-Road ...	28
<b>User settings</b> .....	<b>29</b>
User Log	29
User Setting	29
Edit User	29
Delete User	30
Change User	30
Create User	30
<b>Warranty</b> .....	<b>30</b>
<b>Cleaning and maintenance</b> .....	<b>31</b>
<b>Troubleshooting</b> .....	<b>32</b>
<b>Transport and storage</b> .....	<b>32</b>
<b>Technical data</b> .....	<b>32</b>
<b>Declaration of the manufacturer</b> .....	<b>32</b>
<b>Disclaimer</b> .....	<b>32</b>

## Treadmill

Welcome to the world of Tunturi!

Thank you for purchasing this piece of Tunturi equipment. Tunturi offers a wide range of home fitness equipment, including crosstrainers, treadmills, exercise bikes and rowers. The Tunturi equipment is suitable for the entire family, no matter what fitness level. For more information, please visit our website [www.tunturi.com](http://www.tunturi.com)

### Important Safety Instructions

This Owner's Manual is an essential part of your training equipment: reading all instructions in this manual before you start using this appliance. The following precautions must always be followed:

## Safety warnings



### WARNING

- Read the safety warnings and the instructions. Failure to follow the safety warnings and the instructions can cause personal injury or damage to the equipment. Keep the safety warnings and the instructions for future reference.
- The equipment is suitable for domestic use only. The equipment is not suitable for commercial use.
- The use of this equipment by children or persons with a physical, sensory, mental or motorial disability, or lack of experience and knowledge can give cause to hazards. Persons responsible for their safety must give explicit instructions or supervise the use of the equipment.
- Before starting your workout, consult a physician to check your health.
- If you experience nausea, dizziness or other abnormal symptoms, immediately stop your workout and consult a physician.
- To avoid muscular pain and strain, start each workout by warming up and finish each workout by cooling down. Remember to stretch at the end of the workout.
- The equipment is suitable for indoor use only. The equipment is not suitable for outdoor use.
- Only use the equipment in environments with adequate ventilation. Do not use the equipment in draughty environments in order not to catch a cold.
- Only use the equipment in environments with ambient temperatures between 10 °C and 35 °C. Only store the equipment in environments with ambient temperatures between 5 °C and 45 °C.
- Do not use or store the equipment in humid surroundings. The air humidity must never be more than 80%.
- Only use the equipment for its intended purpose. Do not use the equipment for other purposes than described in the manual.

- Do not use the equipment if any part is damaged or defective. If a part is damaged or defective, contact your dealer.
- Keep your hands, feet and other body parts away from the moving parts.
- Keep your hair away from the moving parts.
- Wear appropriate clothing and shoes.
- Keep clothing, jewelry and other objects away from the moving parts.
- Make sure that only one person uses the equipment at a time. The equipment must not be used by persons weighing more than 150 kg (330 lbs).
- Do not open equipment without consulting your dealer.

## Electrical safety

(Only for equipment with electric power)

- Before use, always check that the mains voltage is the same as the voltage on the rating plate of the equipment.
- Do not use an extension cable.
- Keep the mains cable away from heat, oil and sharp edges.
- Do not alter or modify the mains cable or the mains plug.
- Do not use the equipment if the mains cable or the mains plug is damaged or defective. If the mains cable or the mains plug is damaged or defective, contact your dealer.
- Always fully unwind the mains cable.
- Do not run the mains cable underneath the equipment. Do not run the mains cable underneath a carpet. Do not place any objects on the mains cable.
- Make sure that the mains cable does not hang over the edge of a table.
- Make sure that the mains cable cannot be caught accidentally or tripped over.
- Do not leave the equipment unattended when the mains plug is inserted into the wall socket.
- Do not pull the mains cable to remove the mains plug from the wall socket.
- Remove the mains plug from the wall socket when the equipment is not in use, before assembly or disassembly and before cleaning and maintenance.



### CAUTION

- If voltage varies by ten percent (10%) or more, the performance of your treadmill may be affected. Such conditions are not covered under your warranty. If you suspect the voltage is low, contact your local power company or a licensed electrician for proper testing.



### CAUTION

- NEVER use a RCD - Residual Current Device (U.S. ver.= GFCI) - wall outlet with this treadmill. As with any appliance with a large motor, the RCD/GFCI will trip often. Route the power mains cord away from any moving part of the treadmill including the elevation mechanism and transport wheels.

## Grounding Instructions

This product must be grounded. If the treadmill's electrical system should malfunction or breakdown grounding provides a path of least resistance for electric current, reducing the risk of electric shock. This product is equipped with a cord having an equipment-grounding plug. The plug must be plugged into an appropriate outlet that is properly installed and grounded in accordance with all local codes and ordinances.



### WARNING

- Improper connection of the equipment-grounding conductor can result in a risk of electric shock. Check with a qualified electrician or serviceman if you are in doubt as to whether the product is properly grounded. Do not modify the plug provided with the product if it will not fit the outlet; have a proper outlet installed by a qualified electrician.

## Description (FIG. A)

Your treadmill is a piece of stationary fitness equipment used to simulate walking or running without causing excessive pressure to the joints.

## Package contents (FIG. B & C)

- The package contains the parts as shown in fig. B.
- The package contains the fasteners as shown in fig. C. Refer to the section "Description"



### NOTE

- If a part is missing, contact your dealer.

## Assembly (FIG. D)



### WARNING

- Assemble the equipment in the given order.
- Carry and move the equipment with at least two persons.



### CAUTION

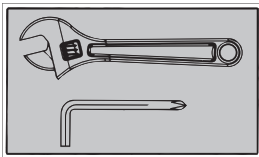
- Place the equipment on a firm, level surface.
- Place the equipment on a protective base to prevent damage to the floor surface.
- Allow at least 100 cm of clearance around the equipment.
- Refer to the illustrations for the correct assembly of the equipment.



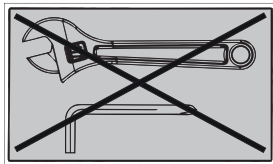
### Assembly note (FIG. D-3A)

- Position mounting brackets (3 & 4) all the way to the back of the console, then tighten the screws.

## Fasten Nuts and Bolts



Securely tighten all Nuts and Bolts after all components have been assembled in current and previous steps.



Do not tighten all Nuts and Bolts in this step.



### NOTE

- Save the tools provided with this product, after you completed the product assembly, for future service purposes.

## Workouts

The workout must be suitably light, but of long duration. Aerobic exercise is based on improving the body's maximum oxygen uptake, which in turn improves endurance and fitness. You should perspire, but you should not get out of breath during the workout.

To reach and maintain a basic fitness level, exercise at least three times a week, 30 minutes at a time. Increase the number of exercise sessions to improve your fitness level. It is worthwhile to combine regular exercise with a healthy diet. A person committed to dieting should exercise daily, at first 30 minutes or less at a time, gradually increasing the daily workout time to one hour. Start your workout at low speed and low resistance to prevent the cardiovascular system from being subjected to excessive strain.

As the fitness level improves, speed and resistance can be increased gradually. The efficiency of your exercise can be measured by monitoring your heart rate and your pulse rate.

## Exercise Instructions

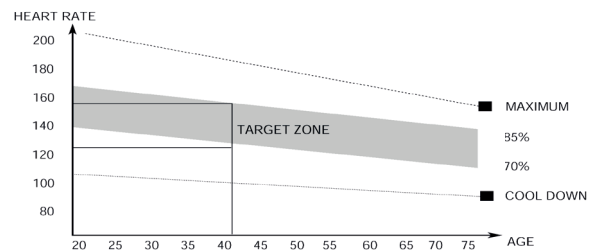
Using your fitness trainer will provide you with several benefits, it will improve your physical fitness, tone muscle and in conjunction with a calorie controlled diet help you lose weight.

### The warming up phase

This stage helps get the blood flowing around the body and the muscles working properly. It will also reduce the risk of cramp and muscle injury. It is advisable to do a few stretching exercises as shown below. Each stretch should be held for approximately 30 seconds, do not force or jerk your muscles into a stretch - if it hurts, STOP

### The exercise phase

This is the stage where you put the effort in. After regular use, the muscles in your legs will become more flexible. Work to your but it is very important to maintain a steady tempo throughout. The rate of work should be sufficient to raise your heart beat into the target zone shown on the graph below.



This stage should last for a minimum of 12 minutes though most people start at about 15-20 minutes

### The cool down phase

This stage is to let your Cardiovascular System and muscles wind down. This is a repeat of the warm up exercise e.g. reduce your tempo, continue for approximately 5 minutes. The stretching exercises should now be repeated, again remembering not to force or jerk your muscles into the stretch.

As you get fitter you may need to train longer and harder. It is advisable to train at least three times a week, and if possible space your workouts evenly throughout the week.

### Muscle toning

To tone muscle while on your fitness trainer you will need to have the resistance set quite high. This will put more strain on our leg muscles and may mean you cannot train for as long as you would like. If you are also trying to improve your fitness you need to alter your training program. You should train as normal during the warm up and cool down phases, but towards the end of the exercise phase you should increase resistance making your legs work harder. You will have to reduce your speed to keep your heart rate in the target zone.

## Weight loss

The important factor here is the amount of effort you put in. The harder and longer you work the more calories you will burn. Effectively this is the same as if you were training to improve your fitness, the difference is the goal.

## Heart rate

---

### Pulse rate measurement (hand pulse sensors)

The pulse rate is measured by sensors in the handlebars when the user is touching both sensors at the same time. Accurate pulse measurement requires that the skin is slightly moist and constantly touching the hand pulse sensors. If the skin is too dry or too moist, the pulse rate measurement will become less accurate.



#### NOTE

- Do not use the hand pulse sensors in combination with a heart rate chest belt.
- If you set a heart rate limit for your workout, an alarm will sound when it is exceeded.

### Heart rate measurement (heart rate chest belt)

The most accurate heart rate measurement is achieved with a heart rate chest belt. The heart rate is measured by a heart rate receiver in combination with a heart rate transmitter belt. Accurate heart measurement requires that the electrodes on the transmitter belt are slightly moist and constantly touching the skin. If the electrodes are too dry or too moist, the heart rate measurement will become less accurate.



#### WARNING

- If you have a pacemaker, consult a physician before using a heart rate chest belt.



#### CAUTION

- If there are several heart rate measurement devices next to each other, make sure that the distance between them is at least 1.5 metres.
- If there is only one heart rate receiver and several heart rate transmitters, make sure that only one person with a transmitter is within transmission range.



#### NOTE

- Do not use a heart rate chest belt in combination with the hand pulse sensors.
- Always wear the heart rate chest belt under your clothes directly in contact with your skin. Do not wear the heart rate chest belt above your clothes. If you wear the heart rate chest belt above your clothes, there will be no signal.

- If you set a heart rate limit for your workout, an alarm will sound when it is exceeded.
- The transmitter transmits the heart rate to the console up to a distance of 1 metre. If the electrodes are not moist, the heart rate will not appear on the display.
- Some fibers in clothes (e.g. polyester, polyamide) create static electricity which can prevent accurate heart rate measurement.
- Mobile phones, televisions and other electrical appliances create an electromagnetic field which can prevent accurate heart rate measurement.

### Maximum heart rate (during training)

The maximum heart rate is the highest heart rate a person can safely achieve through exercise stress. The following formula is used to calculate the average maximum heart rate:  $220 - \text{AGE}$ . The maximum heart rate varies from person to person.



#### WARNING

- Make sure that you do not exceed your maximum heart rate during your workout. If you belong to a risk group, consult a physician.

### Beginner 50-60% of maximum heart rate

Suitable for beginners, weight-watchers, convalescents and persons who have not exercised for a long time. Exercise at least three times a week, 30 minutes at a time.

### Advanced 60-70% of maximum heart rate

Suitable for persons who want to improve and maintain fitness. Exercise at least three times a week, 30 minutes at a time.

### Expert 70-80% of maximum heart rate

Suitable for the fittest of persons who are used to long-endurance workouts.

## Use

---

### Master power switch (FIG. E-2)

The equipment is equipped with a master power switch to shut down the equipment completely.

#### To start the equipment:

- Insert the mains plug into the equipment.
- Insert the mains plug into the wall socket.
- Set the master power switch to the on position.



**To stop the equipment:**

- Set the mains power switch to the off position.
- Remove the mains plug from the wall socket.
- Remove the mains plug from the equipment.

**Safety key (FIG. E-1)**

The equipment is equipped with a safety key that must be properly inserted into the console to start the equipment. If you remove the safety key from the console, the equipment will stop immediately.

- Insert the safety key into the slot in the console.
- Make sure that the clip of the safety key is properly attached to your clothing.  
Make sure that the clip is not removed from your clothing before the safety key is removed from the console.

**Circuit breaker (FIG. E-2)**

The equipment is equipped with a circuit breaker that interrupts the circuit when the electricity load is above the maximum capacity. When this occurs, the circuit breaker must be pressed.

**WARNING**

- Before pressing the circuit breaker, remove the mains plug from the equipment.

If the equipment shuts down, proceed as follows to restart the equipment:

- Remove the mains plug from the equipment.
- Press the circuit breaker to restart the equipment.
- Insert the mains plug into the equipment.

**Console (FIG. F)****CAUTION**

- Keep the console away from direct sunlight.
- Dry the surface of the console when it is covered with drops of sweat.
- Do not lean on the console.

**NOTE**

- The console switches to standby mode when the equipment is not used for 4 minutes. If the console is in standby mode, the display shows the room temperature

**Jog wheel and Buttons****Back, Stop button:**

- Move back to previous window
- Stop the active training

**User/Settings:**

- Press this button to enter User/Setting mode screen
- This button is of no use during workout

**Speed +**

Increases the speed(0.5 to 22Kph).

Pressing once increases the speed 0.1 kph.

Pressing and holding for two seconds will increase the speed faster.

**Speed -:**

Decreases the speed(0.5 to 22Kph).

Pressing once decreases the speed 0.1 kph.

Pressing and holding for two seconds will decrease the speed faster.

**Incline +**

Increases the incline (0% to 12% ±1%).

This button is also used to scroll the programs.

This button is also used to scroll the programs.

**Incline -:**

Decreases the incline(0% to 12% ± 1%).

This button is also used to scroll the programs.

This button is also used to scroll the programs.

**Jog wheel: (FIG. E-03)****Turn functions:**

- Choose workout mode in main menu
- User/setting mode option selection
- Choose working item on the setting screen
- Increase or decrease the setting value
- Adjusting target value (high/low) during workout

**Horizontal**

Turning clockwise to choose option rightward; counterclockwise for leftward.

**Vertical**

Turning clockwise to shift up; counterclockwise to shift down.

**Press functions:**

- Sport mode confirmation
- Option confirmation under User/Setting mode
- Confirmation of working item on setting screen
- Setting value confirmation
- Screen switching between bpm / incline Profile
- Screen switching between Video / Profile during T-Road

**Safety Key (FIG. E-1)**

A safety key is provided with this unit. It is a simple magnetic design that should be used at all times. It is for your safety should you fall or move too far back on the running belt.

Pulling this safety key will stop running belt movement.

**To Use:**

- Place the magnet into position on the console control head. Your treadmill will not start and operate without this.
- Fasten the plastic clip onto your clothing securely to assure good holding power. Note: The magnet has strong enough power to minimize accidental, unexpected stopping. The clip should be attached securely to make certain it does not come off. Be familiar with its function and limitations. The treadmill will stop, depending on speed, with a one to two step coast anytime the magnet is pulled off the console. Use the red Stop / Pause switch in normal operation.

**Start up screen**

When user interface startup it will show loading screen as shown below. (Fig. E-04)

After a few seconds this screen will change into Data reading in progress screen. Shown below. (Fig. E-05)

After loading the application the user interface will be show main menu screen. (Fig. E-06)

Trainer is now ready to start your workout programming of just select quick start and begin.

**General workout screen**

(FIG. E-26)

The X axis denote time in minutes between 0~30. It is updated once every 15 minutes during workout

- During workout, press the jog wheel button to switch the Y-axis between Incline/ bpm.
- The bar chart denotes the incline value/ Speed value.
- The white dot line shows current position, which moves rightward as workout time increases. The workout screen could show 5-hour data at most.
- The orange curve shows the user's actual heart rate, which varies as the heart rate frequency goes up and down.

**Programs****Quick start**

(FIG. E-06)

- Turn the jog wheel and select "Quick start"
- Press the jog wheel to confirm and enter the workout screen quickly

**End your workout**

The workout end screen pops up when Back/stop or Main menu is pressed or when the white dot line reaches the target value.

**Workout end screen (FIG. E-28)****Continue:**

Choose "Continue" to return to workout screen

**Exit:**

Choose "Exit" to exit to last session screen.

**Save&Exit: (FIG. E-24)**

Choose "Save&Exit" and enter a file name at the bottom of the screen: use the jog wheel to select A~Z or 0~9, save all workout data and name the file for a new workout mode.

**NOTE**

- To save training data it is required to have 10 minutes or 3 km of training profile data

**NOTE**

- It is not possible to store training data when being in Fitness test or T-Road mode.

***Display the workout data in Last session screen.***

Workout data screen (FIG. E-25)

Press the jog wheel button to return to main menu.

**Target heart rate**

(FIG. E-07)

- Turn the jog wheel and select "Target HR"
- Press the jog wheel to confirm and enter the Setting screen (1)

**Setting screen (1) (FIG. E-15)**

- Turn the jog wheel to adjust target heart rate value. (The percentage varies with bpm value)
- Press the jog wheel to confirm and enter the Setting screen (2)

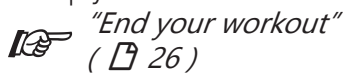
**Setting screen (2) (FIG. E-16)**

- Turn jog wheel to select item
- Press the jog wheel button for confirmation and continue the range setting at the right.
- Turn jog wheel to change setting ranges
- Press the jog wheel button to confirm and enter the Workout screen.

**Workout screen (FIG. E-29)**

- A message of "No Heart Rate" is shown if the user's heart rate is not detected during workout.

To stop your workout

**Manual**

(FIG. E-08)

- Turn the jog wheel and select "Manual"
- Press the jog wheel to confirm and enter the Setting screen (1).

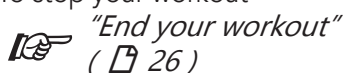
**Setting screen (1) (FIG. E-13)**

- Turn jog wheel to select item
- Press the jog wheel button for confirmation and continue the range setting at the right.
- Turn jog wheel to change setting ranges
- Press the jog wheel button to confirm and enter the Workout screen.

**Workout screen (FIG. E-23)**

- During workout, press the jog wheel button to switch the Y-axis between Nm incline/ bpm
- The white dot line shows current position, which moves rightward as calorie /time/distance increases.
- The orange curve shows the user's actual heart rate, which varies as the heart rate frequency goes up and down

To stop your workout

**Preset Programs**

(FIG. E-09)

- Turn the jog wheel and select "Preset Programs"
- Press the jog wheel to confirm and enter the Setting screen (1).

**Setting screen (1) (FIG. E-47)**

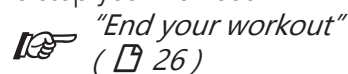
- Turn the jog wheel to select program
- Press the jog wheel to confirm and enter the Setting screen (2)

**Setting screen (2) (FIG. E-14)**

- Turn jog wheel to select item
- Press the jog wheel button for confirmation and continue the range setting at the right.
- Turn jog wheel to change setting ranges
- Press the jog wheel button to confirm and enter the Workout screen

**Workout screen ( Incline Control ) (FIG. E-48)****Workout (Heart Rate Control) (FIG. E-27)**

To stop your workout

**Own Trainings**

(FIG. E-10)

- Turn the jog wheel and select "Preset Programs"
- Press the jog wheel to confirm and enter the Setting screen (1).

**NOTE**

When no saved trainings are found below window will appear. (FIG. E-44)

- Press jog wheel to go back to main menu

**Setting screen (1) (FIG. E-40)**

Setting Screen (1) is for user's saved items and training records.

They are shown in the right and left screen.

- Turn jog wheel to select item
- Press the jog wheel button to confirm and to open selection window.

**Selection window (FIG. E-43)**

- Turn the jog wheel and select item

**Choose "Replay"**

- Press jog wheel button to confirm. Enter workout screen and continue the previous training

**Choose "Edit"**

- Press jog wheel to confirm
- Enter and edit the range setting
- Press jog wheel button to confirm and to enter workout screen

**Choose "Delete"**

- Turn jog wheel to select item
- Press the jog wheel button to confirm and to open selection window.
- Choose Yes to delete selected file, choose no not delete selected file.
- Press jog wheel button to confirm.

**Workout screen:**

Workout screen is depending on the trainings mode you are in.

**Target HR Mode**

It's the same as Preset programs Heart Rate Mode

**Fitness test**

(FIG. E-11)

- Turn the jog wheel and select "Fitness test"
- Press the jog wheel to confirm and enter the Setting screen (1).

**NOTE**

User interface needs the user's data to process Fitness test, if no any user data available Fitness test cannot start up.

Following message will pop up. (FIG. E-35)

- Press jog wheel to go back to main menu

**Information window**

The information shows:

"Fitness test is Cooper test user walks / runs as far as possible in 12 minutes".

- Press the jog wheel button to confirm and to open Workout screen.

**Workout screen (FIG. E-36)****The screen shows****"Test Failed ! if:**

- The workout time is too short

**"No Heart Rate detected"if:**

- It doesn't detect the user's heart rate

Press Back/stop or Main menu button to leave the workout screen

**Workout data screen (FIG. E-25)**

- Press jog wheel to go to VO2 Max test result screen

**VO2 Max test result screen (FIG. E-58)**

- Press jog wheel to go back to main menu

To stop your workout

"End your workout"  
( 26 )

**VO2 Max test result table. (FIG. E-63)****T-Road**

(FIG. E-12)

- Turn the jog wheel and select "T-Trainer"
- Press the jog wheel to confirm and enter the Setting screen (1).

**Setting screen (1) (FIG. E-54)**

There are 3 selectable tracks available.

Knowing: Tuscany Sandy Road/ Tuscany Scenrey Road/ Tuscany Country Road.

- Turn the jog wheel and select your training track
- Press the jog wheel to confirm and enter the workout video screen. (FIG. E-53)

Press the jog wheel during workout to switch between Video and Profile screen (FIG. E-52)

- The X-axis is shown as distance unit, km in metric and mile in Imperial
- The Y-axis unit is m in metric and ft in Imperial
- Press the Jog wheel during workout to switch between Video / Profile screen

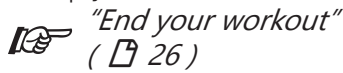
**In profile screen:**

- The white dot line shows current position, which moves rightward as workout time increases.
- The orange curve shows the user's actual heart rate, which varies as the heart rate frequency goes up and down

**In video screen:**

- The white icon + 0° in the left bottom of the screen shows the incline level and it varies with the Profile incline level change.
- Press Back/stop, Main menu or the white dot line reaches the target value can leave the workout screen

To stop your workout



## User settings

Press "User/Settings" button to enter the User/Settings main menu.

- Use the jog wheel to select one of the six available items.
- Press the jog wheel button for confirmation to enter the selected item setting screen

## User Log

(FIG. E-17)

By selecting the "User Log" you can: view the training data of the selected user.

You can view either the last training session data or a summary of all the user's sessions. (FIG. E-25)

Exit the training data by pressing BACK/STOP.

## User Setting

(FIG. E-18)

By selecting the "User Setting" you can:

- Adjust the brightness (Default=50%)
- Check the total mileages of the machine.
- Check the total used time for the machine.
- Check the default firmware and software version of Console
- Change language
- Select button beep sound on(yes) or off (NO)

**User setting window.** (FIG. E-57)

### How to modify settings

- Turn jog wheel to select changeable item.
- Press jog wheel to open selected item in right side of the screen for edit..
- Turn jog wheel to change value of selected.
- Press jog wheel to confirm change.
- Turn jog wheel to select next item, or use Back/ Stop button to go back to setting menu.

## Edit User

By selecting the Edit User you can: (FIG. E-19)

Edit: (Fig. E-34))

### User name:

- Turn jog wheel and select "Name"
- Press jog wheel to open "Name" edit.
- Turn jog wheel to select letter
- Press jog wheel to confirm
- Turn jog wheel to select next letter
- When name is edit correctly than select "✓" to confirm name and go back to Edit user Menu

### Units, Display

- Turn jog wheel and select "Units"
- Press jog wheel to open "Units" edit
- Turn jog wheel to select  
Metric: show units in km/kph/Kcal  
Imperial: show units in mile/mpH/kcal
- Press jog wheel to confirm and go back to Edit user Menu

### Display

- Turn jog wheel and select "Display"
- Press jog wheel to open "Display" edit
- Turn jog wheel to select  
Count up: preset time/ distance will be counting up  
Count Down: preset time/ distance will be counting down.
- Press jog wheel to confirm and go back to Edit user Menu

### Gender

- Turn jog wheel and select "Gender"
- Press jog wheel to open "Gender" edit
- Turn jog wheel to select Male/ Female
- Press jog wheel to confirm and go back to Edit user Menu

### Age

- Turn jog wheel and select "Age"
- Press jog wheel to open "Age" edit
- Turn jog wheel to change age
- Press jog wheel to confirm and go back to Edit user Menu

### Height

- Turn jog wheel and select "Height"
- Press jog wheel to open "Height" edit
- Turn jog wheel to change Height  
In cm when units in Metric  
In ft/inch when units in Imperial.
- Press jog wheel to confirm and go back to Edit user Menu

### Weight

- Turn jog wheel and select "Weight"
- Press jog wheel to open "Weight" edit

- Turn jog wheel to change Weight  
In kg when units in Metric  
In lbs when units in Imperial.
- Press jog wheel to confirm and go back to Edit user Menu

### Max HR

- Turn jog wheel and select "Max HR"
- Press jog wheel to open "Max HR" edit
- Turn jog wheel to change default max HR preset as:  
when selected Male : 220-age  
when selected female : 226-age
- Press jog wheel to confirm and go back to Edit user Menu

### Max Speed

- Turn jog wheel and select "Max Speed"
- Press jog wheel to open "Max Speed" edit
- Turn jog wheel to change Max speed
- Press jog wheel to confirm and go back to Edit user Menu



#### NOTE

The set max speed will be used as the maximum treadmill speed, in manual as well as in program profile modes.

## Delete User

---

(FIG. E-20)

By selecting the "Delete User" you can:  
Delete a user and all its data.

- Turn jog wheel and select the user you want to delete
- Press jog wheel to delete the selected user and go back to setting menu.

*User will be deleted without further prompting*

## Change User

---

(FIG. E-21)

By selecting the "Change User" you can:  
Select an other preset user profile.

- Turn jog wheel and select the user you want to activate
- Press jog wheel to confirm the selected user and go back to setting menu.

## Create User

---

(FIG. E-22)

By selecting the "Create User" you can set up a new user profile. Maximum of 8 users can be installed.  
See Edit user on how to create user.

(FIG. E-31)

## Warranty

---

### Warranty terms

The consumer is entitled to the applicable legal rights stated in the national legislation concerning the commerce of consumer goods. This warranty does not restrict these rights. The Purchaser's Warranty is only valid if the item is used in an environment approved by Tunturi New Fitness BV for that particular equipment. The product-specific approved environment is stated in the Owner's Manual provided with your equipment.

### Warranty conditions

The warranty conditions commence from the date of purchase. Warranty conditions may vary per country, so please consult your local dealer for the warranty conditions.

### Warranty coverage

Under no circumstances shall Tunturi New Fitness BV or the Tunturi Distributor be liable by virtue of this warranty or otherwise for any special, indirect, secondary or consequential damages of any nature arising out of any use or inability to use this equipment.

### Warranty limitations

This warranty covers manufacturing defects in the fitness equipment as originally packed by Tunturi New Fitness BV. The warranty shall apply only under conditions of normal, recommended use of the product as described in the Owner's Manual and providing that Tunturi New Fitness BV's instructions for installation, maintenance and use have been complied with. Neither Tunturi New Fitness BV's nor the Tunturi Distributors' obligations apply to defects due to reasons beyond their control. The warranty applies only to the original purchaser and is valid only in countries where Tunturi New Fitness BV has an authorised importer. The warranty does not extend to fitness equipment or components that have been modified without the consent of Tunturi New Fitness BV. Defects resulting from normal wear, misuse, abuse, corrosion, or damage incurred during loading or transportation are not covered.

The warranty does not cover sounds or noises emitted during use where these do not substantially impede the use of the equipment and where they are not caused by a fault in the equipment.

The warranty does not cover defects arising from the failure to carry periodic maintenance as outlined within the Owner's Manual for the product. Furthermore, the warranty does not cover defects arising from usage and storage within an unsuitable environment as described within the Owner's Manual which should be indoors, dry, dust and grit free and within a temperature range of +15°C to +35°C. The warranty does not cover maintenance activities, such as cleaning, lubricating, and normal part adjustments, nor installation

procedures that customers can accomplish themselves, such as changing uncomplicated meters, pedals and other similar parts not requiring any dismantling/reassembling of the fitness equipment. Warranty repairs carried out by other than authorised Tunturi representatives are not covered. Failure to follow the instructions given in the Owner's Manual will invalidate the product's warranty.

## Cleaning and maintenance



### WARNING

- Before cleaning and maintenance, remove the mains plug from the wall socket.
  - Do not use solvents to clean the equipment.
- Do not block the ventilation openings. Keep the ventilation openings clear from dust, dirt and other obstructions.
  - Clean the equipment with a soft, absorbent cloth after each use.
  - Clean the visible parts of the equipment with a vacuum cleaner with a small suction nozzle
  - Regularly check that all screws and nuts are tight.

### Belt and Running Deck

Your treadmill uses a very high-efficient low-friction bed. Performance is maximized when the running deck is kept as clean as possible. Use a soft, damp cloth or paper towel to wipe the edge of the belt and the area between the belt edge and frame. Also reach as far as practical directly under the belt edge. This should be done once a month to extend belt and running deck life. Use water only - no cleaners or abrasives. A mild soap and water solution along with a nylon scrub brush will clean the top of the textured belt. Allow the belt to dry before using.



### WARNING

- The Running belt is pre-waxed. Any form lubrication will harm the performance and durability of the running belt.

### Belt Dust

This occurs during normal break-in or until the belt stabilizes. Wiping excess off with a damp cloth will minimize build-up.

## General Cleaning

Dirt, dust, and pet hair can block air inlets and accumulate on the running belt. On a monthly basis: vacuum underneath your treadmill to prevent buildup. Twice a year, you should remove the black motor hood and vacuum out dirt that may accumulate. UNPLUG POWER CORD BEFORE THIS TASK.

## Belt adjustments (FIG. E-60)

Adjustment must be made from the rear roller. The adjustment bolts are located at the end of the step rails in the end caps.

- Tighten the rear roller bolts (clockwise) only enough to prevent slippage at the front roller. Turn both running belt tension adjustment bolts in increments of 1/4 turn each and inspect for proper tension by walking on the belt at a low speed, making sure the belt does not slip. Keep tensioning the bolts until the belt stops slipping.
- If you feel the belt is tight enough, but it still slips, the problem may be a loose Motor drive belt under the front cover.
- Do Not Over-tighten  
Over tightening will cause belt damage and premature bearing failure.

## Running belt tracking adjustment

The performance of your treadmill is dependent on the frame running on a reasonably level surface. If the frame is not level, the front and back roller cannot run parallel, and constant belt adjustment may be necessary.

The treadmill is designed to keep the running belt reasonably centered while in use. It is normal for some belts to drift near one side while the belt is running with no one on it. After a few minutes of use, the running belt should have a tendency to center itself. If, during use, the belt continues to move toward one side, adjustments are necessary.

Exception: During rehabilitation where the user is using one leg much stronger than the other, it might happen that the running belt drifts to one side. In these cases you should not adjust unless the running belt does not centre itself during normal condition usage.

## To set running belt tracking (FIG. E-59)

A 10 mm Allen wrench is provided to adjust the rear roller. Make tracking adjustments from the left side only. Set belt speed at approximately 3 to 5 kph.

Remember, a small adjustment can make a dramatic difference!

Turn the bolt clockwise to move the belt to the right. Counterclockwise to move to the left. Turn the bolt only a 1/4 turn and wait a few minutes for the belt to adjust itself. Continue to make 1/4 rotation turns until the belt stabilizes in the center of the running deck.

The belt may require periodic tracking adjustment depending on use and walking/running characteristics. Some users will affect tracking differently. Expect to make adjustments as required to center the tread-belt. Adjustments will become less of a maintenance concern as the belt is used. Proper belt tracking is an owner responsibility common with all treadmills.

**NOTE**

- Damage to the running belt because of incorrect running-belt adjustments is not covered by the products warranty.

## Troubleshooting

Despite continuous quality control, defects and malfunctions caused by individual components may occur in the equipment. In most cases it's unnecessary to take the whole device in for repair, as it's usually sufficient to replace the defective part.

If the equipment does not function properly during use, contact your Tunturi dealer immediately. Always give the model and serial number of your equipment. Please state also the nature of the problem, conditions of use and purchase date.

If you require spare parts, always give the model, serial number of your equipment and the spare part number for the part you need. The spare part list is at the back of this manual. Use only spare parts mentioned in the spare part list.

## Transport and storage

**WARNING**

- Carry and move the equipment with at least two persons.
- Remain standing in front of the equipment on each side and take a sturdy grip at the handlebars. Tilt the front of the equipment so as to lift the rear of the equipment on the wheels. Move the equipment and carefully put the equipment down. Place the equipment on a protective base to prevent damage to the floor surface.
- Move the equipment carefully over uneven surfaces. Do not move the equipment upstairs using the wheels, but carry the equipment by the handlebars.
- Store the equipment in a dry place with as little temperature variation as possible.

## Technical data

Parameter	Unit of measurement	Value
Mains voltage	VAC	230
Mains frequency	Hz	50 ~ 60
Motor	HP	5.0
Speed	Km/h	0.5 - 22.0
Speed	Mph	0,3 - 13.7
Incline	%	0 - 15
Length	Cm	213
Length	Inch	83.7
Width	Cm	89
Width	Inch	35.1
Height	Cm	144
Height	Inch	56.7
Weight	Kg	95.0
Weight	Lbs	209.2
Max. user weight	Kg	150
Max. user weight	Lbs	330

## Declaration of the manufacturer

Tunturi New Fitness BV declares that the product is in conformity with the following standards and directives: EN 957 (HB), 89/336/EEC. The product therefore carries the CE label.

01-2017

Tunturi New Fitness BV  
Purmerweg 1  
1311 XE Almere  
The Netherlands

## Disclaimer

© 2017 Tunturi New Fitness BV  
All rights reserved.

The product and the manual are subject to change. Specifications can be changed without further notice.



**Deutsch**

Diese deutsche Bedienungsanleitung ist eine Übersetzung des englischen Textes. Es können keine Rechte auf diese Übersetzung abgeleitet werden.

**Index**

**Laufband ..... 33**

**Warnhinweise zur Sicherheit..... 33**

Elektrische Sicherheit ..... 34

Beschreibung (ABB. A) ..... 35

Verpackungsinhalt (ABB. B & C) ..... 35

Zusammenbau (ABB. D) ..... 35

Ziehen Muttern und Schrauben ..... 35

**Trainings..... 35**

Trainings ..... 35

Trainingsanleitung ..... 36

Herzfrequenz ..... 36

**Gebrauch..... 37**

**Konsole (ABB. E-1)..... 38**

Drehschalter und Tasten ..... 38

Bildschirm Starten ..... 38

Allgemeine Trainingsanzeige ..... 39

**Programme..... 39**

Schnellstart ..... 39

Beenden des Trainings ..... 39

Zieherzfrequenz ..... 39

Manuell.. ..... 40

Preset Programme ..... 40

Eigenes Training ..... 40

Fitnessstest ..... 41

T-Road ... ..... 41

**Benutzer-einstellungen..... 42**

Benutzerprotokoll ..... 42

Benutzer bearbeiten ..... 42

Bearbeiten ..... 42

Benutzer Löschen ..... 43

Benutzer ändern ..... 43

Benutzer erstellen ..... 43

**Garantie ..... 43**

**Reinigung und Wartung ..... 44**

**Betriebs- störungen ..... 45**

**Transport and storage..... 45**

**Technische Daten ..... 46**

**Declaration of the manufacturer ..... 46**

**Disclaimer ..... 46**

**Laufband**

Willkommen in der Welt von Tunturi!

Danke, dass Sie dieses Gerät von Tunturi erworben haben. Tunturi bietet eine breite Palette an Heim-Fitnessgeräten wie beispielsweise Crosstrainer, Laufbänder, Trainingsfahrräder und Rudergeräte an. Die Tunturi Geräte sind für die ganze Familie geeignet - ganz egal, wie fit man ist. Weitere Informationen finden Sie auf unserer Website unter [www.tunturi.com](http://www.tunturi.com)

**Wichtige sicherheitshinweise**

Dieses Handbuch ist ein wesentlicher Bestandteil Ihres Trainingsgerätes. Lesen Sie es bitte sorgfältig durch, bevor Sie Ihr Trainingsgerät montieren, mit ihm trainieren oder es warten. Bitte bewahren Sie dieses Handbuch auf; es wird Sie jetzt und zukünftig darüber informieren, wie Sie Ihr Gerät benutzen und warten. Befolgen Sie diese Anweisungen immer sorgfältig.

**Warnhinweise zur Sicherheit**



**WARNUNG**

*Lesen Sie die Warnhinweise zur Sicherheit und die Anweisungen. Werden die Warnhinweise zur Sicherheit und die Anweisungen nicht befolgt, kann dies zu Personenverletzungen und Schäden am Gerät führen. Bewahren Sie die Warnhinweise zur Sicherheit und die Anweisungen zur künftigen Bezugnahme auf.*



**WARNUNG**

*Herzfrequenz-Überwachungssysteme können ungenau sein. Eine Überanstrengung kann zu schweren Schädigungen oder zum Tod führen. Wenn Sie sich schwach oder ohnmächtig fühlen, stellen Sie die Übungen unverzüglich ein.*

- Das Gerät ist nur für den Heim- und gewerblichen Gebrauch (z.B. Krankenhäuser, Feuerwachen, Hotels, Schulen, usw.) geeignet. Die maximale Verwendung ist auf 6 Stunden pro Tag beschränkt. Das Gerät ist nicht für den ausschließlichen gewerblichen Einsatz (z.B. große Fitnessstudios) geeignet.
- Wenn dieses Gerät von Kindern oder Personen mit körperlicher, sensorischer, geistiger oder motorischer Behinderung verwendet wird, oder wenn nicht genügend Erfahrung und Kenntnisse vorhanden sind, kann dies zu Gefahrensituationen führen. Personen, die für deren Sicherheit verantwortlich sind, müssen klare Anweisungen geben oder den Gebrauch des Geräts beaufsichtigen.
- Bevor Sie Ihr Training starten, nehmen Sie Kontakt mit einem Arzt auf, um Ihre Gesundheit kontrollieren zu lassen.

- Falls Sie Übelkeit, ein Schwindelgefühl oder andere anormale Symptome verspüren, hören Sie unverzüglich mit Ihrem Training auf und wenden Sie sich an einen Arzt.
- Um einen Muskelkater zu vermeiden, starten Sie jedes Training mit Aufwärmen und beenden Sie es mit Abkühlen. Denken Sie daran, sich am Ende des Trainings zu dehnen.
- Das Gerät ist nur für den Gebrauch in geschlossenen Räumen geeignet. Das Gerät ist nicht für den Gebrauch im Freien geeignet.
- Verwenden Sie das Gerät nur in Umgebungen mit ausreichender Belüftung. Verwenden Sie das Gerät nicht in zugiger Umgebung, damit Sie sich nicht erkälten.
- Verwenden Sie das Gerät nur in Umgebungen mit Umgebungstemperaturen zwischen 10 °C und 35 °C. Lagern Sie das Gerät nur in Umgebungen mit einer Umgebungstemperatur zwischen 5 °C und 45 °C.
- Verwenden und lagern Sie das Gerät nicht in feuchten Umgebungen. Die Luftfeuchtigkeit darf niemals 80% überschreiten.
- Verwenden Sie das Gerät nur bestimmungsgemäß. Verwenden Sie das Gerät nicht für einen anderen als für den in diesem Handbuch beschriebenen Zweck.
- Verwenden Sie das Gerät nicht, falls Teile beschädigt oder defekt sind. Ist ein Teil beschädigt oder defekt, wenden Sie sich an Ihren Händler.
- Halten Sie Ihre Hände, Füße und andere Körperteile von den beweglichen Teilen fern.
- Halten Sie Ihr Haar von den beweglichen Teilen fern.
- Tragen Sie entsprechende Kleidung und Schuhe.
- Halten Sie Kleidung, Schmuck und andere Gegenstände von den beweglichen Teilen fern.
- Vergewissern Sie sich, dass das Gerät nur von einer Person auf einmal verwendet wird. Das Gerät darf nicht von Personen verwendet werden, deren Gewicht 150 kg überschreitet.
- Öffnen Sie das Gerät nicht, ohne vorher mit Ihrem Händler zu sprechen.

## Elektrische Sicherheit

(Betrifft nur elektrisch betriebene Geräte)

- Vergewissern Sie sich vor der Verwendung stets, dass die Netzspannung mit der Spannung auf dem Typenschild des Geräts übereinstimmt.
- Verwenden Sie kein Verlängerungskabel.
- Halten Sie das Netzkabel von Hitze, Öl und scharfen Kanten fern.
- Verändern Sie nichts am Netzkabel oder am Netzstecker.
- Verwenden Sie das Gerät nicht, falls das Netzkabel oder der Netzstecker beschädigt oder defekt ist. Ist das Netzkabel oder der Netzstecker beschädigt oder defekt, wenden Sie sich an Ihren Händler.
- Wickeln Sie das Netzkabel immer vollständig ab.

- Lassen Sie das Netzkabel nicht unter dem Gerät entlanglaufen. Lassen Sie das Netzkabel nicht unter einem Teppich entlanglaufen. Stellen Sie keine Gegenstände auf das Netzkabel.
- Vergewissern Sie sich, dass das Netzkabel nicht über der Kante eines Tisches hängt. Vergewissern Sie sich, dass niemand versehentlich über das Netzkabel stolpert.
- Lassen Sie das Gerät nicht unbeaufsichtigt, wenn der Netzstecker in die Wandsteckdose eingesteckt ist.
- Ziehen Sie nicht am Netzkabel, um den Netzstecker aus der Wandsteckdose zu ziehen.
- Ziehen Sie den Netzstecker aus der Wandsteckdose, wenn das Gerät nicht verwendet wird, bevor es zusammengebaut oder zerlegt wird sowie vor der Reinigung und Wartung.



### WARNUNG

- Schwankungen in der Netzspannung von mehr als 10 Prozent können zu Fehlfunktionen des Gerätes führen und die Elektronik beschädigen. Die Leistungsaufnahme kann maximal 15 A betragen. Die Garantie erlischt, wenn das Gerät nicht diesen Anleitungen entsprechend angeschlossen wird



### WARNUNG

- NIEMALS eine RCD-Steckdose für das Laufband verwenden - Residual Current Device (Fehlerstromschutzschalter) (U.S. ver.= GFCI). Wie bei jedem Gerät mit einem starken Motor, würde das RCD/GFCI oft ausgelöst werden. Führen Sie das Stromkabel abseits aller beweglichen Teile des Laufbands, einschließlich des Hebemechanismus und der Transporträder.

## Erdungsanweisungen

Dieses Produkt muss geerdet werden. Wenn das Elektrosystem des Laufbands nicht funktioniert oder ausfällt, ist die Erdung der letzte Widerstand für Stromspannung, wodurch Stromschläge vermieden werden. Dieses Produkt hat eine Kabel mit einem Erdungsstecker. Der Stecker muss in eine geeignete Dose gesteckt werden, die richtig gemäß aller örtlichen Bestimmungen und Verordnungen installiert und geerdet ist.



### WARNUNG

Ein ungeeigneter Erdungsanschluss des Geräts kann zu Stromschlägen führen. Überprüfen Sie zusammen mit einem qualifizierten Elektriker oder Servicemitarbeiter in Zweifelsfällen, ob das Gerät richtig geerdet ist. Nehmen Sie am Stecker, der mit dem Produkt geliefert wurde, keine Veränderungen vor, wenn dieser nicht in die Steckdose passt; lassen Sie von einem qualifizierten Elektriker eine passende Steckdose installieren.

## Beschreibung (ABB. A)

Ihr Laufband ist ein ortsgebundenes Fitnessgerät, das zur Simulation des Gehens oder Laufens verwendet wird, ohne dabei einen übermäßigen Druck auf die Gelenke auszuüben.

## Verpackungsinhalt (ABB. B & C)

- Die Verpackung enthält die in Abb. B dargestellten Teile.
- Die Verpackung enthält die Befestigungsteile gemäß Abb. C. Siehe Abschnitt "Beschreibung".



### HINWEIS

- Fehlt ein Teil, wenden Sie sich an Ihren Händler.

## Zusammenbau (ABB. D)



### WARNUNG

- Bauen Sie das Gerät in der angegebenen Reihenfolge zusammen.
- Tragen und bewegen Sie das Gerät mit mindestens zwei Personen.



### VORSICHT

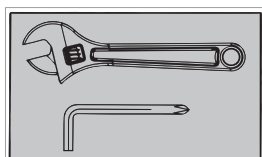
- Stellen Sie das Gerät auf festen, ebenen Boden.
  - Stellen Sie das Gerät auf eine schützende Unterlage, um Schäden am Bodenbelag zu vermeiden.
  - Sorgen Sie rund um das Gerät für einen Freiraum von mindestens 100 cm.
- Der richtige Zusammenbau des Geräts geht aus den Abbildungen hervor.



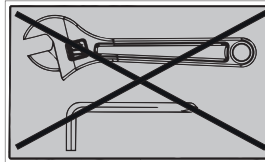
### Zusammenbau hinweis (ABB. D-3A)

- Stellen Sie Halterungen (3 & 4) richtung der Rückseite der Konsole, dann können Sie die Schrauben anziehen.

## Ziehen Muttern und Schrauben



Ziehen Sie die Muttern und Schrauben fest an, nachdem alle Komponenten im aktuellen und in den vorherigen Schritten montiert wurden.



Ziehen Sie nicht alle Muttern und Schrauben in diesem Schritt fest.



### HINWEIS

- Heben Sie die Werkzeuge für künftige Zwecke auf, die zu diesem Produkt geliefert wurden, wenn Sie die Montage beendet haben.

## Trainings

Das Training muss leicht und geeignet, aber von langer Dauer sein. Aerobic-Übungen basieren auf der Verbesserung der maximalen Sauerstoffaufnahme des Körpers, was wiederum die Ausdauer und Fitness verbessert. Sie sollten während des Trainings zwar ins Schwitzen, aber nicht außer Atem kommen. Um eine Basisfitness zu erreichen und zu halten, üben Sie mindestens drei mal pro Woche 30 Minuten lang an einem Stück. Erhöhen Sie die Anzahl der Übungssitzungen, um Ihre Fitness zu verbessern. Es lohnt sich, die regelmäßigen Übungen mit einer gesunden Diät zu kombinieren. Personen, die Diät machen, sollten täglich zuerst 30 Minuten oder weniger an einem Stück üben und die tägliche Trainingszeit allmählich auf eine Stunde verlängern. Beginnen Sie Ihr Training mit niedriger Geschwindigkeit und geringem Widerstand, um zu vermeiden, dass das Herzkreislaufsystem einer übermäßigen Belastung ausgesetzt wird. Mit sich verbessernder Fitness können Geschwindigkeit und Widerstand allmählich erhöht werden. Die Wirksamkeit Ihrer Übungen kann durch Überwachung der Herzfrequenz und Ihrer Pulsfrequenz gemessen werden.

## Trainings

Das Training muss leicht und geeignet, aber von langer Dauer sein. Aerobic-Übungen basieren auf der Verbesserung der maximalen Sauerstoffaufnahme des Körpers, was wiederum die Ausdauer und Fitness verbessert. Sie sollten während des Trainings zwar ins Schwitzen, aber nicht außer Atem kommen. Um eine Basisfitness zu erreichen und zu halten, üben Sie mindestens drei mal pro Woche 30 Minuten lang an einem Stück. Erhöhen Sie die Anzahl der Übungssitzungen, um Ihre Fitness zu verbessern. Es lohnt sich, die regelmäßigen Übungen mit einer gesunden Diät zu kombinieren. Personen, die Diät machen, sollten täglich zuerst 30 Minuten oder weniger an einem Stück üben und die tägliche Trainingszeit allmählich auf eine Stunde verlängern. Beginnen Sie Ihr Training mit niedriger Geschwindigkeit und geringem Widerstand, um zu vermeiden, dass das Herzkreislaufsystem einer übermäßigen Belastung

ausgesetzt wird. Mit sich verbessernder Fitness können Geschwindigkeit und Widerstand allmählich erhöht werden. Die Wirksamkeit Ihrer Übungen kann durch Überwachung der Herzfrequenz und Ihrer Pulsfrequenz gemessen werden.

## Trainingsanleitung

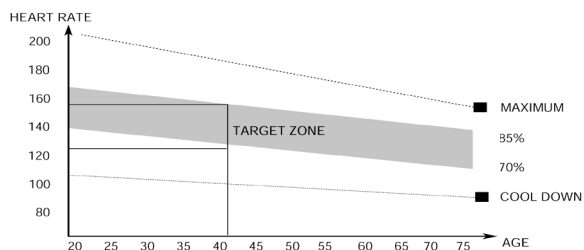
Die Verwendung des Fitnesstrainers wird Ihnen viele Vorteile bieten: Er verbessert Ihre körperliche Fitness, formt die Muskeln und hilft Ihnen, in Verbindung mit einer kalorienreduzierten Diät, Gewicht zu verlieren.

### Die Aufwärm-Phase

Der Blutkreislauf wird angeregt und die Muskelfunktionen werden unterstützt. Außerdem wird das Risiko von Krämpfen und Muskelverletzungen gesenkt. Sie sollten, wie unten angezeigt, einige Dehnungsübungen machen. Sie sollten weder die Dehnungsbewegung erzwingen noch die Muskeln dabei ruckweise bewegen - wenn Sie Schmerzen haben, sollten Sie AUFHÖREN.

### Die Trainings-Phase

In dieser Phase strengen Sie sich an. Nach regelmäßiger Verwendung werden die Muskeln in Ihren Beinen beweglicher. In dieser Phase ist es sehr wichtig, immer ein gleichmäßiges Tempo beizubehalten. Die Anstrengung sollte ausreichen, um Ihren Herzschlag bis in die Zielzone zu erhöhen, die im folgenden Diagramm dargestellt ist.



Diese Phase sollte mindestens 12 Minuten dauern; die meisten Menschen beginnen mit ca. 15 bis 20 Minuten.

### Die Abkühlungs-Phase

Sie dient der Entspannung Ihres Herz-Kreislaufsystems und Ihrer Muskeln. Dabei werden die Aufwärmübungen wiederholt, reduzieren Sie zum Beispiel Ihr Tempo und machen Sie ca. 5 Minuten weiter. Jetzt sollten die Dehnübungen wiederholt werden. Denken Sie wiederum daran, weder die Dehnungsbewegung zu erzwingen noch die Muskeln dabei ruckweise zu bewegen.

Wenn Sie fitter werden, kann es sein, dass Sie länger und härter trainieren müssen. Sie sollten mindestens drei Mal die Woche trainieren und, falls möglich, Ihre Trainingseinheiten gleichmäßig über die Woche verteilen.

## Muskelformung

Um Ihre Muskeln beim Training auf dem Fitnesstrainer zu formen, müssen Sie den Widerstand ziemlich hoch einstellen. Dadurch werden die Beinmuskeln mehr angestrengt und Sie können möglicherweise nicht so lange trainieren, wie Sie möchten. Wenn Sie außerdem Ihre Fitness verbessern möchten, müssen Sie Ihr Trainingsprogramm ändern. Sie sollten in den Aufwärm- und Abkühlphasen normal trainieren, jedoch gegen Ende der Trainingsphase den Widerstand erhöhen, damit Ihre Beine härter arbeiten müssen. Sie müssen die Geschwindigkeit verringern, damit Ihre Herzfrequenz in der Zielzone bleibt.

## Gewichtsabnahme

Der wichtige Faktor ist, wie sehr Sie sich anstrengen. Je härter und je länger Sie trainieren, desto mehr Kalorien verbrennen Sie. Dies ist im Grunde dasselbe, wie wenn zur Verbesserung Ihrer Fitness trainieren, nur das Ziel ist ein anderes.

## Herzfrequenz

### Pulsfrequenzmessung (Handpulssensoren)

Die Pulsfrequenz wird durch Sensoren in den Handgriffen gemessen, wenn der Nutzer beide Sensoren gleichzeitig anfasst. Für eine genaue Pulsmessung ist es erforderlich, dass die Haut etwas feucht ist und die Handpulssensoren konstant berührt werden. Ist die Haut zu trocken oder zu feucht, wird die Pulsfrequenzmessung weniger genau.



#### HINWEIS

- Verwenden Sie die Handpulssensoren nicht in Kombination mit einem Herzfrequenz-Brustgürtel.
- Wenn Sie sich einen Herzfrequenz-Grenzwert für Ihr Training setzen, ertönt beim Überschreiten ein Signal.

### Herzfrequenzmessung (Herzfrequenz-Brustgürtel)

Die genaueste Herzfrequenzmessung lässt sich mit einem Herzfrequenz-Brustgürtel erzielen. Die Herzfrequenz wird mit einem Herzfrequenzempfänger in Kombination mit einem Herzfrequenz-Sendegürtel gemessen. Für eine genaue Herzfrequenzmessung ist es erforderlich, dass die Elektroden am Sender etwas feucht sind und die Haut konstant berühren. Sind die Elektroden zu trocken oder zu feucht, wird die Herzfrequenzmessung weniger genau.



#### WARNUNG

- Falls Sie einen Schrittmacher haben, wenden Sie sich zunächst an einen Arzt, bevor Sie einen Herzfrequenz-Brustgürtel verwenden.

**VORSICHT**

- Falls sich mehrere Herzfrequenz-Messgeräte in gegenseitiger Nähe befinden, vergewissern Sie sich, dass der Abstand zwischen ihnen mindestens 1,5 Meter beträgt.
- Falls nur ein Herzfrequenzempfänger und mehrere Herzfrequenzsender vorhanden sind, vergewissern Sie sich, dass nur eine Person mit einem Sender in Sendereichweite ist.

**HINWEIS**

- Verwenden Sie keinen Herzfrequenz-Brustgürtel in Kombination mit den Handpulssensoren.
- Tragen Sie den Herzfrequenz-Brustgürtel stets mit direktem Hautkontakt unter Ihrer Kleidung. Tragen Sie den Herzfrequenz-Brustgürtel nicht auf Ihrer Kleidung. Falls Sie den Herzfrequenz-Brustgürtel auf Ihrer Kleidung tragen, gibt es kein Signal.
- Wenn Sie sich einen Herzfrequenz-Grenzwert für Ihr Training setzen, ertönt beim Überschreiten ein Signal.
- Der Sender überträgt die Herzfrequenz in einem Abstand bis zu 1 Meter zur Konsole. Sind die Elektroden nicht feucht, erscheint die Herzfrequenz nicht auf der Anzeige.
- Einige Fasern in der Kleidung (z.B. Polyester, Polyamid) erzeugen statische Elektrizität, die eine genaue Herzfrequenzmessung verhindern kann.
- Mobiltelefone, Fernsehgeräte und andere Elektrogeräte erzeugen ein elektromagnetisches Feld, das eine genaue Herzfrequenzmessung verhindern kann.

**Maximale Herzfrequenz (während des Trainings)**

Die maximale Herzfrequenz ist die höchste Herzfrequenz, die eine Person durch Übungsbelastung sicher erzielen kann. Folgende Formel wird zur Berechnung der durchschnittlichen maximalen Herzfrequenz verwendet:  $220 - \text{ALTER}$ . Die maximale Herzfrequenz variiert von Person zu Person.

**WARNUNG**

- Stellen Sie sicher, dass Sie während des Trainings Ihre maximale Herzfrequenz nicht überschreiten. Falls Sie einer Risikogruppe angehören, wenden Sie sich an einen Arzt.

**Anfänger****50-60% der maximalen Herzfrequenz**

Geeignet für Anfänger, Gewicht- Beobachter, Genesende und Personen, die schon lange nicht mehr trainiert haben. Trainieren Sie mindestens dreimal pro Woche 30 Minuten an einem Stück.

**Fortgeschritten****60-70% der maximalen Herzfrequenz**

Geeignet für Personen, die ihre Fitness verbessern und halten wollen. Trainieren Sie mindestens dreimal pro Woche 30 Minuten an einem Stück.

**Experte****70-80% der maximalen Herzfrequenz**

Geeignet für die fittesten Personen, die sich an lange Ausdauertrainings gewöhnt haben.

## Gebrauch

**Hauptschalter (ABB. E-2)**

Das Gerät ist mit einem Hauptschalter ausgestattet, mit dem es komplett abgeschaltet werden kann.

**Um das Gerät zu starten:**

- Stecken Sie den Netzstecker in das Gerät.
- Stecken Sie den Netzstecker in die Wandsteckdose.
- Schalten Sie den Hauptschalter ein (ON).

**Um das Gerät zu stoppen:**

- Schalten Sie den Netzschalter aus (OFF).
- Ziehen Sie den Netzstecker aus der Wandsteckdose.
- Ziehen Sie den Netzstecker aus dem Gerät.

**Sicherheitsschlüssel (ABB. E-1)**

Das Gerät ist mit einem Sicherheitsschlüssel ausgestattet, der zum Starten in die Konsole gesteckt werden muss. Wird der Sicherheitsschlüssel aus der Konsole entfernt, stoppt das Gerät sofort.

- Stecken Sie den Sicherheitsschlüssel in den Schlitz in der Konsole.
- Vergewissern Sie sich, dass der Clip des Sicherheitsschlüssels richtig an Ihrer Kleidung befestigt ist.
- Vergewissern Sie sich, dass der Clip nicht von Ihrer Kleidung entfernt wird, bevor der Sicherheitsschlüssel aus der Konsole gezogen wird.

**Schutzschalter**

Das Gerät ist mit einem Schutzschalter ausgestattet, der den Strom unterbricht, wenn die elektrische Last die maximale Kapazität überschreitet. Tritt dies ein, muss der Schutzschalter gedrückt werden..

**WARNUNG**

- Ziehen Sie vor dem Drücken des Schutzschalters den Netzstecker aus dem Gerät.

Schaltet das Gerät ab, gehen Sie wie folgt vor, um das Gerät neu zu starten:

- Ziehen Sie den Netzstecker aus dem Gerät.
- Drücken Sie den Schutzschalter, um das Gerät neu zu starten.
- Stecken Sie den Netzstecker in das Gerät.



### HINWEIS

Einige Schutzschalter in Gebäuden sind nicht auf hohen Einschaltstrom ausgelegt, der beim ersten Einschalten des Laufbands oder auch bei normaler Verwendung vorkommen kann. Wenn Ihr Laufband den Schutzschalter auslöst (auch wenn die Spannung korrekt ist und das Laufband das einzige Gerät im Stromkreis ist), aber der Schutzschalter im Laufband selbst nicht ausgelöst wird, müssen Sie den Schalter durch einen für hohen Einschaltstrom ersetzen. Dies ist nicht Teil der Garantieleistungen. Diese Bedingungen können vom Hersteller nicht beeinflusst werden.

## Konsole (ABB. E-1)



### VORSICHT

- Halten Sie die Konsole von direkter Sonneneinstrahlung fern.
- Trocknen Sie die Oberfläche der Konsole, wenn Sie mit Schweißtropfen bedeckt ist.
- Lehnen Sie sich nicht auf die Konsole.
- Berühren Sie die Anzeige nur mit Ihrer Fingerspitze. Vergewissern Sie sich, dass Ihre Nägel oder andere scharfe Gegenstände die Anzeige nicht berühren.



### HINWEIS

- Die Konsole schaltet in den Standby-Modus, wenn das Gerät 4 Minuten lang nicht verwendet wird.

## Drehschalter und Tasten

### Back, Stop Taste:

Zurück zum vorherigem Fenster. Beenden Sie das aktive Training.

### User/Settings

Drücken Sie diese Taste um den Gebraucher / Gebrauche-Einstellungen eingeben. Diese Taste funktioniert nicht während des Trainings.

### Speed +

- Erhöht den Geschwindigkeitsgrad im Bereich von 0,5 bis 22,0 km/h .
- Einmaliges Drücken der Taste erhöht den Wert um 0,1 km/h. Zum schnellen rhöhen der Werte die Taste 2 Sekunden lang gedrückt halten.

### Speed -:

- Senkt den Geschwindigkeitsgrad im Bereich von 0,5 bis 22,0 km/h.
- Einmaliges Drücken der Taste senkt den Wert um 0,1 km/h. Zum schnellen Senken der Werte die Taste 2 Sekunden lang gedrückt halten.

### Incline +

Erhöht die Steigungsgrad im Bereich von 0% bis 12%.

### Incline -:

Senkt die Steigungsgrad im Bereich von 0% bis 12%.

## Drehschalter ( ABB. E-03)

### Aktivieren von Funktionen:

- Wählen Sie den Training-Modus im Hauptmenü..
- Benutzer/Einstellung-Modus Auswahl,;
- Wählen Sie den gewünschten Modus im Einstellungsfenster.
- Erhöhen oder verringern Sie den Einstellungswert..
- Anpassung vom Zielwert (hoch/niedrig) während des Trainings..

### Horizontal

Drehen im Uhrzeigersinn – Option nach rechts,  
Drehen gegen den Uhrzeigersinn – Option nach links.

### Vertikal

Drehen im Uhrzeigersinn - Option nach Oben.  
Drehen gegen den Uhrzeigersinn – Option nach unten

## Funktionen Drucktaste (Drehschalter):

- Sport Modus Bestätigung.
- Option Bestätigung unter Benutzer Einstellmodus..
- Bestätigung vom Aktiven Programm im Einstellungs-Modus
- Einstellungs-Werte und Bestätigung.
- Umschalten Bildschirm zwischen bpm Profile während dem Training
- Umschalten Bildschirm zwischen Video Profile während T-Road.

## Bildschirm Starten

Wenn der Bildschirm gestartet wird das Lade-Zeichen gezeigt wie unten dargestellt. (ABB. E-04)

Nach einigen Sekunden ändert sich im Data Fortschritt-Anzeige wie unten dargestellt. (ABB. E-05)

Nachdem die Applikation vom Gebraucher geladen ist, wird das Hauptmenu erscheinen (ABB. E-06)

Trainer ist jetzt bereit um die Workout Programme zu starten, selektiere diese mit quick-Start und beginne

## Allgemeine Trainingsanzeige

(ABB. E-26)

Die X Achse zeigt die Zeit in Minuten zwischen 0 ~ 30. Es wird während des Trainings (alle 15 Minuten) aktualisiert

- Um die Y-Achse, während des Trainings zu ändern von Neigung bpm, drücken Sie den Drehschalter.
- Dass Balkendiagramm zeigt den Geschwindigkeit und Neigung an. betätigen.
- Die weiße unterbrochene Linie zeigt die aktuelle Position. Diese bewegt sich nach rechts wenn die Trainingszeit verläuft. Der Bildschirm kann maximal 5 Stunden Daten zeigen
- Die Orange Kurve zeigt die Aktuelle Herzfrequenz des Benutzers. Diese Variiert da die Herzfrequenz häufig ändert.

## Programme

### Schnellstart

(ABB. E-06)

- Drehe den Schalter und wählen Sie „Schnellstart“
- Bestätigen Sie die Auswahl, indem Sie den Drehschalter drücken und gehen sie sofort zum Trainings-Bildschirm.

### Trainings-Bildschirm: (ABB. E-26)

### Beenden des Trainings

- Das Trainings-Ende Bildschirm erscheint wenn Back/ Stop oder Hauptmenu gedrückt wird oder wenn der weiße unterbrochene Linie den Zielwert erreicht

### Trainings-Bildschirm: (ABB. E-28)

#### Weither : (Continue)

Wählen Sie "Weither" um zu Trainings-Bildschirm zurückzukehren

#### Beenden: (Exit)

- Wählen Sie "beenden" um das letzte Wiedergabefenster zu Schließen.

#### Speichern: (ABB. E-24)

Wählen Sie "Speichern" und geben Sie einen Dateinamen ein, am unteren Rand des Bildschirms Benutze den Drehschalter um A – Z, oder 0-9 zu selektieren und alle Trainingsdaten zu Speichern für einen neuen Trainings-Modus



#### HINWEIS!

- Um Trainingsdaten zu speichern, benötigen Sie 10 Minuten oder 3 km Trainingsprofilaten.



#### HINWEIS!

- Es ist nicht möglich, Trainingsdaten im Fitness-Test oder im T-Road-Modus zu speichern.
- Die Trainingsdaten vom letzten gespeichertem Training werden gezeigt

### Trainings Daten Bildschirm (ABB. E-25)

Drücken Sie den Drehschalter um zum Hauptmenu zurückzukehren.

## Zieherzfrequenz

(ABB. E-07)

Drehen Sie den Schalter um die Zielherzfrequenz einzustellen.

(Die Anzahl schwankt mit Bpm-Wert)

Bestätigen Sie durch den Drehschalter einzudrücken und gehen sie sofort zum Einstellungs- Bildschirm

### Einstellungs-Bildschirm (1) (ABB. E-15)

- Drehen Sie den Schalter um die Zielherzfrequenz einzustellen.  
(Die Anzahl schwankt mit Bpm-Wert)
- Bestätigen Sie durch den Drehschalter einzudrücken und gehen sie sofort zum Einstellungs- Bildschirm

### Einstellungs-Bildschirm (2) (ABB. E-16)

- Wählen Sie Programm aus mit dem Drehschalter.
- Bestätigen Sie die Auswahl, indem Sie den Drehschalter drücken und gehen Sie weiter mit die Bereich-Einstellungen (rechts)
- Drehe den Schalter um Einstellbereich zu ändern
- Bestätigen Sie die Auswahl, indem Sie den Drehschalter drücken und gehen sie sofort zum Trainings- Bildschirm.

### Trainings-Bildschirm: (ABB. E-29)

- Die Meldung "No Heart Rate" wird gezeigt wenn die Herzfrequenz vom Benutzer, während dem Training, nicht gemessen wird.

Um das Training zu beenden - siehe " "Beenden des Trainings"

( 39 )

## Manuell

(ABB. E-08)



- Drehe den Schalter und wähle "Manuell"
- Bestätigen Sie die Auswahl indem Sie den Drehschalter drücken und gehen Sie sofort zum Einstellungs-Bildschirm (1)..

### Einstellungs-Bildschirm (1) (ABB. E-13)

- Wählen Sie das Programm mit dem Drehschalter.
- Bestätigen Sie die Auswahl, indem Sie den Drehschalter drücken und gehen Sie weiter mit die Bereich-Einstellungen (rechts).
- Drehe den Schalter um Einstellbereich zu ändern.
- Bestätigen Sie die Auswahl, indem Sie den Drehschalter drücken und gehen sie sofort zum Trainings- Bildschirm

### Trainings-Bildschirm: (ABB. E-23)

Um das Training zu beenden - siehe " "Beenden des Trainings"

 *"Beenden des Trainings"*  
(  39 )

## Preset Programme

(ABB. E-09)

- Drehen Sie den Schalter und wählen Sie "Preset Programme".
- Drücke den Drehschalter zur Bestätigung.. und gehen Sie weiter mit die Bereich-Einstellungen (1).



### Einstellungs-Bildschirm (1) (ABB. E-47)

- Drehen Sie den Schalter und wählen Sie diene programm:
- Drücke den Drehschalter zur Bestätigung.. und gehen Sie weiter mit dem Bereich-Einstellungen (2).

### Einstellungs-Bildschirm (2) (ABB. E-14)

- Drehen Sie den Schalter und wählen Sie.
- Drücke den Drehschalter zur Bestätigung.. und gehen Sie weiter mit dem Bereich-Einstellungen (2).

Um das Training zu beenden - siehe " "Beenden des Trainings"

 *"Beenden des Trainings"*  
(  39 )

## Eigenes Training

(ABB. E-10)

- Drehen Sie den Schalter und wählen Sie. "Eigenes training".
- Bestätigen Sie die Auswahl, indem Sie den Drehschalter drücken und gehen Sie weiter mit die Bereich-Einstellungen (1)



### HINWEIS

- Wenn keine gespeicherte Training gefunden werden, wird das untenstehende Fenster gezeigt. (ABB. E-44)
- Drücke den Drehschalter und gehen Sie zurück zum Hauptmenu.

### Einstellungs-Bildschirm (1) (ABB. E-40)

Einstellungs-Bildschirm (1) ist für gespeicherte Benutzertrainingsdaten.

Diese werden rechts im Bildschirm gezeigt.

- Drehen Sie den Schalter und wählen Sie.
- Bestätigen Sie die Auswahl, indem Sie den Drehschalter drücken und gehen Sie weiter mit die Einstellungs-Bildschirm (1)

### Einstellungs-Bildschirm (ABB. E-43)

- Drehen Sie den Schalter und wählen Sie.

### Wählen "Wiederholung" (Replay)

- Bestätigen Sie die Auswahl, indem Sie den Drehschalter drücken und gehen Sie weiter im Einstellungs-Bildschirm und dem vorigem Training

### Wählen "Bearbeiten" (Edit)

- Bestätigen Sie die Auswahl, indem Sie den Drehschalter drücken
- Geben Sie die Einstellungen ein oder bearbeiten sie diese und bestätigen Sie..
- Drücken Sie den Drehschalter zum bestätigen und gehen sie weiter im Trainings-Bildschirm.

### Wählen "Löschen" (Delete)

- Drehe den Schalter und wähle..
- Bestätigen Sie die Auswahl indem Sie den Drehschaltern drücken und gehen sie sofort zum Selektions-Bildschirm.
- Wähle Yes um die gewählte Datei zu löschen..
- Bestätige durch den Drehschalter zu drücken.

### Trainings-Bildschirm:

Die Trainingswiedergabe ist abhängig vom gewähltem Trainings-Modus.

### Target HR Modus:

Diese ist gleich am Vorprogrammierten Herzfrequenz Programms.



## Fitnessstest

(ABB. E-11)

- Drehe den Schalter und wähle "Fitnessstest".
- Bestätigen Sie die Auswahl indem Sie den Drehschaltern drücken und gehen sie sofort zum Einstellungs- Bildschirm (1).



### HINWEIS

Der User Interface braucht die Benutzerdaten zum Berechnen. Des Fitness Tests, Wenn keine Benutzerdaten bekannt sind, kann der Fitness Test nicht gestartet werden.

Die untenstehende Nachricht wird gezeigt (ABB. E-33)

- Drücke den Drehschalter und gehen Sie zurück zum Hauptmenu.

### Informations-Fenster

"Fitness test is Cooper test user walks / runs as far as possible in 12 minutes".



### HINWEIS

- Geeignet für mehr erfahrene Benutzer.
- Die Zeit ist auf 12 Min. und Steigung auf 1% festgestellt. Benutzer sollte so schnell wie möglich laufen/rennen. Geschwindigkeit wird vom Benutzer eingestellt.
- Bestätigen Sie die Auswahl indem Sie den Drehschalter drücken und gehen sie sofort zum Trainings-Bildschirm.

### Trainings Bildschirm (ABB. E-36)

#### Der Bildschirm zeigt;

#### "Testfehler!" wenn:

- Die Trainingszeit zu kurz ist.

#### "Herzfrequenz nicht festgestellt! wenn:

- Die Herzfrequenz vom Gebraucher wird während dem Training nicht gemessen.

Drücke Back/Stop oder Hauptmenu um den Trainings-Bildschirm zu verlassen.

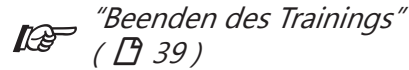
### Trainings Daten Bildschirm (ABB. E-25)

- Press jog wheel to go to VO2 Max test result screen

### VO2 Max test result screen (ABB. E-58)

- Drücke den Drehschalter um zum VO2 Max Testresultat Bildschirm zu gehen.

Um das Training zu beenden - siehe " "Beenden des Trainings"



### VO2 Max test result table. (ABB. E-63)

## T-Road

(ABB. E-12)

- Drehe den Schalter und wähle "T-road".
- Bestätigen Sie die Auswahl indem Sie den Drehschalter drücken und gehen Sie sofort zum Trainings-Bildschirm (1).

### Einstellungs-Bildschirm (1) (ABB. E-54)

Sie können aus 3 unterschiedliche Trainingsstrecken wählen.

Zu wissen: Tuscany Sandy Road/ Tuscany Scenery Road/ Tuscany Country Road.

- Drehe den Schalter und wähle die Trainings Strecke. Bestätige die Auswahl indem Sie den Drehschalter drücken und gehen Sie sofort zum Trainings-Bildschirm. (ABB. E-53)

Drücke den Drehschalter um, während des Trainings, zu wechseln zwischen Video und Profil Bildschirm.

(ABB. E-52)

- Die X-Achse zeigt den Abstand. Km in Metrisch, Mile in Imperial
- Die Y-Achse ist M in Metrisch, Ft in Imperial.
- Drücke den Drehschalter um, während des Trainings, zu wechseln zwischen Video Profile Bildschirm.



### Im Bildschirm "Profil":

- Die Weiße unterbrochene Linie zeigt die aktuelle Position, diese bewegt sich nach rechts wenn die Trainingszeit verstreicht.
- Die Orange Kurve zeigt die Aktuelle Herzfrequenz des Benutzers. Diese Variiert da die Herzfrequenz häufig ändert.

### Im Bildschirm:

- Das Weiße Symbol + 0° links unten auf dem Bildschirm zeigt die Steigung. Diese schwankt mit der Profil-Steigung durch gang Wechsel.
- Drücken Sie Back/Stop, Hauptmenu oder Weiße unterbrochene Linie Wert kann den Bildschirm verlassen wenn Ziel Zahl erreicht wird.

Um das Training zu beenden - siehe " "Beenden des Trainings"

 "Beenden des Trainings"  
(  39 )

## Benutzer-einstellungen

Drücke die "User/Settings" Taste um in den Benutzereinstellungen, Hauptmenu zu gelangen.

- Benutze den Drehschalter um einer der sechs Möglichkeiten auszuwählen...
- Drücke den Drehschalter zur Bestätigung um das gewählte Programm zu öffnen.

## Benutzerprotokoll

(ABB. E-17)

Durch die Auswahl von "Benutzerprotokoll" können Sie sich die Trainingsdaten vom ausgewählten Benutzer ansehen.

Sie können die neuesten Daten oder ein anderes Training vom Benutzer ansehen. (ABB. E-25)

Schließen Sie die Trainingsdaten durch die BACK/ STOP zu drücken.

## Benutzer bearbeiten

(ABB. E-18)

By selecting the "User Setting" you can:

- Die Helligkeit einstellen (Standard = 50%).
- Die gesamte Km-Benutzung vom Trainer nachsehen.
- Die gesamte Zeit-Benutzung vom Trainer nachsehen.
- Die Standard Soft- und Firmware und die Software-Version vom User Interface nachsehen
- Sprache ändern.
- Signalton der Tasten an- (Ja) oder ausschalten (NEIN).

## Benutzereinstellungs-Fenster (ABB. E-57)

### Wie kann Benutzereinstellungen ändern

- Drehen Sie den Schalter um die Einstellung zu wählen das Sie ändern möchten.
- Drücke den Drehschalter um die ausgewählte Einstellung in der rechten Seite vom Bildschirm zu öffnen.
- Drehe den Schalter um die Einstellung zu ändern.
- Drücke den Drehschalter zur Bestätigung der Änderung.
- Drehe den Schalter um die nächste Einstellung zu ändern oder benutze die Back/ Stop Taste um zum Einstellungsmenu zurückzukehren.

## Bearbeiten

Durch den „Bearbeiten“ durch diesen zu selektieren und bearbeiten zu wählen, können sie die untenstehenden Einstellungen ändern: (ABB. E-34)

### Benutzer Name:

- Drehe den Schalter und wähle "Name".
- Drücke den Drehschalter um "Name" Bearbeitung zu wählen.
- Drehe den Schalter um den Buchstabe zu wählen.
- Drücke den Drehschalter zur Bestätigung.
- Drehe den Schalter um den nächsten Buchstabe zu wählen.
- Wenn der Name Korrekt geändert ist, wähle "✓" um diesen zu Bestätigen und kehre zurück zum Bearbeitungsmenu..

### Einheiten

- Drehe den Schalter und wähle "Einheiten".
- Drücke den Drehschalter um "Einheiten" Bearbeitung zu wählen.
- Drehe den Schalter zu wählen  
Metrisch: km/kph/Kcal  
Imperial: mile/mpH/kcal.
- Drücke den Drehschalter um diese Einstellung zu Bestätigen und kehre zurück zum Bearbeitungsmenu

### Anzeige

- Drehe den Schalter und wähle "Anzeige".
- Drücke den Drehschalter um "Display" zu bearbeiten.
- Drehe den Schalter um die untenstehende Daten zu ändern. Nach oben zählen: die Einstellungen Zeit/ Abstand, werden addiert..  
Nach untenbestand, werden subtrahiert.
- Drücke den Drehschalter um diese Einstellung zu Bestätigen und kehre zurück zum Bearbeitungsmenu..

### Geschlecht

- Drehe den Schalter und wähle "Geschlecht".
- Drücke den Drehschalter um "Display" zu bearbeiten..
- Drehe den Schalter um Männlich/Weiblich zu wählen.
- Drücke den Drehschalter um diese Einstellung zu Bestätigen und kehre zurück zum Bearbeitungsmenu.

### Alter

- Drehe den Schalter und wähle "Alter".
- Drücke den Drehschalter um "Alter" zu bearbeiten..
- Drehe den Schalter um das Alter zu ändern.
- Drücke den Drehschalter um diese Einstellung zu Bestätigen und kehre zurück zum Bearbeitungsmenu.

## Körpergröße

- Drehe den Schalter und wähle "Körpergröße".
- Drücke den Drehschalter um "Größe" zu bearbeiten
- Drehe den Schalter um "Größe" zu ändern. In Cm wenn in Metrische-, in Ft/Inch wenn in Imperial eingestellt.
- Drücke den Drehschalter um diese Einstellung zu Bestätigen und kehre zurück zum Bearbeitungsmenu.

## Gewicht

- Drehe den Schalter und wähle "Gewicht".
- Drücke den Drehschalter um "Gewicht" zu bearbeiten
- Drehe den Schalter um "Gewicht" zu ändern. In Kg wenn in Metrische-, in Lbs wenn in Imperial eingestellt.
- Drücke den Drehschalter um diese Einstellung zu Bestätigen und kehre zurück zum Bearbeitungsmenu.

## Max HF

- Drehe den Schalter und wähle " Max HF ".
- Drehe den Schalter um " Max HR " zu bearbeiten. Standard wenn Fraulich – 220 Alter wenn Männlich – 226 Alter
- Drücke den Drehschalter um diese Einstellung zu Bestätigen und kehre zurück zum Bearbeitungsmenu.

## Höchstgeschwindigkeit

- Drehe den Schalter und wähle "Höchstgeschwindigkeit".
- Drücke den Drehschalter um "Höchstgeschwindigkeit" zu bearbeiten..
- Drehe den Schalter um das „Höchstgeschwindigkeit" zu ändern.
- Drücke den Drehschalter um diese Einstellung zu Bestätigen und kehre zurück zum Bearbeitungsmenu



### HINWEIS

- die "Höchstgeschwindigkeit" Dies ist die maximale laufband Geschwindigkeit im manuellen als auch im Programm-Profil.

## Benutzer Löschen

(ABB. E-20)

Durch den "Benutzer Löschen" zu wählen, können Sie Benutzer und alle Daten löschen.

- Drehe den Schalter und wählen Sie den Benutzer den Sie löschen möchten.
- Drücke den Drehschalter um den Benutzer zu löschen und kehre zurück zum Bearbeitungsmenu.

*Benutzer wird, ohne weitere Nachfrage gelöscht.*

## Benutzer ändern

(ABB. E-21)

Durch den "Benutzer ändern" zu wählen, können Sie Select an other preset user profile.

- Drehe den Schalter und wählen Sie den Benutzer den Sie aktivieren möchten.
- Drücke den Drehschalter zur Bestätigung und kehre zurück zum Bearbeitungsmenu

## Benutzer erstellen

(ABB. E-22)

Durch "Benutzer erstellen" können sie ein neues Benutzerprofil machen. Es können maximal 8 Benutzer eingegeben werden.

Bei "Benutzer bearbeiten" sehen Sie die Möglichkeiten um einen Benutzer zu erstellen. (ABB. E-31)

## Garantie

### Eigentümer-garantie für Tunturi fitnessgeräte.

#### Garantiebedingungen

Der Käufer ist berechtigt die den Handel mit Konsumgütern betreffenden gesetzlichen Rechte gemäß der nationalen Gesetzgebung in Anwendung zu bringen. Diese Rechte werden durch die Garantie nicht eingeschränkt. Bedingungen zu ersetzen. Die Eigentümer-Garantie gilt nur dann, wenn das Gerät in einer für entsprechende Geräte der Tunturi New Fitness BV zugelassenen Anwendungsumgebung verwendet wird. Die für das Gerät zugelassene Anwendungsumgebung wird in der Bedienungsanleitung des Geräts genannt.

#### Garantiedauer

Die Garantie gilt ab Kaufdatum. Die Garantiedauer kann sich je nach Land unterscheiden. Bitte wenden Sie sich an Ihren zuständigen Händler, um die Garantiedauer zu erfahren.

## Garantieumfang

Unter keinen Umständen haften die Tunturi New Fitness BV oder der Tunturi-Vertragshändler für dem Käufer möglicherweise zugefügte indirekte Schäden wie Gebrauchsbeeinträchtigung oder Einkommensverlust oder anderen wirtschaftlichen Folgeschäden.

## Einschränkungen der Garantie

Die Garantie deckt durch Herstellung oder Material hervorgerufene Fehler des Fitnessgeräts in dessen ursprünglicher Zusammensetzung. Unter Voraussetzung, dass die Aufbau-, Pflege- und Gebrauchsanweisungen von Tunturi befolgt wurden, erstreckt sich die Garantie auf solche Fehler, die bei normaler und einem dem Gerät beiliegenden Anleitungsbuch entsprechender Benutzung auftreten können. Die Tunturi New Fitness BV und der Tunturi-Vertragshändler haften nicht für Fehler, die durch Faktoren außerhalb ihrer Einflussmöglichkeiten hervorgerufen wurden. Die Garantie gilt nur für den ursprünglichen Eigentümer und nur in den Ländern, in denen es einen von der Tunturi New Fitness BV autorisierten Importeur gibt. Die Garantie gilt nicht für solche Fitnessgeräte oder Teile, an denen ohne Zustimmung der Tunturi New Fitness BV Veränderungen vorgenommen worden sind. Die Garantie betrifft auch nicht solche Schäden, die durch natürlichen Verschleiß, fehlerhaften Gebrauch, Benutzung unter für das Gerät nicht vorgesehenen Umständen, Korrosion, Verladung oder Transport hervorgerufen wurden.

Ersatzleistungen aufgrund von Geräuschen, die beim Einsatz des Geräts auftreten, sind von der Garantie ausgeschlossen, sofern diese Geräusche den Gebrauch des Geräts nicht wesentlich beeinträchtigen und nicht durch einen Gerätefehler bedingt sind.

Die Garantie beinhaltet keine Wartungsmaßnahmen, wie Reinigung, Schmieren oder normales Kontrollieren der Teile, auch nicht solche Aufbaumaßnahmen, die der Kunde selbst ausführen kann und die kein spezielles Auseinander- oder Zusammenbauen des Fitnessgeräts erfordern. Zu solchen Maßnahmen gehört beispielsweise das Austauschen von Cockpits, Pedalen oder anderer entsprechender einfacher Teile. Andere als die durch einen autorisierten Tunturi-Vertreter ausgeführten Garantieleistungen werden nicht ersetzt. Durch unsachgemäße, d.h. nicht der Bedienungsanleitung entsprechenden, Bedienung, verfällt jedweder Garantieanspruch.

## Reinigung und Wartung



### WARNUNG

- Ziehen Sie vor der Reinigung und Wartung den Netzstecker aus der Wandsteckdose.
  - Verwenden Sie zur Reinigung des Geräts keine Lösungsmittel.
- Blockieren Sie nicht die Belüftungsöffnungen. Halten Sie die Belüftungsöffnungen frei von Staub, Schmutz und anderen Hindernissen.
  - Reinigen Sie das Gerät nach dem Gebrauch mit einem weichen aufnahmefähigen Lappen.
  - Reinigen Sie die sichtbaren Teile des Geräts mit einem Staubsauger mit kleiner Saugdüse.
  - Prüfen Sie regelmäßig, ob alle Schrauben und Muttern fest sind.

## Gurt und Lauffläche

Ihr Laufband hat ein sehr hocheffizientes reibungsarmes Band. Die Leistung wird erhöht, wenn die Lauffläche so sauber wie möglich ist. Verwenden ein weiches, feuchtes Tuch oder Papier, um die Ecken des Gurts und den Bereich zwischen Gurt und Rahmen zu reinigen. Reichen Sie dabei auch soweit wie möglich unter die Bändecken. Dies sollten Sie einmal in Monat tun, um die Lebensdauer der Lauffläche zu erhalten. Verwenden Sie nur Wasser - keine Reinigungs- oder Scheuermittel. Ein milde Seifenlösung mit einem Nylonscheuerschwamm kann verwendet werden, um die Oberfläche des Stoffbands zu reinigen. Das Band sollte vor der Nutzung getrocknet sein.



### WARNUNG

- Das Laufband ist vorgewachst. Jede Schmierung schränkt die Leistung und Haltbarkeit des Laufbands ein.

## Bandstaub

Dies kommt bei normalem Einlaufen oder bei der Bandstabilisierung vor. Wischen Sie ihn mit einem feuchten Tuch auf.

## Allgemeine Reinigung

Dreck, Staub und Tierhaare können die Ventilation verstopfen und sich auf dem Band sammeln. Monatlich: Unter dem Laufband staubsaugen. Zweimal im Jahr sollte die schwarz Motorabdeckung entfernt und gesaugt werden. VOR DER REINIGUNG STROMKABEL ABZIEHEN.

## Gurteinstellungen (ABB. E-60)

Die Einstellung wird an der hinteren Rolle vorgenommen. Die Einstellungsschrauben befinden sich am Ende der Schienen in den Endkappen.

- Ziehen Sie die hinteren Rollenschrauben (im Uhrzeigersinn) soweit fest, dass ein Abrutschen von der vorderen Rolle verhindert wird. Drehen Sie beide Laufband-Zugspannungseinstellungsschrauben stufenweise um 1/4-Umdrehung und überprüfen Sie jeweils die Zugspannung, indem Sie bei geringer Geschwindigkeit auf dem Band laufen. Das Band sollte nicht verrutschen. Ziehen Sie die Schrauben soweit an, dass das Band nicht mehr verrutscht.
- Wenn Sie das Gefühl haben, dass das Band genügend gespannt ist, aber immer noch verrutscht, könnte die Ursache ein loses Motorantriebsband unter der vorderen Abdeckung sein.
- Nicht Überspannen  
Eine Überspannung führt zu Schäden am Band und vorzeitigem Verschleiß der Lager.

### Laufband-spureinstellung:

Die Leistung Ihres Laufbands hängt davon ab, dass es auf einer geraden Oberfläche läuft. Wenn der Rahmen nicht gerade ist, können die vorderen und hinteren Rollen nicht parallel laufen und das Band muss immer nachgestellt werden.

Das Laufband wurde so entwickelt, dass das Band immer in der Mitte läuft. Bei einigen Bändern ist es normal, dass das Band zu einer Seite zieht, wenn keine Person darauf läuft. Nach ein paar Minuten der Nutzung sollte sich das Band von alleine zentriert haben. Wenn der Gurt bei der Nutzung zu einer Seite zieht, muss dies eingestellt werden.

Ausnahme:

In der Reha, bei der Benutzer ein Bein stärker belasten als das andere, kann es vorkommen, dass das Band zu einer Seite zieht. In diesen Fällen sollten Sie das Band nicht einstellen, es sei denn, das Band verläuft bei normaler Nutzung nicht mehr zentral.

### Einstellung der laufbandspur (ABB. E-59)

Für die hintere Rolle wird ein 10 mm-Inbusschlüssel benötigt. Spureinstellungen müssen von der linken Seite erfolgen. Stellen Sie die Bandgeschwindigkeit auf etwa 3 bis 5 km/h ein.

Denken Sie daran, dass eine kleine Änderung große Folgen haben kann!

Drehen Sie die Schraube im Uhrzeigersinn, um das Band nach rechts zu ziehen. Drehen Sie gegen den Uhrzeigersinn, zieht das Band nach links. Drehen Sie die Schraube nur etwa 1/4 Umdrehung und warten Sie ein paar Minuten, bis sich das Band selbst nachführt. Machen Sie eine weitere 1/4-Umdrehung, bis sich das Band in der Mitte der Lauffläche stabilisiert.

Das Band muss möglicherweise regelmäßig nachgestellt werden, je nach Nutzungs- und Laufverhalten. Verschiedene Benutzer wirken unterschiedlich auf das Band. Sie müssen das Band so einstellen, dass es in der Mitte der Fläche verläuft. Die Einstellungen werden im Laufe der Nutzung weniger aufwändig. Eine richtige Bandspurführung liegt in der Verantwortung des Besitzers.



### HINWEIS

- Schäden am Laufband durch fehlerhafte Spureinstellungen, sind nicht von der Garantie abgedeckt.

## Betriebs- störungen

Trotz kontinuierlicher Qualitätsüberwachung können vereinzelt an den Geräten durch einzelne Komponenten verursachte Funktionsstörungen auftreten. Dabei ist es nicht angebracht, das ganze Gerät zur Reparatur zu bringen, da der Fehler meistens durch Austauschen der defekten Komponente behoben werden kann.

Wenn das Gerät während des Gebrauchs nicht einwandfrei funktioniert, wenden Sie sich bitte umgehend an die für Sie zuständige Tunturi-Alleinvertretung. Beschreiben Sie das Problem, die Einsatzbedingungen und teilen Sie das Kaufdatum und die Typenbezeichnung und die Seriennummer Ihres Gerätes mit.

Wenden Sie sich an Ihre nationale Tunturi-Vertretung, wenn Sie Ersatzteile benötigen. Beschreiben Sie die Einsatzbedingungen und teilen Sie das Kaufdatum und die Seriennummer des Gerätes mit. Die Ersatzteilnummern finden Sie in der Liste am Ende dieser Anweisung. Nur Teile in der Ersatzteilliste dürfen verwendet werden.

## Transport and storage



### WARNING

- Carry and move the equipment with at least two persons.
- Remain standing in front of the equipment on each side and take a sturdy grip at the handlebars. Tilt the front of the equipment so as to lift the rear of the equipment on the wheels. Move the equipment and carefully put the equipment down. Place the equipment on a protective base to prevent damage to the floor surface.

- Move the equipment carefully over uneven surfaces. Do not move the equipment upstairs using the wheels, but carry the equipment by the handlebars.
- Store the equipment in a dry place with as little temperature variation as possible.

## **Technische Daten**

<b>Parameter</b>	<b>Maßeinheit</b>	<b>Wert</b>
Netzspannung	Vac	230
Netzfrequenz	HZ	50 ~ 60
Motor	PS	5.0
Geschwindigkeit	Km/h	0.5 - 22.0
Geschwindigkeit	Mph	0,3 - 13.7
Steigung	%	0 - 15
Länge	Cm	213
Länge	Inch	83.7
Breite	Cm	89
Breite	Inch	35.1
Höhe	Cm	144
Höhe	Inch	56.7
Gewicht	Kg	95.0
Gewicht	Lbs	209.2
Max. Benutzergewicht	Kg	150
Max. Benutzergewicht	Lbs	330

## **Declaration of the manufacturer**

Tunturi New Fitness BV declares that the product is in conformity with the following standards and directives: EN 957 (HB), 89/336/EEC. The product therefore carries the CE label.

01-2017

Tunturi New Fitness BV  
 Purmerweg 1  
 1311 XE Almere  
 The Netherlands

## **Disclaimer**

© 2017 Tunturi New Fitness BV  
 All rights reserved.

The product and the manual are subject to change.  
 Specifications can be changed without further notice.

## Français

Ce manuel français est une traduction de la version anglaise. Notez que la version anglaise est en tête dans le contenu lorsque des différences sont trouvées.

## Indice

<b>Tapis de course</b> .....	<b>47</b>
<b>Avertissements de sécurité</b> .....	<b>47</b>
Sécurité électrique	48
Description (FIG. A)	49
Contenu de l'emballage (FIG. B & C)	49
Assemblage (FIG. D)	49
Serrer les écrous et les boulons/vis	49
<b>Exercices</b> .....	<b>49</b>
Instructions d'entraînement	49
Fréquence cardiaque	50
<b>Usage</b> .....	<b>51</b>
<b>Interface de l'utilisateur (fig E-1)</b> .....	<b>52</b>
Molette et boutons (FIG. E-03)	52
Écran de démarrage	52
Écran d'entraînement général	52
<b>Programmes</b> .....	<b>53</b>
Démarrage rapide	53
Fin de l'entraînement	53
Pouls Constant	53
Manuel...	53
Preset Programmes	54
Profils Personnels	54
Test De Fitness	55
T-Road ...	55
<b>Paramètres de l'utilisateur</b> .....	<b>56</b>
Journal utilisateur	56
Modifier utilisateur	56
Modifier Utilisateur	56
Effacer utilisateur	57
Changer Utilisateur	57
Créer utilisateur	57
<b>Garantie</b> .....	<b>57</b>
<b>Données techniques</b> .....	<b>58</b>
<b>Déclaration du fabricant</b> .....	<b>58</b>
<b>Limite de responsabilité</b> .....	<b>58</b>

## Tapis de course

Bienvenue dans l'univers de Tunturi Fitness !  
 Merci pour votre achat de cet élément d'équipement Tunturi. Tunturi offre toute une gamme d'équipements de fitness professionnels, notamment des vélos elliptiques, tapis de course, vélos d'appartement, rameurs et accessoires. Les équipements Tunturi sont parfaits pour toute la famille, quel que soit le niveau de forme de ses membres. Pour en savoir plus, visitez notre site Web [www.tunturi.com](http://www.tunturi.com)

### Consignes de sécurité importantes

Lisez attentivement ce mode d'emploi avant d'assembler, d'utiliser ou d'effectuer l'entretien de votre appareil sportif. Veuillez conserver ce guide, il contient les renseignements dont vous aurez besoin, maintenant et plus tard, pour utiliser et entretenir votre appareil. Suivez toujours les instructions très rigoureusement.

## Avertissements de sécurité



### AVERTISSEMENT

- Lisez les avertissements de sécurité et les instructions. Le non respect des avertissements de sécurité et des instructions est une source de blessure et de dégâts de l'équipement. Conservez les avertissements de sécurité et les instructions pour référence ultérieure.



### AVERTISSEMENT

- Les systèmes de suivi de la fréquence cardiaque peuvent être inexacts. Un exercice excessif peut entraîner des blessures graves voire mortelles. Si vous vous sentez défaillir, interrompez immédiatement l'exercice.
- L'équipement est adapté à un usage domestique et professionnel uniquement (par ex. hôpitaux, caserne de pompiers, hôtels, écoles, etc.). La durée d'utilisation maximum est limitée à 6 heures par jour. L'équipement n'est pas adapté à un usage commercial complet (par ex. grands centres de gym).
- L'emploi de cet équipement par des enfants ou des personnes affectés d'un handicap physique, sensoriel, mental ou moteur, voire dont l'expérience ou les connaissances s'avèrent insuffisantes est une source de risques. Les personnes chargées de leur sécurité doivent leur fournir des instructions explicites ou superviser leur usage de l'équipement.
- Avant de commencer vos exercices, effectuez un bilan de santé auprès d'un médecin.

- Si vous êtes pris de nausées ou de vertiges ou sentez d'autres symptômes normaux pendant l'entraînement, interrompez immédiatement la session et consultez votre médecin.
- Afin d'éviter toutes douleurs et tensions musculaires, commencez vos séances par des échauffements et terminez-les par une récupération. N'oubliez pas de vous étirer après vos exercices.
- L'équipement est uniquement adapté à un usage intérieur. L'équipement ne convient pas à un usage extérieur.
- Utilisez l'équipement uniquement dans des environnements correctement ventilés. N'utilisez pas l'équipement dans des endroits exposés aux courants d'air afin de ne pas vous enrhumers.
- Utilisez l'équipement uniquement à une température ambiante entre 10 °C et 35 °C. Rangez l'équipement uniquement à une température ambiante entre 5 °C et 45 °C.
- N'utilisez et ne rangez pas l'équipement dans un environnement humide. L'humidité de l'air ne doit jamais dépasser 80 %.
- Utilisez l'équipement uniquement pour son usage prévu. N'utilisez pas l'équipement pour d'autres usages que ceux décrits dans le manuel.
- N'utilisez pas l'équipement si l'une de ses pièces est endommagée ou défectueuse. Si une pièce est endommagée ou défectueuse, contactez votre revendeur.
- Maintenez vos mains, vos pieds et les autres parties de votre corps à l'écart des pièces mobiles.
- Maintenez votre chevelure à l'écart des pièces mobiles.
- Portez des vêtements et des chaussures adaptés.
- Maintenez les vêtements, bijoux et autres objets à l'écart des pièces mobiles.
- Assurez-vous qu'une seule personne utilise l'équipement à la fois. L'équipement ne doit pas être utilisé par des personnes pesant plus de 150 kg (330 lb).
- N'ouvrez pas l'équipement sans consulter votre revendeur.

## Sécurité électrique

(Uniquement pour les équipements à alimentation électrique)

- Avant usage, assurez-vous toujours que la tension secteur est identique à celle de la plaque signalétique de l'équipement.
- N'utilisez pas de rallonge.
- Maintenez le câble secteur à l'écart de la chaleur, de l'huile et des bords coupants.
- N'altérez et ne modifiez aucunement le câble secteur ou la fiche secteur.
- N'utilisez pas l'équipement si le câble secteur ou la fiche secteur est endommagé ou défectueux. Si le câble secteur ou la fiche secteur est endommagé ou défectueux, contactez votre revendeur.
- Déroulez toujours complètement le câble secteur.

- Ne passez pas le câble secteur sous l'équipement. Ne passez pas le câble secteur sous un tapis. Ne placez aucun objet sur le câble secteur.
- Assurez-vous que le câble secteur ne pend pas sur le bord d'une table. Assurez-vous que le câble secteur ne peut pas être happé par accident ou faire trébucher.
- Ne laissez pas l'équipement sans surveillance si la fiche secteur est insérée dans la prise murale.
- Ne tirez pas sur le câble secteur pour retirer la fiche secteur de la prise murale.
- Retirez la fiche secteur de la prise murale lorsque l'équipement n'est pas utilisé, avant l'assemblage et le démontage et avant le nettoyage et la maintenance.



### AVERTISSEMENT

- Une variation de tension d'au moins dix pour cent (10 %) peut avoir une incidence sur les performances du tapis de course. De telles conditions ne sont pas couvertes par votre garantie. Si vous avez l'impression que la tension est trop basse, vous devez contacter votre compagnie d'électricité ou un électricien qualifié pour tester le circuit électrique.



### AVERTISSEMENT

- NE JAMAIS utiliser une prise murale équipée d'un interrupteur différentiel (RCD - Residual Current Device – version U.S. = GFCI) avec ce tapis de course. Comme avec n'importe quel appareil équipé d'un moteur puissant, le dispositif RCD / GFCI se déclenche souvent. Eloignez de câble d'alimentation de toute pièce mobile du tapis de course, y compris du mécanisme d'inclinaison et des roulettes destinées au transport.

## Instructions de mise à la terre

Ce produit doit être mis à la terre. Si le système électrique du tapis de course présente une défaillance ou une panne, sa mise à la terre fournit un chemin de moindre résistance au courant électrique, réduisant ainsi le risque de décharge électrique. Ce produit est équipé d'un câble pourvu d'une fiche de terre. Cette fiche doit être branchée dans une prise appropriée, correctement installée et mise à la terre conformément aux normes et règlements locaux.



### AVERTISSEMENT

- Un branchement inadéquat du conducteur de terre peut entraîner des risques de décharge électrique. Veuillez consulter un électricien qualifié si vous avez des doutes sur la mise à la terre du produit selon les règles. Ne modifiez pas la fiche fournie avec le produit lorsqu'elle n'entre pas dans la prise ; faites installer une prise adéquate par un électricien qualifié.



## Description (FIG. A)

Votre tapis de course est un élément d'équipement de fitness stationnaire servant à imuler la marche ou la course sans exercer de pression excessive sur les jointures.

## Contenu de l'emballage (FIG. B & C)

- L'emballage contient les pièces illustrées en fig. B.
- L'emballage contient les fixations illustrées en fig. C. Voir la section "Description".



### NOTE

- Si une pièce manque, contactez votre revendeur.

## Assemblage (FIG. D)



### AVERTISSEMENT

- Assemblez l'équipement dans l'ordre indiqué.
- Deux personnes au moins sont nécessaires pour transporter et déplacer l'équipement.



### PRÉCAUTION

- Placez l'équipement sur une surface plane et ferme.
- Placez l'équipement sur une base protectrice pour éviter d'endommager la surface du sol.
- Prévoyez un dégagement d'au moins 100 cm autour de l'équipement.

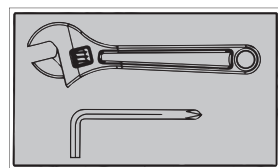
- Consultez les illustrations pour l'assemblage correct de l'équipement.



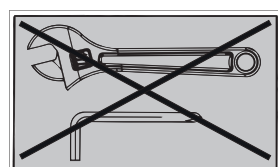
### Assemblage note (FIG. D-3A)

Placez les supports (3 & 4) sur le dos de la console, vous pouvez serrer les vis après.

## Serrer les écrous et les boulons/vis



Serrez fermement tous les écrous et vis après que tous les composants aient été assemblés au cours des étapes actuelles et précédentes.



Ne pas serrer les écrous et les vis/boulons à cette étape.



### NOTE

- Conservez les outils livrés avec ce produit après son montage, pour d'éventuels entretiens.

## Exercices

Un exercice doit être suffisamment léger mais prolongé. L'exercice aérobic repose sur l'amélioration de l'absorption maximum d'oxygène par le corps, améliorant à son tour l'endurance et la forme. Vous devez transpirer mais sans jamais être à bout de souffle durant l'exercice.

Pour atteindre et entretenir un niveau de forme basique, exercez-vous au moins 3 fois par semaine, par session de 30 minutes. Accroissez le nombre des sessions d'exercice pour améliorer votre niveau de forme. Il est profitable de combiner un exercice régulier et un régime sain. Une personne suivant un régime doit s'exercer au quotidien, au début 30 minutes ou moins pour chaque session afin d'accroître ensuite progressivement le temps d'exercice quotidien pour atteindre une heure. Commencez vos exercices à une vitesse lente et avec une faible résistance pour éviter de soumettre le système cardiovasculaire à une contrainte excessive. À mesure de l'amélioration de votre forme, accroissez progressivement la vitesse et la résistance. L'efficacité de votre exercice est mesurable en suivant votre fréquence cardiaque et votre pouls.

## Instructions d'entraînement

L'utilisation de votre appareil de fitness vous procurera plusieurs avantages : il vous permettra d'améliorer votre forme physique, de tonifier vos muscles et, associé à un régime hypocalorique, de perdre du poids.

### Phase d'échauffement

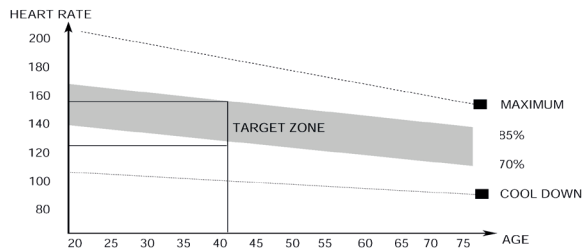
Cette étape favorise la circulation du sang dans tout le corps et le bon fonctionnement des muscles. Elle réduit également le

risque de crampes et de lésions musculaires. Il est conseillé de faire quelques exercices d'étirement, comme ceux qui sont indiqués ci-dessous. Chaque étirement doit être maintenu pendant environ 30 secondes. Ne forcez pas ou n'étirez pas excessivement un muscle.

Si vous sentez qu'une position vous fait mal, ARRÊTEZ.

## Phase d'exercice

C'est l'étape principale de votre entraînement. Après une utilisation régulière de l'appareil, vous sentirez que les muscles de vos jambes ont gagné en souplesse. Il est très important de maintenir un rythme régulier tout au long de la séance. Le rythme de travail doit être suffisant pour faire monter votre rythme cardiaque dans la zone cible indiquée sur le graphique ci-dessous.



Cette étape doit durer au moins 12 minutes, bien que l'on commence généralement à environ 15-20 minutes.

## Phase de refroidissement

Cette étape a pour objectif de laisser votre système cardiovasculaire et vos muscles reprendre leur rythme normal. Il s'agit d'une répétition de l'exercice d'échauffement. Baissez le rythme et continuez pendant environ 5 minutes. Vous devez ensuite refaire les exercices d'étirement et souvenez-vous de ne pas forcer ou trop étirer un muscle dans une certaine position.

À mesure que vous améliorerez votre forme, vous ressentirez peut-être le besoin de vous entraîner plus longtemps ou de faire des entraînements plus poussés. Il est conseillé de s'entraîner au moins trois fois par semaine et, si possible, d'espacer les séances régulièrement tout au long de la semaine.

## Tonification musculaire

Pour tonifier vos muscles à l'aide de l'appareil de fitness, vous devrez sélectionner une résistance assez élevée. Les muscles de vos jambes seront davantage sollicités et vous ne pourrez peut-être pas vous entraîner aussi longtemps que vous le voudriez. Si vous souhaitez également améliorer votre forme, vous devrez modifier votre programme d'entraînement. Entraînez-vous normalement pendant les phases d'échauffement et de refroidissement, mais vers la fin de l'exercice, augmentez la résistance en faisant travailler vos jambes davantage. Vous devrez réduire la vitesse pour maintenir votre rythme cardiaque dans la zone cible.

## Perte de poids

Ici, le facteur important est l'effort que vous déployez. Plus vous entraînez longtemps et de manière soutenue, plus vous brûlerez de calories. C'est en réalité le même principe que pour l'entraînement d'amélioration de la forme ; la différence est l'objectif recherché.

## Fréquence cardiaque

### Mesure du pouls (pulsomètres)

Le pouls est mesuré par des capteurs dans les poignées lorsque l'utilisateur touche les deux capteurs à la fois. La mesure la plus précise du pouls nécessite une peau légèrement humide et un contact constant des pulsomètres. Si la peau est trop sèche ou humide, la mesure du pouls peut devenir moins précise.



#### NOTE

- N'utilisez pas les pulsomètres en même temps que la sangle thoracique de fréquence cardiaque.
- – Si vous réglez une fréquence cardiaque limite pour votre exercice, une alarme retentit dès qu'elle est dépassée.

### Mesure de la fréquence cardiaque (sangle thoracique de fréquence cardiaque)

La sangle thoracique de fréquence cardiaque assure la mesure de fréquence cardiaque la plus précise. La fréquence cardiaque est mesurée par un récepteur combiné à la sangle thoracique de fréquence cardiaque. Une mesure précise de la fréquence cardiaque nécessite des électrodes de sangle émettrice légèrement humides et en contact constant avec la peau. Si les électrodes sont trop sèches ou humides, la mesure de la fréquence cardiaque peut devenir moins précise.



#### AVERTISSEMENT

- Si vous portez un stimulateur cardiaque, consultez votre médecin avant d'utiliser une sangle thoracique de fréquence cardiaque.



#### PRÉCAUTION

- Si plusieurs dispositifs de mesure de la fréquence cardiaque sont proches les uns des autres, assurez-vous qu'ils sont au moins distants de 2 mètres.
- En présence d'un récepteur unique de fréquence cardiaque pour plusieurs émetteurs, assurez-vous qu'une seule personne avec un émetteur est à portée de transmission.



#### NOTE

- N'utilisez pas les pulsomètres en même temps que la sangle thoracique de fréquence cardiaque.
- Portez toujours la sangle thoracique de fréquence cardiaque sous vos vêtements, en contact direct avec votre peau. Ne portez pas votre sangle thoracique de fréquence cardiaque par-dessus vos vêtements. Si vous portez la sangle thoracique de fréquence cardiaque sur vos vêtements, il n'y a pas de signal.

- Si vous réglez une fréquence cardiaque limite pour votre exercice, une alarme retentit dès qu'elle est dépassée.
- L'émetteur transmet la fréquence cardiaque à une console jusqu'à une distance de 1,5 mètre. Si les électrodes ne sont pas suffisamment mouillées, votre fréquence cardiaque ne s'affiche pas.
- Certaines fibres des vêtements (par ex. polyester, polyamide) créent de l'électricité statique qui peut empêcher la mesure précise de la fréquence cardiaque.
- Les téléphones portables, télévisions et autres appareils électriques créent un champ électromagnétique susceptible d'empêcher une mesure précise de la fréquence cardiaque.

### Fréquence cardiaque maximum (durant l'exercice)

La fréquence cardiaque maximum est la fréquence la plus élevée qu'une personne peut atteindre en toute sécurité sous la contrainte de l'exercice. La formule suivante sert à calculer la fréquence cardiaque maximum moyenne :  $220 - \text{ÂGE}$  La fréquence cardiaque maximum varie d'une personne à l'autre.



#### AVERTISSEMENT

- Assurez-vous de ne pas dépasser votre fréquence cardiaque maximum durant l'exercice. Si vous appartenez à un groupe à risque, consultez un médecin.

#### Débutant

#### 50-60% de fréquence cardiaque maximum

Adapté aux débutants, aux personnes suivant leur poids, aux convalescents et aux personnes ne s'exerçant pas depuis un certain temps. Exercez-vous au moins trois fois par semaine, par session de 30 minutes.

#### Avancé

#### 60-70% de fréquence cardiaque maximum

Adapté aux personnes souhaitant améliorer et entretenir leur forme. Exercez-vous au moins trois fois par semaine, par session de 30 minutes.

#### Expert

#### 70-80% de fréquence cardiaque maximum

Adapté aux personnes les plus en forme, habituées aux exercices d'endurance prolongés.

## Usage

### Interrupteur d'alimentation principale (FIG. E-2)

L'équipement comporte un interrupteur d'alimentation principale pour le mettre complètement hors tension.

### Démarrage de l'équipement:

- Insérez la fiche secteur dans l'équipement.
- Insérez la fiche secteur dans la prise murale.
- Positionnez l'interrupteur d'alimentation principale sur marche (ON).

### Arrêt de l'équipement :

- Positionnez l'interrupteur d'alimentation principale sur arrêt (OFF).
- Retirez la fiche secteur de la prise murale.
- Retirez la fiche secteur de l'équipement.

### Clé de sécurité (FIG. E-1)

L'équipement comporte une clé de sécurité qui doit être correctement insérée dans la console pour démarrer l'équipement. Si vous retirez la clé de sécurité de la console, l'équipement s'arrête immédiatement.

- Insérez la clé de sécurité dans la fente de la console.
- Assurez-vous que le clip de la clé de sécurité est bien fixé à vos vêtements. Assurez-vous que le clip n'est pas retiré de vos vêtements avant que la clé de sécurité ne soit retirée de la console.

### Disjoncteur (FIG. E-2)

L'équipement comporte un disjoncteur qui coupe le circuit d'alimentation si la charge électrique dépasse la capacité maximum. En ce cas, vous devez appuyer sur le disjoncteur.



#### AVERTISSEMENT

- Avant d'appuyer sur le disjoncteur, retirez la fiche secteur de l'équipement.

Si l'équipement s'arrête, procédez comme suit pour le redémarrer :

- Retirez la fiche secteur de l'équipement.
- Appuyez sur le disjoncteur pour redémarrer l'équipement.
- Insérez la fiche secteur dans l'équipement.



#### NOTE

Certains disjoncteurs utilisés dans des habitations ne sont pas conçus pour les appels de courant importants qui peuvent se produire lors de la mise en marche d'un tapis de course, voire pendant une utilisation normale. Si votre tapis de course déclenche le disjoncteur (même si la tension est correcte et si le tapis est le seul appareil branché sur le circuit), mais si le disjoncteur du tapis de course ne se déclenche pas, vous devez remplacer le disjoncteur par un type conçu pour des appels de courant importants. Il ne s'agit pas d'un défaut de garantie. C'est une situation qui échappe à notre contrôle en tant que fabricant.

## Interface de l'utilisateur (fig E-1)



### PRÉCAUTION

- Maintenez la console à l'écart de la lumière directe du soleil.
- Séchez la surface de la console dès qu'elle est couverte de gouttes de sueur.
- Ne vous appuyez pas sur la console.
- Touchez l'affichage uniquement avec le bout du doigt. Assurez-vous de ne pas toucher l'affichage avec vos ongles ou des objets coupants.



### NOTE

- La console passe en mode de veille si l'équipement n'est pas utilisé pendant 4 minutes.

## Molette et boutons (FIG. E-03)

### Bouton Back, Stop:

- Ce bouton permet de retourner à la fenêtre précédente.
- Il arrête l'entraînement en cours.

### Utilisateur/Paramètres:

- Appuyez sur ce bouton pour entrer dans l'écran du mode Utilisateur/Paramètres.
- Ce bouton est inactif pendant l'entraînement.

### SPEED +

Ce bouton augmente la vitesse (0.5 to 22Kph). En appuyant une fois la vitesse augmente de 0.1 kph. et en maintenant le bouton enfoncé pendant deux secondes, la vitesse diminuera plus rapidement.

### SPEED -:

Ce bouton réduit la vitesse (0.5 to 22Kph). En appuyant une fois la vitesse baisse de 0.1 kph. En appuyant et en maintenant le bouton enfoncé pendant deux secondes, la vitesse diminuera plus rapidement.

### INCLINE +

Ce bouton augmente l'inclinaison (0% to 12% ±1%). Ce bouton permet également de faire défiler les programmes.

### INCLINE -:

Ce bouton augmente l'inclinaison (0% to 12% ± 1%). Ce bouton permet également de faire défiler les programmes.

### Molette:

#### Fonctions de la rotation de la molette:

- Dans le menu principal, elle permet de sélectionner un mode d'entraînement.

- Sélection des options du mode Utilisateur/ Paramètres.
- Sélection d'un élément de travail sur l'écran de paramètres.
- Augmente ou diminue la valeur du paramètre.
- Réglage de la valeur cible (plus ou moins) pendant l'entraînement.

### Horizontal

Tourner dans le sens des aiguilles d'une montre pour choisir l'option de droite et dans le sens inverse des aiguilles d'une montre pour celle de gauche.

### Vertical

Tourner dans le sens des aiguilles d'une montre pour monter et dans le sens inverse des aiguilles d'une montre pour descendre

### Fonctions du bouton de la molette:

- Confirmation du mode Sport.
- Confirmation de l'option en mode Utilisateur/ Paramètres.
- Configuration de l'élément de travail dans l'écran de configuration.
- Confirmation de la valeur du paramètre.
- Changement d'écran pendant l'entraînement entre bpm / Profile
- Changement d'écran pendant T-Road entre Vidéo / Profil.

## Écran de démarrage

Lors du démarrage de l'interface de l'utilisateur, un écran de chargement comme celui qui est représenté ci-dessous s'affiche. (FIG. E-04)

Après quelques secondes, cet écran laissera place à l'écran de lecture de données en cours. Comme celui-ci. (FIG. E-05)

Après avoir chargé l'application, l'interface de l'utilisateur affichera l'écran du menu principal (FIG. E-06)

La machine est alors prête à commencer la programmation de votre séance d'entraînement. Il vous suffit de sélectionner démarrage rapide (quick start) et de commencer.

## Écran d'entraînement général

(FIG. E-26)

L'abscisse représente la durée en minutes entre 0~30. Elle est mise à jour toutes les 15 minutes pendant l'entraînement.

- Pendant que vous faites de l'exercice, appuyez

sur le bouton de la molette pour que l'ordonnée s'affiche en l'inclinaison ou en bpm

- Le graphique représente la valeur de vitesse ou Incline
- La ligne pointillée blanche représente la position en cours, qui se déplace vers la droite à mesure que la durée de l'entraînement augmente. L'écran d'entraînement peut afficher au maximum les données de 5 heures.
- La courbe orange affiche le rythme cardiaque réel de l'utilisateur qui varie à mesure que la fréquence cardiaque augmente ou diminue.

## Programmes

### Démarrage rapide

(FIG. E-06)

- Tourner la molette et sélectionner "Démarrage rapide".
- Appuyer sur la molette pour confirmer la sélection et ouvrir directement l'écran d'entraînement.

### Fin de l'entraînement

L'écran de fin d'entraînement apparaît lorsque l'utilisateur appuie sur Back/Stop ou sur le menu principal, ou quand la ligne pointillée blanche atteint la valeur cible.

### Écran de fin d'entraînement (FIG. E-28)

#### Continuer: (continue)

Sélectionnez "Continuer" pour revenir à l'écran d'entraînement

#### Quitter: (exit)

Sélectionnez "quitter" pour quitter l'entraînement et retourner à l'écran de la dernière séance.

#### Sauver & quitter: (save & exit) (FIG. E-24)

Sélectionnez "Sauver & quitter" et saisissez un nom de fichier en bas de l'écran : utilisez la molette pour sélectionner une lettre A~Z ou un chiffre 0~9. Enregistrez les données de l'entraînement et donnez un nom au fichier pour un nouveau mode d'entraînement.



#### PRÉCAUTION

- Pour enregistrer les données d'entraînement, il est nécessaire d'avoir 10 minutes ou 3 km de données de profil d'entraînement.



#### PRÉCAUTION

- Il n'est pas possible de stocker les données d'entraînement en mode Fitness ou en mode T-Road.

Affiche les données de l'entraînement dans l'écran de la dernière séance

### Workout data screen (FIG. E-25)

Appuyez sur le bouton de la molette pour retourner au menu principal.

### Pouls Constant

(FIG. E-07)

- Tourner la molette et sélectionner "pouls constant".
- Appuyer sur la molette pour confirmer la sélection et ouvrir directement l'écran configuration(1).

### Écran Configuration (1) (FIG. E-15)

- Faites tourner la molette pour régler la valeur de rythme cardiaque. (le pourcentage varie avec la valeur de bpm)
- Appuyez sur la molette pour confirmer la sélection et entrez dans l'écran Paramètres (2).

### Écran Configuration (2) (FIG. E-16)

- Tournez la molette pour sélectionner un élément.
- Appuyez sur le bouton de la molette pour confirmer et continuer à définir les paramètres de droite.
- Tournez la molette pour changer les paramètres.
- Appuyez sur la molette pour confirmer la sélection et entrez dans l'écran d'entraînement.

### Écran d'entraînement (FIG. E-29)

- Le message « Pas de rythme cardiaque » s'affiche si le rythme cardiaque de l'utilisateur n'est pas détecté pendant l'entraînement.

Pour arrêter votre entraînement, reportez-vous à la section :

"Fin de l'entraînement"  
( 53 )

### Manuel

(FIG. E-08)

- Tourner la molette et sélectionner "manuel".
- Appuyer sur la molette pour confirmer la sélection et ouvrir directement l'écran configuration(1)..

### Écran Configuration(1) (FIG. E-13)



- Tournez la molette pour sélectionner un élément.

- Appuyez sur le bouton de la molette pour confirmer et continuer à définir les paramètres de droite.
- Tournez la molette pour changer les paramètres.
- Appuyez sur la molette pour confirmer la sélection et entrez dans l'écran d'entraînement.

### Écran d'entraînement (FIG. E-23)

- Pendant que vous faites de l'exercice, appuyez sur le bouton de la molette pour que l'ordonnée s'affiche en d'inclinaison ou en bpm.
- La ligne pointillée blanche représente la position en cours, qui se déplace vers la droite à mesure que les valeurs de temps/distance augmentent.
- La courbe orange affiche le rythme cardiaque réel de l'utilisateur qui varie à mesure que la fréquence cardiaque augmente ou diminue.

Pour arrêter votre entraînement, reportez-vous à la section :

 "Fin de l'entraînement"  
(  53 )

### Preset Programmes

(FIG. E-09)

- Tournez la molette et sélectionnez "Preset programmes".
- Appuyez sur la molette pour confirmer la sélection et ouvrez directement l'écran d'configuration(1).

### Écran Configuration(1) (FIG. E-47)

- Tournez la molette pour sélectionner.
- Appuyez sur la molette pour confirmer la sélection et entrez dans l'écran Configuration (2).



### Écran Configuration(2) (FIG. E-14)

- Tournez la molette pour sélectionner un élément.
- Appuyez sur le bouton de la molette pour confirmer et continuer à définir les paramètres de droite.
- Tournez la molette pour changer les paramètres.
- Appuyez sur la molette pour confirmer la sélection et entrez dans l'écran d'entraînement.

### Écran d'entraînement ( d'inclinaison ) (FIG. E-48)

### Entraînement (Contrôle du rythme cardiaque) (FIG. E-27)

Pour arrêter votre entraînement, reportez-vous à la section :

 "Fin de l'entraînement"  
(  53 )

### Profils Personnels

(FIG. E-10)

- Tournez la molette et sélectionnez "Profils personnels".
- Appuyez sur la molette pour confirmer la sélection et ouvrez directement l'écran d'configuration(1).



### PRÉCAUTION

- Si aucun entraînement enregistré n'est trouvé, la fenêtre ci-dessous s'affichera.

(FIG. E-44)

- Appuyez sur la molette pour retourner au menu principal.

### Écran Configuration(1) (FIG. E-40)

L'écran Configuration (1) affiche les éléments et les entraînements que l'utilisateur a enregistrés.

Ils s'affichent dans l'écran de droite et de gauche.

- Tournez la molette pour sélectionner un élément.
- Appuyez sur le bouton de la molette pour confirmer la sélection et ouvrir la fenêtre de sélection.

### Fenêtre de sélection (FIG. E-43)

- Tournez la molette et sélectionnez un élément

### "Relire " (Replay)

- Appuyez sur le bouton de la molette pour confirmer. Entrez dans l'écran d'entraînement et continuez l'entraînement précédent

### "Modifier" ("Edit")

Appuyez sur la molette pour confirmer.

Entrez dans l'écran et modifiez le paramètre.

Appuyez sur la molette pour confirmer et entrez dans l'écran d'entraînement.

### "Supprimer" (Delete)

Tournez la molette pour sélectionner un élément.

Appuyez sur le bouton de la molette pour confirmer la sélection et ouvrir la fenêtre de sélection.

Choisissez Oui pour effacer le fichier sélectionné ; choisissez Non pour ne pas effacer le fichier sélectionné.

Appuyez sur le bouton de la molette pour confirmer.

### Écran d'entraînement :

L'écran d'entraînement dépend du mode d'entraînement dans lequel vous vous trouvez.

### Mode Pouls Constant :

Ce mode est identique au mode Rythme cardiaque des programmes prédéfinis.

## Test De Fitness

(FIG. E-11)

- Tourner la molette et sélectionner "Test De Fitness".
- Appuyer sur la molette pour confirmer la sélection et ouvrir directement l'écran d'configuration(1)..



### NOTE

- Pour effectuer un test de forme, l'interface doit disposer des données de l'utilisateur. Si les données de l'utilisateur ne sont pas disponibles, le test de forme ne peut commencer.
- 

Le message ci-dessous s'affichera (FIG. E-35)

- Appuyez sur la molette pour retourner au menu principal

## Écran Configuration

"Fitness test is Cooper test user walks / runs as far as possible in 12 minutes".

- Appuyez sur le bouton de la molette pour confirmer la sélection et ouvrir l'écran d'entraînement.n.

## Workout screen (FIG. E-36)

The screen shows

### "Echec du test!" si:

- La durée de l'entraînement est trop courte.

### "Frequence cardiaque non detectee!" si:

- Le rythme cardiaque de l'utilisateur n'est pas détecté.

Appuyez sur Back/stop ou sur le bouton Menu principal pour quitter l'écran d'entraînement

### "Cible FC atteinte! Continuer de pédaler"

- L'utilisateur a atteint sa cible.
- Appuyez sur le bouton de la molette pour finir le test et afficher l'écran de données de l'entraînement.

## Écran de données de l'entraînement (FIG. E-25)

- Appuyez sur la molette pour entrer dans l'écran de résultats du test de Vo2 Max.

## Écran de résultats du test de VO2 Max (FIG. E-58)

- Appuyez sur la molette pour retourner au menu principal.

Pour arrêter votre entraînement, reportez-vous à la section :

"Fin de l'entraînement"  
( 53 )

## VO2 Max test result table (FIG. E-63)

### T-Road

(FIG. E-12)

- Tourner la molette et sélectionner "Test De Fitness".
- Appuyer sur la molette pour confirmer la sélection et ouvrir directement l'écran d'configuration(1).

## Écran Configuration (1) (FIG. E-54)

3 parcours peuvent être sélectionnés.

À savoir : Tuscany Sandy Road/ Tuscany Scenrey Road/ Tuscany Country Road.

- Tournez la molette et sélectionnez votre parcours d'entraînement.
- Appuyez sur la molette pour confirmer la sélection et entrez dans l'écran vidéo de l'entraînement. (FIG. E-53)

Appuyez sur la molette pendant l'entraînement pour passer de l'écran Vidéo à l'écran Profil. (FIG. E-52)

- L'abscisse est affichée en unité de distance (Km dans le système métrique et mile dans le système impérial).
- L'ordonnée est affichée en m dans le système métrique et en ft dans le système impérial.
- Appuyez sur la molette pendant l'entraînement pour passer de l'écran Vidéo à l'écran Profil.

### Dans l'écran Profil :



- La ligne pointillée blanche représente la position en cours, qui se déplace vers la droite à mesure que la durée de l'entraînement augmente.
- La courbe orange affiche le rythme cardiaque réel de l'utilisateur qui varie à mesure que la fréquence cardiaque augmente ou diminue

### Dans l'écran Vidéo :

- L'icône blanche + 0° en bas à gauche de l'écran représente le niveau d'inclinaison. Il varie lorsque le niveau d'inclinaison du Profil change.
- Appuyez sur Back/stop ou Main menu pour quitter l'écran d'entraînement. Cet écran se ferme également lorsque la ligne pointillée blanche aura atteint la valeur cible.

Pour arrêter votre entraînement, reportez-vous à la section :

“Fin de l’entraînement” :

 “Fin de l’entraînement”  
(  53 )

## Paramètres de l'utilisateur

Appuyez sur le bouton “Paramètres de l'utilisateur” pour entrer dans le menu principal Utilisateur/ Paramètres.

- Utilisez la molette pour sélectionner l'un des six éléments disponibles.
- Appuyez sur le bouton de la molette pour confirmer et entrer dans l'écran de configuration de l'élément sélectionné.

### Journal utilisateur

(FIG. E-17)

Sélectionnez “Journal utilisateur” pour visualiser les données d'entraînement de l'utilisateur sélectionné. Vous pouvez afficher soit les données de la dernière séance, soit un récapitulatif de l'ensemble des séances de l'utilisateur. (FIG. E-25)

Quittez les données d'entraînement en appuyant sur BACK/STOP.

### Modifier utilisateur

(FIG. E-18)

En sélectionnant “Modifier utilisateur” vous pouvez :

- Régler la luminosité (50% par défaut).
- Vérifier le kilométrage total de la machine.
- Vérifier la durée d'utilisation totale de la machine.
- Vérifier la version du firmware et du logiciel par défaut de la Console.
- Modifier la langue.
- Choisir d'activer le son des boutons (yes) ou de le désactiver (non)

### Fenêtre Paramètres de l'utilisateur (FIG. E-57)

#### How to modify settings Comment modifier les paramètres

- Turn jog wheel to select changeable item.
- Tournez la molette pour sélectionner un élément modifiable.

- Appuyez sur la molette pour ouvrir l'élément sélectionné dans la partie de droite de l'écran afin de le modifier.
- Tournez la molette pour changer la valeur du paramètre sélectionné.
- Appuyez sur la molette pour confirmer la modification.
- Faites tourner la molette pour sélectionner l'élément suivant ou utilisez le bouton Back/ Stop pour retourner au menu de paramètres.

### Modifier Utilisateur

En sélectionnant Modifier Utilisateur vous pouvez: Modifier (FIG. E-34))

#### Le nom d'utilisateur

- Tournez la molette pour sélectionner “Name”.
- Appuyez sur la molette pour ouvrir “Nom” edit.
- Tournez la molette pour sélectionner une lettre.
- Appuyez sur la molette pour confirmer.
- Tournez la molette pour sélectionner la lettre suivante.
- Lorsque vous avez terminé de modifier le nom, sélectionnez “√” pour confirmer le nom et retourner au menu Edit User.

#### Unités, Affichage

- Tournez la molette pour sélectionner “Unités”.
- Appuyez sur la molette pour ouvrir “Unités” edit.
- Tournez la molette pour sélectionner
- Metric :. affiche les unités en km/km/h/Kcal
- Imperial : affiche les unités en mile/mpH/kcal.
- Appuyez sur la molette pour confirmer et retourner au menu Modifier Utilisateur.

#### Afficher

- Tournez la molette pour sélectionner “Afficher”.
- Appuyez sur la molette pour ouvrir “afficher” edit.
- Tournez la molette pour sélectionner
- Chronologique :. le système comptera de zéro jusqu'à la durée/distance prédéfinie
- Compte à rebours: le système comptera depuis la durée/distance définie jusqu'à zéro.
- Appuyez sur la molette pour confirmer et retourner au menu Modifier utilisateur.

#### Sexe

- Tournez la molette pour sélectionner “Sexe”.
- Appuyez sur la molette pour ouvrir “Sexe” edit.
- Tournez la molette pour sélectionner Masculin/ Féminin.
- Appuyez sur la molette pour confirmer et retourner au menu Modifier utilisateur.

#### Âge

- Tournez la molette pour sélectionner “âge”.
- Appuyez sur la molette pour ouvrir “âge” edit.
- Tournez la molette pour changer l'âge.
- Appuyez sur la molette pour confirmer et retourner au menu Modifier utilisateur.



## Taille

- Tournez la molette pour sélectionner "Taille".
- Appuyez sur la molette pour ouvrir "Taille" edit.
- Faites tourner la molette pour modifier la taille (en cm lorsque vous avez choisi le système métrique et en ft/ inch lorsque vous avez choisi le système Impérial).
- Appuyez sur la molette pour confirmer et retourner au menu Modifier utilisateur.

## Poids

- Tournez la molette pour sélectionner "Poids".
- Appuyez sur la molette pour ouvrir "poids" edit.
- Faites tourner la molette pour modifier le poids (en kg lorsque vous avez choisi Métrique et en lbs lorsque vous avez choisi Impérial).
- Appuyez sur la molette pour confirmer et retourner au menu Modifier utilisateur.

## FC Max

- Tournez la molette pour sélectionner "FC Max".
- Appuyez sur la molette pour ouvrir "FC Max" edit.
- Faites tourner la molette pour changer le FC max par défaut, prédéfini comme :  
Pour les hommes: 220-âge  
pour les femmes : 226-âge
- Appuyez sur la molette pour confirmer et retourner au menu Modifier utilisateur.

## vitesse max

- Tournez la molette pour sélectionner "vitesse max".
- Appuyez sur la molette pour ouvrir "vitesse max" edit.
- Tournez la molette pour changer l'vitesse max.
- Appuyez sur la molette pour confirmer et retourner au menu Modifier utilisateur.



### NOTE

- La «vitesse max» programmée sera utilisée comme la vitesse maximale du tapis, aussi bien en manuel qu'en mode programmes

## Effacer utilisateur

(FIG. E-20)

En sélectionnant "Effacer Utilisateur" vous pouvez :

- Supprimer un utilisateur et toutes ses données.
- Faites tourner la molette et sélectionnez l'utilisateur que vous souhaitez supprimer.
- Appuyez sur la molette pour supprimer l'utilisateur sélectionné et retourner au menu de paramètres.

*L'utilisateur sera alors supprimé immédiatement*

## Changer Utilisateur

(FIG. E-21))

En sélectionnant "changer Utilisateur" vous pouvez :

- Sélectionner un autre profil d'utilisateur prédéfini.
- Faites tourner la molette et sélectionnez l'utilisateur que vous souhaitez activer.
- Appuyez sur la molette pour confirmer l'utilisateur sélectionné et retourner au menu de paramètres.

## Créer utilisateur

(FIG. E-22)

En sélectionnant "Créer utilisateur" vous pouvez créer un nouveau profil d'utilisateur. Un maximum de 8 utilisateurs peuvent être installés.

Consultez la section Edit User pour savoir comment créer un utilisateur. (FIG. E-31)

## Garantie

### Garantie du propriétaire d'un équipement de Tunturi

#### Conditions de garantie

Le consommateur dispose des droits légaux accordés par la législation nationale applicable au commerce des produits de consommation courante et cette garantie ne limite ces droits en aucun cas. La « Garantie du propriétaire » est valable uniquement si l'équipement est utilisé dans l'environnement correspondant à celui déterminé par Tunturi New Fitness BV. L'environnement d'utilisation de chaque appareil est mentionné dans le mode d'emploi fourni avec l'appareil en question.

#### Conditions de garantie

Les conditions de garantie sont applicables à compter de la date d'achat et peuvent varier selon les pays.

Demandez conseil à votre revendeur.

#### Étendue de la garantie

En aucun cas Tunturi New Fitness BV, le revendeur ou le distributeur Tunturi ne répondra des éventuels dommages spéciaux, indirects, secondaires ou consécutifs, de quelque nature que ce soit, liés à l'utilisation de ou à l'inaptitude à utiliser cet équipement.

#### Restrictions de garantie

La garantie couvre les défauts de fabrication et de matériaux dans un équipement d'origine, sorti d'usine et conditionné par Tunturi New Fitness BV. La garantie couvre uniquement les défauts apparaissant lors d'une utilisation normale et conforme aux instructions du manuel du propriétaire, à condition que les instructions de montage, de maintenance et d'utilisation établies

par Tunturi New Fitness BV aient été respectées. Tunturi New Fitness BV et les revendeurs Tunturi ne répondent pas des défauts occasionnés par des conditions indépendantes de leur volonté. La garantie est applicable uniquement au premier acheteur et est valable uniquement dans les pays où Tunturi New Fitness BV dispose d'un distributeur agréé. La garantie ne s'étend pas aux équipements de fitness ou aux pièces qui ont été modifiées sans l'autorisation de Tunturi New Fitness BV. La garantie ne s'applique pas aux défauts provenant d'une usure normale, d'une utilisation inadaptée, d'une utilisation dans des conditions non prévues par le fabricant, de la corrosion ou d'un dommage intervenu lors du chargement ou du transport.

La garantie ne couvre pas les sons ou les bruits émis par l'équipement s'ils ne gênent pas son utilisation et s'ils ne sont pas provoqués par un dysfonctionnement. La garantie ne couvre pas non plus les mesures de maintenance, telles que le nettoyage, la lubrification ou la vérification normale des pièces, ni les actions que le client peut effectuer lui-même et qui n'exigent pas particulièrement de monter/ démonter l'équipement. Ces actions sont par exemple le changement des compteurs, des pédales ou autres pièces similaires faciles à changer. Seules les réparations sous garantie effectuées par un revendeur ou par le distributeur agréé Tunturi seront prises en charge. Le non-respect des instructions décrites dans le Manuel de l'Utilisateur entraînera l'annulation de la garantie.

## Données techniques

Paramètre	Unité de mesure	Valeur
Tension secteur	Vac	230
Fréquence secteur	HZ	50 ~ 60
Moteur	CV	5.0
Vitesse	Km/h	0.5 - 22.0
Vitesse	Mph	0,3 - 13.7
Inclinaison	%	0 - 15
Longueur	Cm	213
Longueur	Inch	83.7
Largeur	Cm	89
Largeur	Inch	35.1
Hauteur	Cm	144
Hauteur	Inch	56.7
Poids	Kg	95.0
Poids	Lbs	209.2
Poids maxi. utilisateur	Kg	150
Poids maxi. utilisateur	Lbs	330

## Déclaration du fabricant

Tunturi Fitness BV déclare que le produit est conforme aux directives et normes suivantes : EN 957 (HB), 89/336/CEE. Ce produit porte donc la marque CE.

01-2017

Tunturi New Fitness BV  
Purmerweg 1  
1311 XE Almere  
Pays-Bas

## Limite de responsabilité

© 2017 Tunturi New Fitness BV  
Tous les droits réservés.

Le produit et le manuel sont sujets à modifications. Les spécifications peuvent changer sans préavis.

**Nederlands**

Deze Nederlandse handleiding is een vertaling van de Engelse tekst. Aan deze vertaling kunnen geen rechten ontleend worden. De originele Engelse tekst blijft leidend.

**Inhoud**

<b>Loopband .....</b>	<b>59</b>
<b>Veiligheidswaarschuwingen.....</b>	<b>59</b>
Elektrische veiligheid	60
Beschrijving (FIG. A)	61
Inhoud van de verpakking (FIG. B & C)	61
Assemblage (FIG. D)	61
Bouten en moeren aandraaien	61
<b>Trainingen .....</b>	<b>61</b>
Instructies	61
<b>Gebruik .....</b>	<b>63</b>
<b>Monitor (fig E-1) .....</b>	<b>63</b>
Draaiknop en toetsen	63
Startscherm	64
Algemeen Trainingsscherm	64
<b>Programma's.....</b>	<b>64</b>
Snel start	64
Stop de training	64
Doelhartslag	65
Manueel.	65
Preset Programma's	65
Eigen trainingen	66
Fitnesstest	66
T-Road ...	67
<b>Gebruiker/ instellingen.....</b>	<b>67</b>
Dagboek	67
Gebruikersinstellingen	67
Aanpassen	67
Verwijderen	68
Kies gebruiker	68
Aanmaken	69
<b>Garantie .....</b>	<b>69</b>
<b>Technische gegevens .....</b>	<b>69</b>
<b>Verklaring van de fabrikant.....</b>	<b>70</b>
<b>Disclaimer .....</b>	<b>70</b>

**Loopband**

Welkom in de wereld van Tunturi Fitness!  
Hartelijk dank voor uw aankoop van dit Tunturi-toestel. Tunturi biedt een grote verscheidenheid aan professionele toestellen zoals crosstrainers, loopbanden, fietstrainers, roeimachines en accessoires. Het Tunturi-toestel is geschikt voor de hele familie, onafhankelijk van de conditie. Meer informatie vindt u op de website [www.tunturi.com](http://www.tunturi.com)

**Belangrijke Informatie**

Deze gids is een essentieel onderdeel van uw Tunturi looptrainer. Lees deze gids zorgvuldig door vóórdat u begint met monteren, gebruiken of onderhouden van uw looptrainer. Bewaar de gids op een handige plaats. U kunt er, nu en in de toekomst, nuttige informatie uithalen die u nodig heeft voor het gebruik en het onderhoud van de apparatuur. Volg de instructies altijd met zorg op.

**Veiligheidswaarschuwingen****WAARSCHUWING**

- Lees de veiligheid-waarschuwingen en de instructies. Het niet opvolgen van de veiligheid-waarschuwingen en de instructies kan persoonlijk letsel of beschadiging van het toestel veroorzaken. Bewaar de veiligheid-waarschuwingen en instructies voor toekomstig gebruik.

**WAARSCHUWING**

- Hartslag-bewakingssystemen kunnen onnauwkeurig zijn. Overmatig trainen kan leiden tot ernstig letsel of de dood. Als u zich duizelig voelt, stop dan onmiddellijk met trainen.
- Het toestel is uitsluitend geschikt voor huishoudelijk en professioneel gebruik (bijv. ziekenhuizen, brandweerkazernes, hotels, scholen, etc.). Het maximum gebruik is beperkt tot 6 uur per dag. Het toestel is niet geschikt voor volledig commercieel gebruik (bijv. grote sportscholen).
- Het gebruik van dit toestel door kinderen of personen met fysieke, sensorische, geestelijke of motorische handicaps, of met gebrek aan ervaring en kennis kan gevaar veroorzaken. De personen die verantwoordelijk zijn voor hun veiligheid moeten uitdrukkelijke instructies geven of toezicht houden op het gebruik van het toestel.
- Laat uw gezondheid door een arts controleren voordat u met uw training begint.
- Als u misselijkheid, duizeligheid of andere abnormale symptomen ervaart, stop dan onmiddellijk met uw training en raadpleeg een arts.

- Om spierpijn en te zware belasting te voorkomen, moet u elke training beginnen met een warming-up en eindigen met een cooling-down. Vergeet niet om uw spieren te strekken aan het einde van de training.
- Het toestel is uitsluitend geschikt voor gebruik binnenshuis. Het toestel is niet geschikt voor gebruik buitenshuis.
- Gebruik het toestel alleen in een omgeving met voldoende ventilatie. Gebruik het toestel niet in een tochtige omgeving om geen kou te vatten.
- Gebruik het toestel alleen in een omgeving met een omgevingstemperatuur tussen 10 °C en 35 °C. Berg het toestel alleen op bij een omgevingstemperatuur tussen 5 °C en 45 °C.
- Gebruik het toestel niet in een vochtige omgeving. Berg het toestel niet op in een vochtige omgeving. De luchtvochtigheid mag nooit meer zijn dan 80%.
- Gebruik het toestel alleen voor het doel waarvoor het gemaakt is. Gebruik het toestel niet voor andere doelstellingen dan beschreven in de handleiding.
- Gebruik het toestel niet als een onderdeel is beschadigd of niet goed werkt. Raadpleeg uw dealer als een onderdeel is beschadigd of niet goed werkt.
- Houd uw handen, voeten en andere lichaamsdelen uit de buurt van de bewegende delen.
- Houd uw haar uit de buurt van de bewegende delen.
- Draag geschikte kleding en schoenen.
- Houd kleding, sieraden en andere voorwerpen uit de buurt van de bewegende delen.
- Zorg ervoor dat het toestel slechts door één persoon tegelijk wordt gebruikt. Het toestel mag niet worden gebruikt door personen die meer dan 150 kg (330 lbs) wegen.
- Maak het toestel niet open zonder eerst uw dealer te raadplegen.

## Elektrische veiligheid

(Uitsluitend voor toestellen met elektrisch vermogen)

- Controleer voor gebruik altijd of de netspanning gelijk is aan de spanning op het typeplaatje van het toestel.
- Gebruik geen verlengsnoer.
- Houd het snoer uit de buurt van warmte, olie en scherpe randen.
- Verander of wijzig het snoer of de stekker niet.
- Gebruik het toestel niet als het snoer of de stekker beschadigd is of niet goed werkt. Als het snoer of de stekker is beschadigd of niet goed werkt, raadpleeg dan uw dealer.
- Rol het snoer altijd helemaal uit.
- Laat het snoer niet onder het toestel door lopen. Laat het snoer niet onder een kleed door lopen. Plaats geen voorwerpen op het snoer.

- Zorg ervoor dat het snoer niet over de rand van een tafel hangt. Zorg ervoor dat niemand per ongeluk achter het snoer kan blijven haken of erover kan struikelen.
- Laat het toestel niet onbewaakt achter wanneer de stekker in het stopcontact zit.
- Trek niet aan het snoer als u de stekker uit het stopcontact wilt halen.
- Verwijder de stekker uit het stopcontact wanneer het toestel niet in gebruik is, vóór montage of demontage en vóór reiniging en onderhoud.



### WAARSCHUWING

- Als het voltage varieert met tien (10) procent, kan dit de prestaties van de loopband negatief beïnvloeden. Dergelijke omstandigheden vallen niet onder de garantie. Als u vermoedt dat het voltage te laag is, neemt u contact op met het lokale energiebedrijf of een bevoegd elektricien voor het uitvoeren van een test.



### WAARSCHUWING

- Gebruik NOOIT een overspanning-beveiliging met deze loopband. Net als bij elk apparaat met een grote motor zal de overspanning-beveiliging vaak worden geactiveerd. Houd het stroom snoer uit de buurt van bewegende onderdelen van de loopband, inclusief het helling-mechanisme en de transportwielletjes.

## Aardingsinstructies

Dit product moet worden geaard. Als het elektrische systeem van de loopband niet goed/niet meer werkt, vormt aarding een pad van minste weerstand voor elektrische stroom, waardoor het risico van een elektrische schok afneemt. Dit product is voorzien van een koord met een aardingsstekker. De stekker moet in een geschikt stopcontact worden geplaatst dat op juiste wijze is gemonteerd en geaard in overeenstemming met alle lokale normen en verordeningen.



### WAARSCHUWING

- Onjuiste aansluiting van de aardingsgeleider kan resulteren in risico van een elektrische schok. Neem contact op met een bevoegd elektricien of onderhoudsmonteur als u niet zeker weet of het product goed is geaard. Pas de stekker die met het product wordt geleverd niet aan wanneer het niet in het stopcontact past. Laat een geschikt stopcontact installeren door een bevoegd elektricien.

## Beschrijving (FIG. A)

Uw loopband is is een stationair fitnessstoestel dat wordt gebruikt voor het nabootsen van lopen of hardlopen zonder dat de gewrichten te veel belast worden.

## Inhoud van de verpakking (FIG. B & C)

- De verpakking bevat de onderdelen zoals aangegeven in fig. B.
- De verpakking bevat de bevestigingsmiddelen zoals aangegeven in fig. C. Raadpleeg het gedeelte "Beschrijving".



### LET OP

- Raadpleeg uw dealer als een onderdeel ontbreekt.

## Assemblage (FIG. D)



### WAARSCHUWING

- Monteer het apparaat in de aangegeven volgorde.
- Draag en verplaats het toestel met minstens twee personen.



### VOORZICHTIG

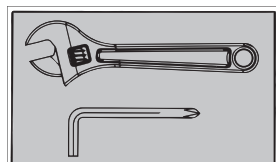
- Zet het toestel op een stevige, vlakke ondergrond.
  - Zorg voor een beschermende laag onder het toestel om schade aan het vloeroppervlak te voorkomen.
  - Houd rondom de apparatuur ten minste een bewegingsruimte van 100 cm.
- Raadpleeg de illustraties voor de juiste assemblage van het toestel.



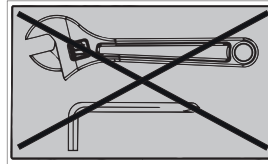
### Assamblage toelichting (FIG. D-3A)

Positioneer montagebeugels (3 & 4) helemaal naar de achterkant van de console, draai dan de schroeven aan.

## Bouten en moeren aandraaien



Draai de bouten en moeren pas aan nadat alle componenten zijn gemonteerd.



Draai de bouten en moeren in deze stap niet aan.



### LET OP

- Bewaar, nadat u het apparaat in elkaar hebt gezet, het gereedschap dat bij dit product is geleverd. Dit met het oog op service op een later tijdstip.

## Trainingen

De training moet licht genoeg zijn, maar wel langdurig. Aerobische training is gebaseerd op verbetering van de maximale zuurstofopname van het lichaam, die dan het uithoudingsvermogen en de conditie weer verbetert. U moet tijdens de training wel transpireren, maar u mag niet buiten adem raken.

Voor het bereiken en in stand houden van een basisconditie moet u minstens drie keer per week steeds 30 minuten trainen. Verhoog het aantal trainingssessies ter verbetering van uw conditie. Het is de moeite waard om regelmatige lichaamsbeweging met gezonde voeding te combineren. Iemand die zich goed aan een dieet houdt, zou elke dag moeten trainen te beginnen met 30 minuten of korter, en de dagelijkse trainingsduur geleidelijk opvoeren tot één uur. Begin uw training bij een lage snelheid en een lage weerstand om te voorkomen dat uw hart en bloedvaten te sterk belast worden. Naarmate uw conditie verbetert, kunnen snelheid en weerstand geleidelijk worden verhoogd. De doelmatigheid van uw training kan worden gemeten door uw hartslag.

## Instructies

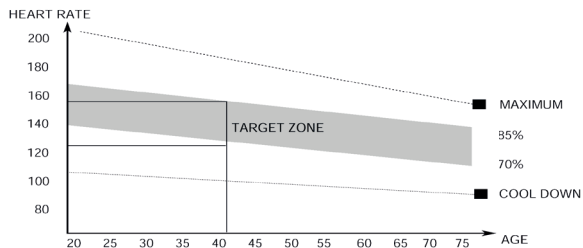
Het gebruik van dit fitness apparaat biedt meerdere voordelen: u verbetert uw fysieke conditie, u versterkt uw spieren en u valt in combinatie met een caloriearm dieet af.

### De warming-up

In deze fase wordt uw bloedsomloop gestimuleerd voor een juiste werking van de spieren. Tevens wordt het risico op kramp en spier-letsel verminderd. Wij raden u aan enkele stretch oefeningen te doen, zoals hieronder beschreven. Houd elke stretch oefening ongeveer 30 seconden vol. Forceer uw spieren niet bij het stretchen. STOP als het pijn doet

## De training fase

Dit is de fase waarin u de meeste inspanning levert. Na regelmatig gebruik worden de spieren in uw benen flexibeler. Het is in deze fase zeer belangrijk dat u een gelijkmatig tempo aanhoudt. De snelheid moet voldoende zijn om uw hartslag te laten stijgen naar de doel zone die in de onderstaande grafiek te zien is.



Deze fase moet minimaal 12 minuten duren, maar de meeste mensen beginnen met ongeveer 15-20 minuten.

## De cooling down

In deze fase ontspant u uw cardiovasculaire systeem en spieren. Dit is een herhaling van de warming-up training. Verlaag dus uw tempo en ga ongeveer 5 minuten door. Herhaal nu de stretch-oefeningen. Forceer uw spieren niet tijdens het stretchen. Naarmate u fitter wordt, moet u langer en harder trainen. Het is raadzaam minstens drie keer per week te trainen en zo nodig uw oefeningen gelijkmatig over de week te verspreiden.

## Spierversteviging

Als u uw spieren wilt verstevigen met behulp van dit fitnessapparaat, stelt u de weerstand in op hoog. Zo komt er meer spanning op uw beenspieren. Mogelijk kunt u niet zo lang trainen als u zou willen. Als u ook uw conditie wilt verbeteren, moet u het trainingsprogramma aanpassen. Tijdens de warming-up en cooling-down traint u zoals normaal, maar tegen het eind van de trainingsfase verhoogt u de weerstand zodat uw benen harder moeten werken. Verlaag hierbij de snelheid zodat uw hartslag in de doelzone blijft.

## Gewichtverlies

Hierbij is het van belang hoeveel inspanning u levert. Hoe harder en langer u werkt, hoe meer calorieën u verbrandt. In feite is dit hetzelfde als wanneer u zou trainen om uw conditie te verbeteren. Het doel is alleen anders.

## Hartslagmeting (handgreepsensoren)

De hartslag wordt gemeten door sensoren in de handgrepen wanneer de gebruiker beide sensoren tegelijkertijd aanraakt. Voor de meest nauwkeurige hartslagmeting moet de huid enigszins vochtig zijn en moet u de handgreepsensoren voortdurend aanraken. Bij een te droge of te vochtige huid kan de hartslagmeting minder nauwkeurig worden.



### LET OP

- Gebruik de handgreepsensoren niet in combinatie met een hartslagborstband.
- Als u een hartslag-limiet hebt ingesteld voor uw training, klinkt er een alarm wanneer deze wordt overschreden.

## Hartslagmeting (hartslagborstband)

De meest nauwkeurige hartslagmeting wordt bereikt met een hartslagborstband. De hartslag wordt gemeten met een hartslagontvanger in combinatie met een band die de hartslag verzendt. Voor een nauwkeurige hartslagmeting moeten de elektroden op de borstband enigszins vochtig zijn en de huid constant aanraken. Bij te droge of te natte elektroden kan de hartslagmeting minder nauwkeurig worden.



### WAARSCHUWING

*Als u een pacemaker hebt, moet u het eerst met uw dokter bespreken voordat u een hartslagborstband gebruikt.*



### VOORZICHTIG

- Als er verscheidene hartslagmeetapparaten naast elkaar staan, zorg er dan voor dat de tussenafstand minstens 2 meter is.
- Als er slechts één hartslagontvanger en verscheidene hartslagzenders zijn, zorg dan dat er slechts één persoon met een zender in het zendbereik is.



### LET OP

- Gebruik de hartslagborstband niet in combinatie met de handgreepsensoren.
- Draag de hartslagborstband altijd onder uw kleding, direct op uw huid. Draag de hartslagborstband niet boven uw kleding. Als u de hartslagborstband boven uw kleding draagt, zal er geen signaal komen.
- Als u een hartslaglimiet hebt ingesteld voor uw training, klinkt er een alarm wanneer deze wordt overschreden.
- De zender verzendt de hartslag naar de console tot over een afstand van 1,5 meter. Als de elektroden niet vochtig zijn, verschijnt de hartslag niet op de display.
- Sommige vezels in kleding (bijv. polyester, polyamide) produceren statische elektriciteit die een nauwkeurige hartslagmeting kan hinderen.
- Mobiele telefoons, televisies en andere elektrische apparaten creëren een elektromagnetisch veld dat een nauwkeurige hartslagmeting kan hinderen.

## Maximale hartslag (tijdens de training)

De maximale hartslag is de hoogste hartslag die iemand veilig kan bereiken door de belasting van de training. De volgende formule wordt gebruikt voor het berekenen van de gemiddelde maximale hartslag:  $220 - \text{LEEFTIJD}$ . De maximale hartslag varieert van persoon tot persoon.



### WAARSCHUWING

- Zorg ervoor dat u tijdens uw training niet boven uw maximale hartslag komt. Als u bij een risicogroep hoort, moet u een arts raadplegen.

## Beginner

### 50-60% van de maximale hartslag

Geschikt voor beginners, mensen die willen afvallen, herstellende patiënten en personen die lange tijd niet getraind hebben. Train minstens drie keer per week, 30 minuten per keer.

## Gevorderd

### 60-70% van de maximale hartslag

Geschikt voor personen die hun conditie willen verbeteren en in stand houden. Train minstens drie keer per week, 30 minuten per keer.

## Expert

### 70-80% van de maximale hartslag

Geschikt voor de fitste personen die gewend zijn aan langdurige duurtraining.

## Gebruik

### Hoofdschakelaar (FIG. E-2)

Het toestel is uitgerust met een hoofdschakelaar om het toestel volledig uit te schakelen.

### Starten van het toestel:

- Plaats de stekker in het toestel.
- Plaats de stekker in het stopcontact.
- Zet de hoofdschakelaar in de aan-stand (ON).

### Stoppen van het toestel:

- Zet de hoofdschakelaar in de uit-stand (OFF).
- Verwijder de stekker uit het stopcontact.
- Verwijder de stekker uit het toestel.

### Circuitonderbreker (FIG. E-2)

Het toestel is uitgerust met een circuitonderbreker die het circuit onderbreekt wanneer de elektrische belasting boven de maximale capaciteit komt. Wanneer dit gebeurt, moet de circuitonderbreker worden ingedrukt.



### WAARSCHUWING

- Verwijder voor het indrukken van de circuitonderbreker de stekker uit het toestel.

Als het toestel uitschakelt, gaat u als volgt te werk om het toestel opnieuw op te starten:

- Verwijder de stekker uit het toestel.
- Druk de circuitonderbreker in om het toestel opnieuw op te starten.
- Plaats de stekker in het toestel.

Sommige stroomonderbrekers die binnenshuis worden gebruikt, zijn niet berekend op hoge inschakelstroomstoten die kunnen optreden wanneer de loopband voor de eerste keer wordt ingeschakeld of zelfs tijdens normaal gebruik. Als de loopband de stroomonderbreker activeert (zelfs al heeft deze het juiste stroombereik en is de loopband het enige aangesloten apparaat) maar de stroomonderbreker op de loopband zelf niet wordt geactiveerd, moet u de onderbreker vervangen met een type dat is berekend op hoge inschakelstroomstoten. Dit is geen defect dat onder de garantie valt. Dit is een omstandigheid waarop wij als fabrikant geen invloed hebben.

## Monitor (fig E-1)



### VOORZICHTIG

- Houd de console uit de buurt van direct zonlicht.
- Droog het oppervlak van de console wanneer het met zweetdruppels is bedekt.
- Leun niet op de console.
- Raak de display alleen met uw vingertop aan. Raak de display niet aan met uw nagels of een scherp voorwerp.



### LET OP

- De console gaat naar standby wanneer het toestel gedurende 4 minuten niet wordt gebruikt.

## Draaiknop en toetsen

### Terug/ stop toets:

- Ga terug naar het vorige scherm.
- Stop de huidige training.

### Gebruiker/ Instellingen:

- Druk deze toets om naar het Gebruiker/ Instellingen scherm te gaan.
- Tijdens training heeft deze toets geen functie

**Speed +**

- Verhoogt de snelheid van 0,5 tot 22 km/u.
- Eenmaal drukken komt overeen met 0,1 km/u.
- Door de toets gedurende 2 seconden ingedrukt te houden stijgt de snelheid sneller.

**Speed -:**

- Verlaagt de snelheid van 0,5 tot 22 km/u.
- Eenmaal drukken komt overeen met 0,1 km/u.
- Door de toets gedurende 2 seconden ingedrukt te houden stijgt de snelheid sneller.

**Incline +**

- Verhoogt de hellingsgraad van 0 tot 12%. eenmaal drukken komt overeen met 1%.

**Incline -:**

- Verlaagt de hellingsgraad van 12 tot 0%.
- Eenmaal drukken komt overeen met 1%.

**Draaiknop:****Turn functions: Fig. E-03)**

- Kies het trainingsprogramma in het hoofdmenu.
- Gebruiker/Instellingen scherm optie selectie.
- Kies het werkende item op het instellingenscherf.
- Verhoog of verlaag de ingestelde waarde.
- Aanpassen van de streefwaardes (hoger/lager) tijdens de training.
- Kies het trainingsprogramma in het hoofdmenu.
- Gebruiker/Instellingen scherm optie selectie.
- Kies het werkende item op het instellingenscherf.
- Verhoog of verlaag de ingestelde waarde.
- Aanpassen van de streefwaardes (hoger/lager) tijdens de training.

**Horizontaal**

Draai met de klok mee om naar rechtst te gaan; tegen de klok in om naar links te gaan.

**Verticaal**

Draai met de klok mee om naar boven te gaan; tegen de klok in om naar beneden te gaan.

**Druk funties: (FIG. E-03)**

- Sport modus bevestiging.
- Optie bevestigen in Gebruiker/instellingen modus.
- Bevestigen van het werkende item op het scherm.
- Ingestelde waarde bevestigen.
- Scherm wisselen tussen slagen per minuut / hellinghoek tijdens training.
- Scherm wisselen tussen Video/ Profiel tijdens T-Road.

**Startscherf**

Wanneer de monitor opstart dan toont deze het laadscherf zoals hieronder weergegeven. (FIG. E-04)

Na een paar seconden verandert dit scherf naar een

data lezen scherf. Zoals hieronder weergegeven (FIG. E-05)

Na het laden van de applicatie van de montior wordt het hoofdmenu weergegeven. (FIG. E-06)

Trainer is nu klaar om uw training te beginnen of selecteer quicksnel

**Algemeen Trainingscherf**

(FIG. E-26)

De X-as toont, afhankelijk van de selectie, de Tijd/ Afstand in het Set scherf:

- Druk tijdens de training op de draaiknop om de Y-as te wisselen tussen hellinghoek / bpm..
- De staafdiagram toont de snelheid / hellinghoek instelling.
- huidige positie, welke naar rechts beweegt wanneer de calorieën/tijd/afstand stijgt.
- De oranje curve toont de hartslag van de gebruiker, welke varieert wanneer de hartslag op en neer gaat.

**Programma's****Snel start**

(FIG. E-06)

- Draai aan de draaiknop en selecteer "Snel Start".
- Druk de draaiknop in om te bevestigen en kom snel in het trainingscherf

**Stop de training**

Het training eindscherf komt naar voren wanneer u op de Terug/Stop of Menu toets drukt of wanneer de witte gestreepte lijn de streefwaarde bereikt.

**Training beeindigen scherf (FIG. E-28)****Doorgaan: (Continue)**

Kies "Doorgaan" om terug te keren naar het trainingscherf.

**Verlaat menu: (Exit)**

Kies "Verlaat menu" om af te sluiten en naar het scherf van de laatste sessie te gaan.

**Opslaan en terug: (Save&Exit) (FIG. E-24)**

Kies "Opslaan en terug" en voer een bestandsnaam in



onderin het scherm: gebruik de draaiknop om A~Z of 0~9 te selecteren, sla alle trainings data op en geef het bestand een naam voor een nieuwe trainings modus.



LET OP

- Om een training op te kunnen slaan is tenminste 10 minuten of 3 km training data nodig.



LET OP

- Het is niet mogelijk om een training in de T-Road modus op te slaan.

Geef de trainingsdata weer in het scherm van de laatste sessie.

### Workout data screen (FIG. E-25)

Druk de draaiknop om terug te keren naar het hoofdmenu.

## Doelhartslag

(FIG. E-07)

- Draai aan de draaiknop en selecteer "Doelhartslag".
- Druk op de draaiknop om de keuze te bevestigen en ga naar het instellingenschermb (1)

### Instellingen scherm (1) (FIG. E-15)

- Draai aan de draaiknop om de hartslag streefwaarde aan te passen. (Het percentage varieert met slagen per minuut).
- Druk de draaiknop om keuze te bevestigen en ga naar instellingenschermb (2).

### Instellingen scherm (2) (FIG. E-16)

- Draai de draaiknop om een item te selecteren.
- Druk op de draaiknop om te bevestigen en ga verder met het instellen van het bereik rechts.
- Draai de draaiknop om de bereik instellingen te wijzigen.
- Druk op de draaiknop om te bevestigen en ga naar het trainingsschermb.

### Trainingsschermb (FIG. E-29)

- Het bericht "Hartslag niet gedetecteerd!" wordt getoond wanneer de hartslag niet gedetecteerd wordt tijdens de training.

Om uw training te stoppen.

"Stop de training"  
( 64 )

## Manueel

(FIG. E-08)

- Draai aan de draaiknop en selecteer "Manueel".
- Druk op de draaiknop om de keuze te bevestigen en ga naar het instellingenschermb (1)

### Instellingen scherm (1) (FIG. E-13)

- Draai de draaiknop om een item te selecteren.
- Druk op de draaiknop om te bevestigen en ga verder met het instellen van het bereik rechts.
- Draai de draaiknop om de bereik instellingen te wijzigen.
- Druk op de draaiknop om te bevestigen en ga naar het trainingsschermb.

### Trainingsschermb (FIG. E-23)

- Wanneer u tijdens het trainen op de draaiknop drukt dan kunt u de Y-as switchen tussen hellinghoek / bpm.
- De witte gestreepte lijn toont de huidige positie, welke naar rechts beweegt wanneer de tijd/afstand stijgt.
- De oranje curve toont de hartslag van de gebruiker, welke varieert wanneer de hartslag op en neer gaat.

Om uw training te stoppen.

"Stop de training"  
( 64 )

## Preset Programma's

(FIG. E-09)

- Draai aan de draaiknop en selecteer "Preset Programma's".
- Druk op de draaiknop om de keuze te bevestigen en ga naar het instellingenschermb (1)

### Instellingen scherm (1) (FIG. E-47)

- Draai aan de draaiknop om gewenst programma te kiezen.
- Druk op de draaiknop om de keuze te bevestigen en ga naar het instellingenschermb (2)



### Instellingen scherm (2) (FIG. E-14)

- Draai de draaiknop om een item te selecteren.
- Druk op de draaiknop om te bevestigen en ga verder met het instellen van het bereik rechts.
- Draai de draaiknop om de bereik instellingen te wijzigen.
- Druk op de draaiknop om te bevestigen en ga naar het trainingsschermb.

### Workout screen ( Watt Control ) (FIG. E-48)

### Trainingsschermb (Hartslag gestuurd) (FIG. E-27)

Om uw training te stoppen.

 "Stop de training"  
(  64 )

## Eigen trainingen

(FIG. E-10)

- Draai aan de draaiknop en selecteer "Eigen Trainingen".
- Druk op de draaiknop om de keuze te bevestigen en ga naar het instellingenscherf (1).



### LET OP

Wanneer er geen opgeslagen trainingen gevonden worden wordt onderstaand scherm weergegeven. (FIG. E-44)

- Druk op de draaiknop om terug te gaan naar het hoofdmenu.

## Instellingen scherm (1) (FIG. E-40)

Instellingenscherf (1) is voor door gebruikers opgeslagen items en trainingen. Deze worden getoond op het rechter en linker scherm.

- Draai aan de draaiknop om een item te selecteren.
- Druk op de draaiknop om te bevestigen en om het selectiescherf te openen.

## Selectiescherf (FIG. E-43)

- Draai aan de draaiknop en selecteer

## Kies "Herhaal" (Replay)

- Druk de draaiknop om te bevestigen om naar het trainingsscherf te gaan en de vorige training te hervatten.

## Kies "Bewerk" (Edit)

- Druk op de draaiknop om te bevestigen.
- Gaan naar en pas de bereik instellingen aan.
- Druk op de draaiknop om te bevestigen en om naar het trainingsscherf te gaan.

## Kies "Verwijder" (Delete)

- Draai aan de draaiknop om een item te selecteren.
- Druk op de draaiknop om te bevestigen en om het selectiescherf te openen.
- Kies "Ja" om het geselecteerde item te verwijderen. Kies "Nee" om het geselecteerde item niet te verwijderen.
- Druk op de draaiknop om te bevestigen.

## Trainingsscherf:

- Het trainingsscherf is afhankelijk van welk trainingsprogramma gekozen wordt.

## Target HR Mode:

- Is hetzelfde als bij "Preset programma's Hartslag

gestuurde Modus".

## Fitnessstest

(FIG. E-11)

- Draai aan de draaiknop en selecteer "Fitnessstest".
- Druk op de draaiknop om de keuze te bevestigen en ga naar het instellingenscherf (1)



### LET OP

De monitor heeft gebruikersgegevens nodig om de Fitnessstest uit te kunnen voeren. Wanneer er geen gebruikersgegevens beschikbaar zijn kan de Fitnessstest niet starten.

Onderstaande melding wordt weergegeven. (FIG. E-35)

- Druk op de draaiknop om terug te gaan naar het hoofdmenu.

## Informatie scherm.

De volgende informatie zal worden getoond. "Fitness test is Cooper test user walks / runs as far as possible in 12 minutes".

- Druk op de draaiknop om te bevestigen en naar het trainingsscherf.

## Workout screen (FIG. E-36)

## Het scherm toont:

### Fitnessstest mislukt!" wanneer:

- De trainingsduur te kort is.

### "Hartslag niet gedetecteerd" wanneer:

- De hartslag van de gebruiker niet waargenomen wordt.

Druk Terug/Stop of Hoofdmenu toets om het trainingsscherf te verlaten.



## Trainingscherf (FIG. E-25)

- Druk op de draaiknop om naar het Vo2 Max test resultaten scherm te gaan.

## VO2 Max test result screen (FIG. E-58)

- Druk op draaiknop om naar begin scherm te gaan.

Om uw training te stoppen.

 "Stop de training"  
(  64 )

## VO2 Max test result table. (FIG. E-63)

## T-Road

(FIG. E-12)

- Draai aan de draaiknop en selecteer "T-road".
- Druk op de draaiknop om te bevestigen en naar het Instellingenschermb (1) te gaan..

### Instellingen scherm (10) (FIG. E-54)

Er zijn 3 selecteerbare routes beschikbaar. Namelijk: Tuscany Sand Road/ Tuscany Sceney Road/ Tuscany Country Road.

- Draai aan de draaiknop om de trainingsroute te selecteren.
- Druk op de draaiknop om te bevestigen en naar het trainingsschermb te gaan. (FIG. E-53)



Druk op de draaiknop tijdens training om te wisselen tussen het video- en profielschermb. (FIG. E-52)

- De X-as toont de afstand in Km in metrisch of mijl in Imperial.
- De Y-as toont m in Metrisch of ft in Imperial.
- Druk op de draaiknop tijdens de training om te wisselen tussen:  
Video / Profile scherm.
- In profiel scherm:
- De witte stippelijntje toont de huidige positie, welke naar rechts beweegt zolang de training voortduurt.
- De oranje curve toont de hartslag van de gebruiker, welke varieert wanneer de hartslag op en neer gaat.

### In video scherm:

- Het witte icoontje + 0° in de linker onder hoek toont de hellingsgraad, deze varieert aan de hand van de Profiel hellingsgraad.
- Druk Terug/Stop, Hoofdmenu of wanneer de witte stippelijntje de streefwaarde bereikt stopt de training.

Om uw training te stoppen.

 "Stop de training"  
(  64 )

## Gebruiker/ instellingen

Druk "gebruiker/instellingen" toets om het Gebruikersinstellingen

- Gebruik de draaiknop om één van de zes mogelijke items te selecteren.
- Druk op de draaiknop om te bevestigen en om het geselecteerde item scherm te openen.

## Dagboek

(FIG. E-17)

Door "Dagboek" te selecteren kunt u de trainingsdata van de gebruiker bekijken.  
Of u kunt de data van de laatste training bekijken of een totaal van alle trainingen. (FIG. E-25)

Verlaat de trainingsdata door op Terug/Stop te drukken.

## Gebruikersinstellingen

(FIG. E-18)

Door "Gebruikersinstellingen" te selecteren kunt u:

- Het contrast aanpassen (Standaard 50%).
- De totaal afgelegde afstand bekijken.
- De totaal getrainde tijd bekijken.
- De standaard firmware en software versie van de console bekijken.
- De taal instelling aanpassen.
- Geluidinstellingen: systeem geluid "Ja" aan of "Nee" voor uit.

## Gebruikers instellingenschermb (FIG. E-57)

### Instellingen wijzigen:

- Draai aan de draaiknop om het te wijzigen item te selecteren.
- Druk op de draaiknop om het geselecteerde item rechts in het scherm te open voor wijzigingen.
- Draai aan de draaiknop om de waarde te wijzigen van het geselecteerde item.
- Druk op de draaiknop om de wijziging te bevestigen.
- Draai aan de draaiknop om het volgende item te selecteren, of druk op Terug/stop knop om terug te keren naar het instellingenschermb.

## Aanpassen

Door "Aanpassen" te selecteren kunt u wijzigen: (FIG. E-34))

### Naam:

- Draai aan de draaiknop en selecteer "Naam".
- Druk op de draaiknop om "Naam" wijzgen te openen.
- Draai aan de draaiknop om een letter te selecteren.
- Druk op de draaiknop om te bevestigen.
- Draai aan de draaiknop om de volgende letter te selecteren.
- Wanneer de naam correct is gewijzigd selecteert u "✓" om te bevestigen en terug te keren naar het Edit user menu.

**Eenheden:**

- Draai de draaiknop om "Eenheden" te selecteren.
- Druk op de draaiknop om "Eenheden" wijzigen te openen.
- Draai de draaiknop om te selecteren:  
Metrisch: Toont units in km/kph/Kcal.  
Imperial: Toont units in mile/mpg/kcal.
- Druk op de draaiknop om te bevestigen en terug te keren naar het Edit user menu.

**Tonen:**

- Draai aan de draaiknop om "Tonen" te selecteren.
- Druk op de draaiknop om "Tonen" wijzigen te openen.
- Draai aan de draaiknop om te selecteren:  
Oplopend:  
ingestelde tijd/ afstand telt op.  
Aftellend: ingestelde tijd/ afstand telt af.
- Druk op de draaiknop om te bevestigen en terug te keren naar het Aanpassen menu.

**Geslacht:**

- Draai aan de draaiknop om "Geslacht" te selecteren.
- Druk op de draaiknop om "Geslacht" wijzigen te openen.
- Draai aan de draaiknop om "Man/Vrouw" te selecteren.
- Druk op de draaiknop om te bevestigen en terug te keren naar het Aanpassen menu.

**Leeftijd:**

- Draai aan de draaiknop om "Leeftijd" te selecteren.
- Druk op de draaiknop om "Leeftijd" wijzigen te openen.
- Draai aan de draaiknop om de leeftijd te wijzigen.
- Druk op de draaiknop om te bevestigen en terug te keren naar het Aanpassen menu.

**Lengte:**

- Draai aan de draaiknop om "Lengte" te selecteren.
- Druk op de draaiknop om "Lengte" wijzigen te openen.
- Draai aan de draaiknop om de lengte te wijzigen.  
Cm wanneer Metrisch is ingesteld  
ft/ inch wanneer Imperial is ingesteld.
- Druk op de draaiknop om te bevestigen en terug te keren naar het Aanpassen menu.

**Gewicht:**

- Draai aan de draaiknop om "Gewicht" te selecteren.
- Druk op de draaiknop om "Gewicht" wijzigen te openen.
- Draai aan de draaiknop om het gewicht te wijzigen.  
kg wanneer Metrisch is ingesteld  
lbs wanneer Imperial is ingesteld.
- Druk op de draaiknop om te bevestigen en terug te keren naar het Aanpassen menu.

**Maximale HR:**

- Draai aan de draaiknop om "Maximale-HR" te selecteren.
- Druk op de draaiknop om "Maximale HR" wijzigen te openen.
- Draai aan de draaiknop om de maximale hartslag te wijzigen.  
Wanneer man geselecteerd: (220-leeftijd)  
Wanneer vrouw geselecteerd: (226-leeftijd).
- Druk op de draaiknop om te bevestigen en terug te keren naar het Aanpassen menu

**max snelheid:**

- Draai aan de draaiknop om "max snelheid" te selecteren.
- Druk op de draaiknop om "max snelheid" wijzigen te openen.
- Draai aan de draaiknop om de max snelheid te wijzigen.
- Druk op de draaiknop om te bevestigen en terug te keren naar het Aanpassen menu

**LET OP**

De ingestelde "max snelheid", zal de nieuwe maximale looptrainer snelheid worden in zowel de manuele als in profile programma's.

**Verwijderen**

(FIG. E-20)

Door "Verwijderen" te selecteren kunt u:

- Een gebruiker inclusief alle gegevens verwijderen.
- Draai aan de draaiknop en selecteer de gebruiker welke u wilt verwijderen.
- Druk op de draaiknop om de geselecteerde gebruiker te verwijderen en terug te keren naar het instellingen menu.

*De gebruiker zal verwijderd worden zonder verdere mededelingen.*

**Kies gebruiker**

(FIG. E-21))

Door "Kies gebruiker" te selecteren kunt u:

- Een ander eerder opgesteld gebruikersprofiel kiezen.
- Draai aan de draaiknop en selecteer de gebruiker welke u wilt activeren.
- Druk op de draaiknop om te bevestigen en terug te keren naar het instellingen menu.

## Aanmaken

(FIG. E-22)

Door "Aanmaken" te selecteren kunt u een nieuwe gebruiker aanmaken.

Er kunnen maximaal 8 gebruikers geïnstalleerd worden. Zie "Aanpassen" voor instructies hoe de gebruiker aan te maken. (FIG. E-31)

## Garantie

### Garantie voor eigenaars van Tunturi trainingsapparatuur

#### Garantievoorwaarden

De consument ontleent wettelijke rechten aan de van toepassing zijnde nationale wetgeving aangaande de handel in consumentengoederen en de garantie zal deze rechten niet beperken.

De "Garantie voor de Eigenaar" geldt alleen dan wanneer het toestel wordt gebruikt in de door Tunturi New Fitness BV voor dat toestel toegestane gebruiksomgeving. Voor elk toestel wordt de toegestane gebruiksomgeving beschreven in de gebruiksaanwijzing van het toestel.

#### Garantievoorwaarden

De garantievoorwaarden gaan in vanaf de datum van aankoop. Deze kunnen per land verschillen. Vraag in de winkel bij u in de buurt naar de garantievoorwaarden.

#### Garantiedekking

In geen enkele omstandigheid zal Tunturi New Fitness BV of een wederverkoper van Tunturi aansprakelijk zijn voor eventuele indirecte schade geleden door de koper, zoals verlies van gebruiksnut of inkomstenderving of andere indirecte economische gevolgen.

#### Garantiebeperkingen

De garantie dekt defecten van het toestel die het gevolg zijn van materiaalfouten of onjuist uitgevoerd werk, mits het toestel zijn originele samenstelling heeft. De garantie betreft alleen defecten die blijken tijdens normaal gebruik overeenkomstig de meegeleverde gebruiksaanwijzing, mits de montage-, onderhouds- en gebruiksaanwijzingen van Tunturi zijn opgevolgd. Tunturi New Fitness BV en zijn wederverkopers zijn niet aansprakelijk voor defecten tengevolge van factoren waarop zij geen invloed kunnen uitoefenen. De garantie betreft alleen de eerste eigenaar van het toestel en is alleen geldig in landen waar een geautoriseerde importeur van Tunturi New Fitness BV is gevestigd. De garantie betreft geen trainingstoestellen of onderdelen die zijn gewijzigd zonder toestemming van Tunturi New

Fitness BV. De garantie dekt geen defecten tengevolge van normale slijtage, onjuist gebruik, gebruik in omstandigheden waarvoor het toestel niet is bedoeld, corrosie of schade ontstaan tijdens laden of transport. De garantie geldt niet voor geluiden die ontstaan door het gebruik, als ze het gebruik van het apparaat niet wezenlijk belemmeren en niet veroorzaakt zijn door een defect aan het apparaat.

De garantie omvat ook geen onderhoudsmaatregelen, zoals reiniging, smering of normale inspectie van onderdelen, noch dergelijke montagewerkzaamheden die de klant zelf kan uitvoeren en die geen speciale demontage en montage van het toestel vereisen. Dit soort maatregelen zijn bijv. vervanging van monitoren, pedalen of andere vergelijkbare eenvoudige onderdelen. Garantieherstel dat is uitgevoerd door een ander dan de geautoriseerde Tunturi-vertegenwoordiger wordt niet vergoed. De garantie geldt alleen voor normaal, voorgeschreven gebruik van het product zoals beschreven in de handleiding.

## Technische gegevens

Parameter	Eenheid	Waarde
Netspanning	Vac	230
Netfrequentie	HZ	50 ~ 60
Motor	PK	5.0
Snelheid	Km/h	0.5 - 22.0
Snelheid	Mph	0,3 - 13.7
Helling	%	0 - 15
Lengte)	Cm	213
Lengte	Inch	83.7
Breedte	Cm	89
Breedte	Inch	35.1
Hoogte	Cm	144
Hoogte	Inch	56.7
Gewicht	Kg	95.0
Gewicht	Lbs	209.2
Max. gewicht gebruiker	Kg	150
Max. gewicht gebruiker	Lbs	330

## **Verklaring van de fabrikant**

Tunturi New Fitness BV verklaart dat het product voldoet aan de volgende normen en richtlijnen: EN 957 (HA), 89/336/EEG. Het product is derhalve voorzien van het CE-label.

01-2017

Tunturi New Fitness BV  
Purmerweg 1  
1311 XE Almere  
The Netherlands

## **Disclaimer**

© 2017 Tunturi New Fitness BV  
Alle rechten voorbehouden.

Het product en de handleiding zijn aan veranderingen onderhevig. Specificaties kunnen zonder verdere kennisgeving worden veranderd.

## Español

Este manual español es una traducción del texto inglés. No se pueden derivar derechos de esta traducción. El texto original en inglés prevalecerá.

## Índice

<b>Cinta de correr</b> .....	<b>71</b>
<b>Advertencias de seguridad</b> .....	<b>71</b>
Seguridad eléctrica	72
Descripción (FIG. A)	72
Package contents (FIG. B & C)	73
Montaje (FIG. D)	73
<b>Apriete de tuercas y tornillos</b> .....	<b>73</b>
<b>Sesiones de ejercicio</b> .....	<b>73</b>
Ejercicio Instrucciones	73
Del ritmo cardíaco	74
<b>Uso</b> .....	<b>75</b>
<b>Consola (E-1)</b> .....	<b>75</b>
Ruleta y botones	76
Inicio de pantalla	76
Formación de pantalla estándar	76
<b>Programas</b> .....	<b>77</b>
Comenzar	77
Finalizar su ejercicio	77
Objetivo ritmo cardíaco	77
Manual...	77
Programas prefijados	78
Entrenamientos	78
Test Fitness	78
T-Road ...	79
<b>Parametros usuario</b> .....	<b>79</b>
Datos usuario	79
Editar usuario	79
Editar usuario	80
Borrar usuario	80
Cambiar usuario	81
Crear usuario	81
<b>Garantía</b> .....	<b>81</b>
<b>Datos técnicos</b> .....	<b>82</b>
<b>Declaración del fabricante</b> .....	<b>82</b>
<b>Descargo de responsabilidad</b> .....	<b>82</b>

## Cinta de correr

¡Bienvenido al mundo de Tunturi Fitness!  
Le agradecemos la compra de esta máquina Tunturi. Tunturi ofrece una amplia gama de máquinas de fitness profesionales como bicicletas elípticas, cintas de correr y bicicletas de ejercicio. La máquina Tunturi es adecuada para toda la familia, independientemente del nivel de forma física. Si desea información adicional, visite nuestro sitio web [www.tunturi.com](http://www.tunturi.com)

### Información y precauciones

Lea atentamente esta guía antes del montaje, uso o mantenimiento de su equipo de ejercicio. Mantenga esta guía en lugar seguro; le brindará hoy y en el futuro la información que necesite para usar y mantener su equipo. Siga siempre atentamente sus instrucciones.

## Advertencias de seguridad



### ADVERTENCIA

*Lea las advertencias de seguridad y las instrucciones. De no seguirse las advertencias de seguridad y las instrucciones pueden producirse lesiones personales o daños en la máquina. Conserve las advertencias de seguridad y las instrucciones para su consulta posterior.*



### ADVERTENCIA

*Los sistemas de motorización de frecuencia cardíaca pueden ser imprecisos. Un exceso de ejercicio puede provocar lesiones graves o incluso la muerte. Si se siente mareado, deje de hacer ejercicio inmediatamente.*

- La máquina es adecuada únicamente para uso doméstico y profesional (p. ej. hospitales, cuarteles de bomberos, hoteles, colegios, etc.). El uso máximo está limitado a 6 horas al día. La máquina no es adecuada para un uso comercial completo (p. ej. gimnasios de gran tamaño).
- El uso de esta máquina por niños o por personas con una discapacidad física, sensorial o motora, o falta de experiencia y conocimientos, puede dar lugar a situaciones de riesgo. Las personas responsables de su seguridad deben dar instrucciones explícitas o supervisar el uso de la máquina.
- Antes de empezar a hacer ejercicio, consulte con un médico para comprobar su estado de salud.
- Si experimenta náuseas, mareos u otros síntomas anormales, deje de hacer ejercicio inmediatamente y consulte con un médico.
- Para evitar dolor y tensión muscular, realice un calentamiento antes de empezar a hacer ejercicio y termine haciendo relajación. Recuerde hacer estiramientos al final de la sesión de ejercicio.

- La máquina es adecuada únicamente para uso en interior. La máquina no es adecuada para un uso en exterior.
- Utilice la máquina únicamente en lugares con una ventilación adecuada. No utilice la máquina en lugares donde haya corriente para no resfriarse.
- Utilice la máquina únicamente en lugares con una temperatura ambiente entre 10 °C y 35 °C. Almacene la máquina únicamente en lugares con una temperatura ambiente entre 5 °C y 45 °C.
- No utilice ni almacene la máquina en espacios húmedos. La humedad del aire no debe ser superior al 80%.
- Utilice la máquina sólo para su uso previsto. No la utilice para otros fines que no sean los descritos en el manual.
- La máquina no debe utilizarse si alguna de las piezas ha sufrido daños o tiene algún defecto. Contacte con su proveedor si alguna de las piezas ha sufrido daños o tiene algún defecto.
- Mantenga las manos, los pies y demás partes del cuerpo alejadas de las piezas móviles.
- Mantenga el pelo alejado de las piezas móviles.
- Lleve ropa y calzado adecuado.
- Mantenga la ropa, las joyas y otros objetos alejados de las piezas móviles.
- Asegúrese de que sólo una persona utilice la máquina cada vez. La máquina no debe ser utilizada por personas cuyo peso supere los 150 kg (330 lbs).
- No abra la máquina sin consultar con su proveedor.

## Seguridad eléctrica

(Aplicable sólo para máquinas con limitación eléctrica)

- Antes del uso, compruebe siempre que la tensión de red sea la misma que la tensión indicada en la placa de características de la máquina.
- No utilice un cable alargador.
- Mantenga el cable de red alejado del calor, de aceite y de bordes afilados.
- No altere ni modifique el cable de red o el enchufe de red.
- No utilice la máquina si el cable de red o el enchufe de red ha sufrido daños o tiene algún defecto. Si el cable de red o el enchufe de red ha sufrido daños o tiene algún defecto, contacte con su proveedor.
- Desenrolle siempre el cable de red en su totalidad.
- No pase el cable de red debajo de la máquina. No pase el cable de red debajo de una alfombra. No coloque ningún objeto sobre el cable de red.
- Asegúrese de que el cable de red no cuelgue sobre el borde de una mesa. Asegúrese de que el cable de red no quede atrapado y que no sea posible tropezarse con él.
- No deje la máquina desatendida cuando el enchufe de red esté insertado en la toma de pared.
- No tire del cable de red para sacar el enchufe de la toma de pared.

- Retire el enchufe de red de la toma de pared cuando la máquina no se esté utilizando, antes del montaje o el desmontaje o antes de la limpieza y el mantenimiento.



### ADVERTENCIA

- Si la tensión varía en un diez por cien (10%) o más, esto podrá afectar al rendimiento de la cinta. Esta situación no está cubierta por la garantía. Si sospecha que la tensión es baja, póngase en contacto con su compañía eléctrica o un electricista autorizado para que lo compruebe.



### ADVERTENCIA

- No use NUNCA una toma de corriente de pared RCD -dispositivo de corriente residual (ver. EE.UU. = GFCI)- con esta cinta de correr. Como ocurre con cualquier aparato con un motor grande, el RCD/GFCI se disparará a menudo. Sitúe el cable de alimentación lejos de cualquier pieza móvil de la cinta, incluido el mecanismo de elevación y las ruedas de transporte.

## Instrucciones de toma de tierra

Este producto deberá tener una toma de tierra. Si el sistema eléctrico de la cinta se averiara o fallara, la toma de tierra proporciona una ruta de menos resistencia para la corriente eléctrica, reduciendo el riesgo de descarga eléctrica. Este producto está equipado con un cable que tiene un enchufe de toma de tierra de equipo. El enchufe se deberá enchufar en una toma adecuada que esté instalada correctamente y esté conectada a tierra conforme a todos los códigos y disposiciones locales.



### ADVERTENCIA

- Una conexión inadecuada del conductor de toma de tierra del equipo podrá provocar un riesgo de descarga eléctrica. Compruebe con un electricista cualificado o persona de mantenimiento si tiene dudas sobre si el producto está conectado a tierra correctamente. No modifique el enchufe proporcionado con el producto si no encaja en la toma; encargue a un electricista cualificado que le instale una toma adecuada.

## Descripción (FIG. A)

La cinta de correr es una máquina estacionaria de fitness que se utiliza para simular la acción de caminar o correr sin generar una presión excesiva en las articulaciones.



## Package contents (FIG. B & C)

- El paquete contiene los elementos que se muestran en la fig. B.
- El paquete contiene los elementos de fijación que se muestran en la fig. C. consulte la sección "Descripción".



### NOTA

- Si falta una pieza, contacte con su proveedor.

## Montaje (FIG. D)



### ADVERTENCIA

- Monte la máquina en el orden indicado.
- Al menos dos personas deben transportar y mover la máquina.



### PRECAUCIÓN

- Coloque la máquina sobre una superficie firme y nivelada.
- Coloque la máquina sobre una base protectora para evitar daños en la superficie del suelo.
- Deje unos 100 cm de espacio alrededor de la máquina.

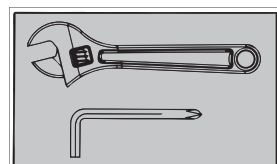
- Consulte las ilustraciones para el correcto montaje de la máquina.



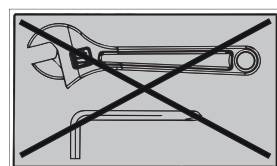
### Montaje nota (FIG. D-3A)

Coloque los soportes (3 y 4) dirección de la parte posterior de la consola, entonces usted puede apretar los tornillos.

## Apriete de tuercas y tornillos



Apriete firmemente todos los tornillos y las tuercas cuando se hayan ensamblado todos los componentes correspondientes al paso actual y los anteriores.



No apriete todos los tornillos y las tuercas en este paso.



### NOTA

- Guarde las herramientas suministradas con este producto una vez que haya completado el montaje del producto, para futuros fines de servicio.

## Sesiones de ejercicio

La sesión de ejercicio debe ser ligera, pero de larga duración. El ejercicio aeróbico se basa en mejorar el consumo de oxígeno máximo del cuerpo, lo que a su vez mejora la resistencia y la forma física. Debe transpirar, pero no debe quedarse sin aliento durante la sesión de ejercicio. Para lograr y mantener un nivel de forma física básico, debe realizar ejercicio al menos tres veces a la semana, 30 minutos cada vez. Aumente el número de sesiones de ejercicio para mejorar su nivel de forma física. Vale la pena combinar el ejercicio regular con una dieta sana. Una persona que se encuentre a dieta debe realizar ejercicio a diario, al principio 30 minutos o menos cada vez, aumentando gradualmente el tiempo de ejercicio diario hasta una hora. Empiece la sesión de ejercicio a velocidad baja y resistencia baja para evitar que el sistema cardiovascular se vea sometido a una tensión excesiva. A medida que mejore el nivel de forma física, pueden aumentarse gradualmente la velocidad y la resistencia. La eficiencia de su ejercicio puede medirse supervisando su frecuencia cardíaca y sus pulsaciones.

## Ejercicio Instrucciones

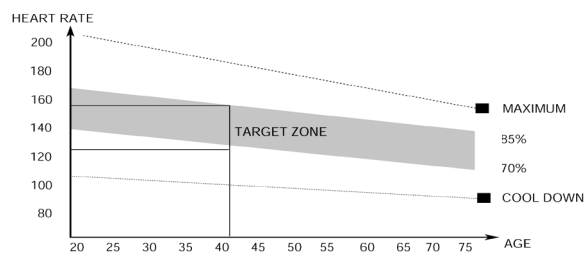
El uso de su entrenador le aportará muchas ventajas, mejorará su tono físico, tonificará los músculos y, combinado con una dieta con un consumo controlado de calorías, le ayudará a perder peso.

### Fase de calentamiento

Esta fase mejora la circulación y favorece el buen funcionamiento de los músculos. Asimismo, reduce el riesgo de calambres y de lesiones musculares. Es conveniente realizar una serie de ejercicios de estiramiento, como se muestra más abajo. Al estirar se debe mantener la posición durante unos 30 segundos; no fuerce los músculos ni realice movimientos bruscos para estirarlos, si duele, PARE inmediatamente.

### Fase de ejercicio

Esta es la fase de esfuerzo. Tras un uso regular, los músculos de las piernas irán ganando flexibilidad. Es importante mantener un ritmo estable durante toda esta fase. El ejercicio debe ser lo suficientemente fuerte como para incrementar el ritmo cardíaco hasta el objetivo que se muestra en el siguiente cuadro.



Esta fase debe tener una duración mínima de 12 minutos, aunque la mayoría de las personas empiezan a los 15-20 minutos.

### Fase de enfriamiento

La finalidad de esta fase es permitir que se relaje el sistema cardiovascular y los músculos. Es una repetición del ejercicio de calentamiento, por lo que debe ir reduciendo el ritmo de manera constante durante unos 5 minutos. En este momento debe repetir también los ejercicios de estiramiento, evitando de nuevo forzar los músculos o hacer movimientos bruscos.

A medida que vaya mejorando su forma física, es posible que el entrenamiento tenga que ser más largo e intenso. Es aconsejable entrenarse al menos tres veces a la semana, espaciando de manera uniforme, en la medida de lo posible, los entrenamientos durante la semana.

### Tonificación muscular

Si quiere tonificar los músculos mientras trabaja con el aparato, deberá ajustar la resistencia en un nivel bastante alto. Así aumentará la tensión sobre los músculos de las piernas, con lo que es posible que no pueda entrenarse durante todo el tiempo que le gustaría. Si quiere mejorar su condición física, tendrá que modificar también el programa de entrenamiento. El entrenamiento durante las fases de calentamiento y enfriamiento será igual, pero debe aumentar la resistencia hacia el final de la fase de ejercicio para incrementar el esfuerzo del tren inferior. Tendrá que reducir la velocidad para mantener el ritmo cardíaco en la zona objetivo.

### Pérdida de peso

El factor determinante en este sentido es el esfuerzo realizado. Cuanto más intenso y prolongado sea el ejercicio físico, más calorías quemará. En realidad, es lo mismo que si se entrenara para mejorar la condición física, lo que cambia es el objetivo.

## Del ritmo cardíaco

### Medición de las pulsaciones (sensor de pulsaciones de mano)

Las pulsaciones se miden con unos sensores en los manillares cuando el usuario toca ambos sensores al mismo tiempo. ligeramente húmeda y tocar constantemente los sensores de pulsaciones de mano. Si la piel está demasiado seca o demasiado húmeda, la medición de las pulsaciones puede resultar menos precisa.



#### NOTA

- No utilice los sensores de pulsaciones de mano en combinación con una correa en el pecho para la frecuencia cardíaca.
- Si define un límite de frecuencia cardíaca para su sesión de ejercicio, cada vez que éste se supere sonará una alarma.

### Medición de la frecuencia cardíaca (correa en el pecho para la frecuencia cardíaca)

La medición más precisa de la frecuencia cardíaca se logra con una correa en el pecho para la frecuencia cardíaca. La frecuencia cardíaca se mide con un receptor de frecuencia cardíaca en combinación con una correa transmisora de la frecuencia cardíaca. Para una medición precisa de la frecuencia cardíaca es necesario que los electrodos de la correa transmisora estén ligeramente húmedos y que toquen constantemente la piel. Si los electrodos están demasiado secos o demasiado húmedos, la medición de la frecuencia cardíaca puede resultar menos precisa.



#### ADVERTENCIA

- Si usted tiene un marcapasos, consulte con un médico antes de utilizar una correa en el pecho para la frecuencia cardíaca.



#### PRECAUCIÓN

- Si hay varios dispositivos de medición de frecuencia cardíaca en proximidad, asegúrese de que la distancia entre ellos sea de al menos 2 metros.
- Si sólo hay un receptor de frecuencia cardíaca y varios transmisores, asegúrese de que sólo una persona con un transmisor se encuentre en la zona de transmisión.



#### NOTA

- No utilice una correa en el pecho para la frecuencia cardíaca en combinación con sensores de pulsaciones de mano.
- Lleve siempre la correa en el pecho para la frecuencia cardíaca debajo de la ropa, en contacto directo con la piel. No lleve la correa en el pecho para la frecuencia cardíaca por encima de la ropa. Si lleva la correa en el pecho para la frecuencia cardíaca por encima de la ropa, no habrá señal.
- Si define un límite de frecuencia cardíaca para su sesión de ejercicio, cada vez que éste se supere sonará una alarma.
- El transmisor transmite la frecuencia cardíaca a la consola hasta una distancia de 1,5 metro. Si los electrodos no están húmedos, la frecuencia cardíaca no aparece en la pantalla.

- Algunas fibras de la ropa (p. ej. poliéster, poliamida) generan electricidad estática, la cual puede impedir la medición precisa de la frecuencia cardíaca.
- Los teléfonos móviles, las televisiones y otros aparatos eléctricos generan un campo electromagnético que puede impedir la medición precisa de la frecuencia cardíaca.

### Frecuencia cardíaca máxima (durante el entrenamiento)

alcanzar una persona de forma segura por la tensión del ejercicio. Se utiliza la siguiente fórmula para calcular la frecuencia cardíaca máxima media:  $220 - \text{EDAD}$ . La frecuencia cardíaca máxima varía según la persona.



#### ADVERTENCIA

- Asegúrese de no superar la frecuencia cardíaca máxima durante la sesión de ejercicio. Si usted se encuentra en un grupo de riesgo, consulte con un médico.

### Principiante

#### 50-60% de frecuencia cardíaca máxima

Adecuada para principiantes, personas que cuidan la línea, convalecientes y personas que no han hecho ejercicio en mucho tiempo. Haga ejercicio al menos tres veces a la semana, 30 minutos cada vez.

### Avanzado

#### 60-70% de frecuencia cardíaca máxima

Adecuada para personas que desean mejorar y mantener la forma física. Haga ejercicio al menos tres veces a la semana, 30 minutos cada vez.

### Experto

#### 70-80% de frecuencia cardíaca máxima

Adecuado para personas con muy buena forma física que están acostumbradas a sesiones de ejercicio de gran resistencia.

## Uso

### Interruptor de alimentación principal (FIG. E-2)

La máquina está equipada con un interruptor de alimentación principal para poder apagarla completamente.

#### Para poner en marcha la máquina:

- Inserte el enchufe de red en la máquina.
- Inserte el enchufe de red en la toma de pared.
- Sitúe el interruptor de alimentación principal en la posición de encendido (ON).

#### Para parar la máquina:

- Sitúe el interruptor de alimentación principal en la posición de apagado (OFF).
- Retire el enchufe de red de la toma de pared.
- Retire el enchufe de red de la máquina.

### Llave de seguridad (FIG. E-2))

La máquina está equipada con una llave de seguridad que debe insertarse correctamente en la consola para poner en marcha la máquina. Si retira la llave de seguridad de la consola, la máquina se para inmediatamente.

- Inserte la llave de seguridad en la ranura de la consola.
- Asegúrese de que la pinza de la llave de seguridad esté bien sujeta a su ropa. Asegúrese de no retirar la pinza de su ropa antes de retirar la llave de seguridad de la consola.

### Disyuntor

La máquina está equipada con un disyuntor que interrumpe el circuito cuando la carga eléctrica está por encima de la capacidad máxima. Cuando esto ocurra, debe pulsarse el disyuntor.



#### ADVERTENCIA

- Antes de pulsar el disyuntor, retire el enchufe de red de la máquina.

Si la máquina se apaga, haga lo siguiente para reiniciarla:

- Retire el enchufe de red de la máquina.
- Pulse el disyuntor para reiniciar la máquina.
- Inserte el enchufe de red en la máquina.



#### NOTA

Algunos disyuntores usados en las casas no son idóneos para elevadas corrientes de irrupción que pueden producirse cuando se enciende por primera vez una cinta de correr o incluso durante el uso normal. Si la cinta está disparando el disyuntor (incluso aunque sea de la clase de corriente correcta y la cinta sea el único aparato del circuito), pero el disyuntor de la cinta en sí no se dispara, tendrá que sustituir el disyuntor por uno de clase de irrupción elevada. No es un defecto cubierto por la garantía. Es una situación que nosotros, como fabricantes, no podemos controlar.

## Consola (E-1)



#### PRECAUCIÓN

- Mantenga la consola alejada de la luz solar directa.
- Seque la superficie de la consola cuando esté cubierta de gotas de sudor.
- No se apoye en la consola.

- Toque la pantalla únicamente con la punta del dedo. Asegúrese de no tocar la pantalla con las uñas ni objetos afilados.

**NOTA**

- La consola pasa al modo de espera activa cuando la máquina no se usa durante 4 minutos.

## Ruleta y botones

---

**Botón fin, atrás:**

- Volver hacia la pantalla previa.
- Parar el entrenamiento activado.

**Usuario/Ajustes:**

- Presionar este botón para introducir el Usuario/ Fijar el modo pantalla.
- Este botón esta fuera de servicio durante el ejercicio.

**Speed +**

- Incrementar la velocidad (0.5 to 22Kph).
- Presionar una vez para incrementos de 0.1 kph.
- Presionar y mantener durante dos segundos para incrementar la velocidad más rápido.

**Speed -:**

- Disminuir la velocidad (0.5 to 22Kph).
- Presionar una vez para disminuir 0.1 kph.
- Presionar y mantener durante dos segundos para disminuir más rápido.

**Incline +**

- Incrementa la inclinación (0% to 12% ±1%).
- Presionar y mantener durante dos segundos para incrementar la inclinación más rápido.

**Incline -:**

- Disminuir la inclinación(0% to 12% ± 1%).
- Presionar y mantener durante dos segundos para disminuir la inclinación más rápido.

**Ruleta: (FIG. E-03)****Activar funciones:**

- Elegir el modo de entrenamiento en el menú principal.
- Usuario/ajuste de selección de opción de modo.
- Elegir el ejercicio en la pantalla de ajuste.
- Incrementar o disminuir los valores de ajuste.
- Ajustar el valor de objetivo (alto/bajo) durante el ejercicio.

**Horizontal**

Girar en el sentido de las agujas del reloj para elegir opciones a la derecha; en sentido contrario para opciones de la izquierda.

**Vertical**

En el sentido de las agujas del reloj para desplazarse hacia arriba; en sentido contrario para desplazarse hacia abajo.

**Presionar funciones:**

- Confirmación modo Sport.
- Opción de confirmación en el modo usuario/ajuste.
- Confirmación del punto de trabajo en la pantalla de ajuste.
- Confirmación de los valores de ajuste.
- Cambiar el eje Y entre inclinación/ ppm.
- Cambio de pantalla entre Video - Perfil durante T-Road.

## Inicio de pantalla

---

Cuando el monitor se inicia se cargará la pantalla como se muestra abajo.(FIG. E-04)

Después de unos pocos segundos esta pantalla cambiará a la pantalla de lectura de datos en progreso. Como se muestra abajo. (FIG. E-05)

Después de cargar la aplicación el monitor mostrará la pantalla del menú principal. (FIG. E-06)

El entrenador comienza su tarea con el ejercicio programado o sólo seleccionar comienzo rápido y empezar.

## Formación de pantalla estándar

---

(FIG. E-26)

El eje X señala el tiempo en minutos entre 0~30. Se actualiza cada 15 minutos en la pantalla de entrenamiento.

- Durante el ejercicio presionar el botón de ruleta para cambiar el eje Y entre Nm - bmp.
- El gráfico de barras muestra el valor Nm. Girar la ruleta para ajustar el valor Nm.
- La línea de puntos blancos muestra la posición actual; la cual se mueve hacia la derecha según se incrementa el tiempo de ejercicio.
- La curva naranja muestra el ritmo cardíaco actual del usuario, el cual varía cuando la frecuencia cardíaca sube o baja.

## Programas

### Comenzar

(FIG. E-06)

- Girar la ruleta y seleccionar "comenzar". (comienzo rápido)
- Presionar la ruleta para confirmar y entrar en la pantalla de entrenamiento de forma rápida.

### Finalizar su ejercicio

La pantalla de finalización de ejercicio aparece cuando el botón Atrás/ parar o de menú principal es presionado o cuando la línea de puntos blancos alcanza el valor de objetivo.

### Pantalla de entrenamiento (FIG. E-28)

#### Continue:

Elegir "Continue" para volver a la pantalla de entrenamiento.

#### Exit:

Elegir "Exit" para salir de la última pantalla de sesión.

### Save&Exit: (FIG. E-24)

Elegir "Save&Exit" y entrar en el archivo del nombre en la parte inferior de la pantalla: usar la ruleta para seleccionar A~Z o 0~9, guardar todos los datos del ejercicio y nombrar el fichero para un nuevo modo de entrenamiento.



#### PRECAUCIÓN

- Para guardar datos de entrenamiento es necesario 10 minutos o 3 km de entrenamiento.



#### PRECAUCIÓN

- No es posible guardar datos de entrenamiento en el modo Test Fitness o T-Road.

Muestra los datos del ejercicio en la última pantalla.

### Pantalla de entrenamiento (FIG. E-25)

Presionar el botón de ruleta para volver al menú principal.

### Objetivo ritmo cardíaco

(FIG. E-07)

- Girar la ruleta y seleccionar "Objetivo RC".
- Presionar la ruleta para confirmar y entrar en la pantalla de ajustes (1))

### Pantalla de ajustes (1) (FIG. E-15)

- Girar la ruleta para ajustar los valores del ritmo cardíaco.  
(El porcentaje varía con los valores ppm).
- Presionar la ruleta para confirmar y entrar en la pantalla de ajustes (2).

### Pantalla de ajustes (2) (FIG. E-16)

- Girar la ruleta para seleccionar.
- Presionar el botón de ruleta para confirmación y continuar con el ajuste fijado en la derecha.
- Girar la ruleta para cambiar el rango de ajuste.
- Presionar el botón de ruleta para confirmar y entrar en la pantalla de entrenamiento.

### Pantalla de entrenamiento (FIG. E-29)

- Un mensaje de "No Ritmo Cardíaco" es mostrado si el ritmo cardíaco del usuario no es detectado durante el entrenamiento.

Para finalizar su entrenamiento ver:

"Finalizar su entrenamiento"

"Finalizar su ejercicio"  
( 81 )

### Manual

(FIG. E-08)

- Girar la ruleta y seleccionar "Manual"
- Presionar la ruleta para confirmar y entrar en la pantalla de ajustes.

### Pantalla de ajustes (1) (FIG. E-13)

- Girar la ruleta para seleccionar.
- Presionar el botón de ruleta para confirmar los valores de rango en la derecha.
- Girar la ruleta para cambiar los valores.
- Presionar el botón de ruleta para confirmar y entrar en la pantalla de entrenamiento.

### Pantalla de entrenamiento (FIG. E-23)

- Durante el ejercicio presionar el botón de ruleta para cambiar el eje Y entre inclinación/ ppm
- La línea de puntos blancos muestra la posición actual; la cual se mueve hacia la derecha cuando se incrementa caloría/ tiempo/ distancia.
- La curva naranja muestra el ritmo cardíaco actual del usuario, la cual varía si la frecuencia de ritmo cardíaco sube o baja.

Para finalizar su entrenamiento ver:

"Finalizar su entrenamiento"

"Finalizar su ejercicio"  
( 81 )

## Programas prefijados

(FIG. E-09)

- Girar la ruleta y seleccionar "Preset programs"
- Presionar la ruleta para confirmar y entrar en la pantalla de ajustes (1).

### Pantalla de ajustes (1) (FIG. E-47)

- Girar el botón para seleccionar program.
- Presionar el botón giratorio para confirmar y acceder a la pantalla de ajustes (2).



### Pantalla de ajustes (2) (FIG. E-14)

- Girar la ruleta para seleccionar.
- Presionar el botón ruleta para confirmación y continuar el rango ajustado a la derecha.
- Girar la ruleta para cambiar los rangos fijados.
- Presionar el botón de ruleta para confirmar y entrar en la pantalla de entrenamiento.

### Pantalla de entrenamiento (Inclinación) (FIG. E-48)

### Pantalla de entrenamiento (Heart Rate Control) (FIG. E-27)

Para finalizar su entrenamiento ver:  
"Finalizar su entrenamiento"

 "Finalizar su ejercicio"  
(  82 )

## Entrenamientos

(FIG. E-10)

- Girar la ruleta y seleccionar "Programas".
- Presionar la ruleta para confirmar y entrar en la pantalla de ajustes.



### NOTA

Cuando no se encuentren entrenamientos grabados aparecerá la pantalla de abajo. (FIG. E-44)

- Presionar la ruleta para volver a menú principal.

### Pantalla de ajustes (1) (FIG. E-40)

La pantalla de ajustes es para guardar la información del usuario y los entrenamientos grabados. Se muestran en la derecha e izquierda de la pantalla.

- Girar la ruleta para seleccionar.
- Presionar el botón de ruleta para confirmar y abrir la ventana seleccionada.

### Selección ventana (FIG. E-43)

- Girar la ruleta para seleccionar.

### Repetir "repeat"

- Girar la ruleta y seleccionar Elegir "Replay".
- Presionar el botón de ruleta para confirmar. Entrar en la pantalla de ejercicio y continuar con el entrenamiento previo.

### Editar "Edit"

- Presionar la ruleta para confirmar.
- Acceder y editar el rango de parámetro.
- Presionar el botón de ruleta para confirmar y acceder a la pantalla de entrenamiento.

### Borrar "Delete"

- Girar la ruleta y seleccionar.
- Presionar el botón de ruleta para confirmar y abrir la ventana seleccionada.
- Elegir Sí para borrar la información seleccionada, elegir No para no borrar la información seleccionada.

### Pantalla de entrenamiento:

La pantalla de entrenamiento depende del modo de entrenamiento en cual se esté.

### Modo Objetivo Ritmo Cardíaco:

Es el mismo que el programa prefijado Modo Ritmo Cardíaco.

## Test Fitness

(FIG. E-11)

- Girar la ruleta y seleccionar "Test Fitness"
- Presionar la ruleta para confirmar y acceder a la pantalla de Ajustes (1).



### NOTA

El monitor necesita los datos de usuario para proceder con el test de Fitness, si no hay datos de usuario disponibles el test de Fitness no puede comenzar. El mensaje de abajo saltará. (FIG. E-35)

- Presionar la ruleta para volver al menú principal.

### Pantalla de ajustes

La pantalla muestra:

"Fitness test is Cooper test user walks / runs as far as possible in 12 minutes".

- Presionar el botón de ruleta para confirmar y entrar en la pantalla de entrenamiento.

### Pantalla de entrenamiento (FIG. E-36)

#### La pantalla muestra

#### "Test Failed"! si:

- El tiempo de ejercicio es demasiado corto.

**"No Heart Rate detected" si:**

- El ritmo cardíaco del usuario no es detectado.

Presionar Back/stop o el botón del Menú principal para salir de la pantalla de ejercicio.

**Datos de entrenamiento en pantalla (FIG. E-25)**

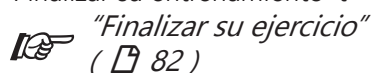
- Presionar el botón de ruleta para volver a la pantalla de los resultados del test VO2 Max.

**Resultados en pantalla del test VO2 Max (FIG. E-58)**

- Presionar el botón de ruleta para volver al menú principal.

Para finalizar su entrenamiento ver:

"Finalizar su entrenamiento"

**Tabla de resultado de test VO2 Max. (FIG. E-63)****T-Road**

(FIG. E-12)

- Girar el botón de ruleta y seleccionar "T-Road".
- Presionar la ruleta para confirmar y acceder a la pantalla de ajustes.

**Pantalla de ajustes (1) (FIG. E-54)**

Hay 3 pistas disponibles a seleccionar.

Sabiendo: Tuscany Sandy Road/ Tuscany Scenrey Road/ Tuscany Country Road.

- Girar la ruleta y seleccionar su pista de entrenamiento.
- Presionar la ruleta para confirmar y acceder a la pantalla de vídeo del entrenamiento. (FIG. E-53)

Presionar la ruleta durante el entrenamiento para cambiar entre pantalla video o pantalla perfil.

(FIG. E-52)

- El eje X muestra como unidad de distancia km en métrico y milla en Imperial.
- El eje Y muestra como unidad m en sistema métrico y pies en sistema Imperial.
- Presionar la ruleta durante el entrenamiento para cambiar entre las pantallas Video Perfil

**Pantalla en perfil:**

- La línea de puntos blancos muestra la posición actual, la cual se mueve hacia delante cuando se incrementa el tiempo de entrenamiento.

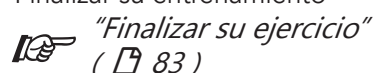
- La curva naranja muestra el ritmo cardíaco del usuario, el cual varía si la frecuencia de ritmo cardíaco sube y baja.

**Pantalla en video:**

- El icono blanco + 0° en la parte inferior izquierda de la pantalla muestra el nivel de inclinación y este varía con el cambio del nivel de perfil de inclinación.
- Al presionar Back/stop, Menú principal o la línea de puntos blancos alcanza el valor del objetivo puede salir de su pantalla de entrenamiento.

Para finalizar su entrenamiento ver:

"Finalizar su entrenamiento"

**Parametros usuario**

Presionar el botón "User/Settings" para acceder al menú principal de Usuario/Parámetros.

- Usar el botón giratorio para seleccionar una de las seis opciones disponibles.
- Presionar el botón giratorio para confirmación y acceder en pantalla a los parámetros seleccionados.

**Datos usuario**

(FIG. E-17)

Seleccionando "Datos usuario" usted puede ver los datos de entrenamiento del usuario seleccionado. Usted puede ver los datos de la última sesión de entrenamiento o una suma de todas las sesiones del usuario. (FIG. E-25)

Salir de los datos de entrenamiento presionando BACK/STOP

**Editar usuario**

(FIG. E-18)

Seleccionando Editar usuario" usted puede.

- Ajustar el brillo (Por defecto=50%).
- Revisar el kilometraje total de la máquina.
- Revisar el tiempo de uso de la máquina.
- Revisar el soporte por defecto y la versión de software del monitor.
- Cambiar el idioma.
- Seleccionar el botón de sonido encendido o apagado.)

## Ventana parámetros de usuario (FIG. E-57)

### Cómo modificar parámetros

- Girar la ruleta para seleccionar el parámetro a cambiar.
- Presionar ruleta para abrir la opción elegida en el lado derecho de la pantalla.
- Girar ruleta para cambiar el valor seleccionado.
- Presionar el botón para confirmar el cambio.
- Girar la ruleta para seleccionar el siguiente dato o usar Back/Stop para volver al menú principal.

### Editar usuario

---

Seleccionando "Editar usuario" usted puede editar: (FIG. E-34))

#### Nombre de usuario:

- Girar la ruleta y seleccionar "Name" (nombre).
- Presionar ruleta para abrir "Name"
- Girar la ruleta para seleccionar letra.
- Presionar ruleta para confirmar.
- Girar ruleta para seleccionar siguiente letra.
- Cuando el nombre esté correctamente editado seleccionar "✓" para confirmar nombre y volver al menú de editar usuario.

#### Unidades, Visualizar

- Girar la ruleta y seleccionar "Units"(unidades).
- Presionar el botón giratorio para abrir la edición "Units"
- Girar la ruleta para seleccionar
- Métrica: muestra unidades en km/kmh/Kcal.
- Imperial: muestra unidades en millas/mph/Kcal.
- Presionar ruleta para confirmar y volver al menú "editar usuario".

#### Visualizar

- Girar ruleta y seleccionar "Display".
- Presionar ruleta para abrir "Display"
- Girar ruleta para seleccionar
- Cuenta atrás: fijar tiempo/ distancia será contada hacia atrás.
- Presionar ruleta para confirmar y volver al menú "editar usuario"

#### Género

- Girar la ruleta y seleccionar "Gender".
- Presionar ruleta para editar "Gender".
- Girar botón ruleta para seleccionar Male (masculino)/Female (femenino).

#### Edad

- Girar ruleta y seleccionar "Age".
- Presionar ruleta para editar "Age".
- Girar ruleta para cambiar la edad.
- Presionar para confirmar e ir al menú "editar usuario".

#### Altura

- Girar ruleta y seleccionar "Height".
- Presionar ruleta para editar "Height".
- Girar ruleta para cambiar altura en cm cuando las unidades están en sistema métrico, en pies cuando las unidades están en Imperial.
- Presionar ruleta para confirmar y volver al menú "editar usuario".

#### Peso

- Girar ruleta y seleccionar "Weight".
- Presionar ruleta para editar "Weight".
- Girar ruleta para cambiar Peso en kg cuando las unidades están en sistema métrico, en libras cuando las unidades están en Imperial.
- Presionar ruleta para confirmar y volver al menú "editar usuario".

#### Ritmo cardíaco máximo

- Girar ruleta y seleccionar "Max HR".
- Presionar ruleta para editar "Max HR".
- Girar ruleta para cambiar el ritmo cardíaco máximo prefijado por defecto; cuando es seleccionado masculino: 220 menos la edad. Cuando es seleccionado femenino: 226 menos la edad.

#### Velocidad máxima

- Girar ruleta y seleccionar "velocidad máxima".
- Presionar ruleta para editar "velocidad máxima".
- Girar ruleta para cambiar la velocidad máxima.
- Presionar para confirmar e ir al menú "editar usuario".



#### NOTA

Al fijar "velocidad máxima" esta será utilizada como la velocidad máxima de la cinta de correr, tanto en modo manual como en el perfil de programas.

### Borrar usuario

---

(FIG. E-20)

Seleccionado "Borrar usuario" usted puede.

- Borrar un usuario y todos sus datos.
- Girar ruleta y seleccionar el usuario que quiere borrar.
- Presionar ruleta para eliminar el usuario seleccionado y volver al menú.

El usuario será eliminado sin más trámites.prompting



## Cambiar usuario

(FIG. E-21))

Seleccionando "Change User" usted puede:

- Seleccionar otro perfil de usuario prefijado.
- Girar ruleta y seleccionar el usuario que usted quiere activar.
- Presionar ruleta para confirmar el usuario seleccionado y volver atrás para acceder a menú.

## Crear usuario

(FIG. E-22)

Seleccionando "Crear usuario" usted puede crear un perfil de usuario nuevo.

Un máximo de 8 usuarios pueden ser instalados.

Ver editar usuario para saber como crear usuario

(FIG. E-31)

## Garantía

### Garantía del propietario del equipo Tunturi

#### Condiciones de la garantía

El consumidor tiene derecho a la aplicación de los derechos legales específicos de la legislación nacional concernientes al comercio de bienes de consumo y esta garantía no limita dichos derechos. La Garantía del Propietario sólo estará en vigor cuando el equipo se utilice en el entorno de uso permitido por Tunturi New Fitness BV para dicho equipo de ejercicio. En las instrucciones de uso de cada aparato se especifica el entorno de uso permitido para el mismo.

#### Términos de la garantía

Los términos de la garantía comenzarán el día de la compra. Los términos de garantía pueden variar por país, así que consulte con su distribuidor local para ver cuáles son los términos de la garantía.

#### Cobertura de la garantía

Tunturi New Fitness BV o los distribuidores Tunturi no responderán en ninguna circunstancia a causa de esta garantía por los eventuales daños indirectos, secundarios, resultantes o especiales de ningún tipo derivados del uso o la imposibilidad de uso de este equipo.

#### Restricciones a la garantía

La garantía cubre los fallos debidos a la fabricación y los materiales en un equipo de ejercicio que esté en su ensambladura original. La garantía cubre solamente defectos que se manifiesten durante un uso normal, conforme a las instrucciones dadas en la guía suministrada con el equipo, a condición de que se hayan observado las instrucciones de montaje,

mantenimiento y utilización proporcionadas por Tunturi. Tunturi New Fitness BV y los distribuidores Tunturi no pueden responder de fallos ocasionados por circunstancias ajenas a su control. La presente garantía sólo es válida para el comprador original del equipo de ejercicio y tiene vigencia solamente en los países en los que Tunturi New Fitness BV cuenta con un importador autorizado. La garantía no cubre los equipos de ejercicio o sus partes que hayan sido modificados sin el consentimiento previo de Tunturi New Fitness BV. La garantía no cubre fallos derivados del desgaste normal, de un uso indebido, de su uso en condiciones para las que el equipo no ha sido concebido, corrosión o daños sufridos durante la carga o el transporte.

La garantía no cubre los sonidos o ruidos emitidos durante el uso que no impidan de forma sustancial la utilización del equipo y que no estén provocados por un fallo del mismo

La garantía no cubre las actividades de mantenimiento tales como limpieza, lubricación o el ajuste normal de las piezas, ni los procedimientos de instalación que el cliente pueda realizar por sí mismo y que no requieran un desmontaje / montaje especial del equipo de ejercicio. Estos procedimientos son, por ejemplo, el cambio de contadores, pedales o de otras piezas simples similares. No se reembolsarán las reparaciones realizadas durante el periodo de garantía por agentes no autorizados por Tunturi. Si no se siguen adecuadamente las instrucciones dadas en el Manual del Propietario se invalidará la garantía del producto.

## Datos técnicos

Parámetro	Unidad de medición	Valor
Tensión de red	Vac	230
Frecuencia de red	HZ	50 ~ 60
Motor	CV	5.0
Velocidad	Km/h	0.5 - 22.0
Velocidad	Mph	0,3 - 13.7
Inclinación	%	0 - 15
Longitud	Cm	213
Longitud	Inch	83.7
Anchura	Cm	89
Anchura	Inch	35.1
Altura	Cm	144
Altura	Inch	56.7
Peso	Kg	95.0
Peso	Lbs	209.2
Peso máx. del usuario	Kg	150
Peso máx. del usuario	Lbs	330

## Declaración del fabricante

Tunturi New Fitness BV declara que el producto es conforme con las siguientes normas y directivas: EN 957 (HB), 89/336/CEE. Por tanto, el producto dispone de marcado CE.

01-2017

Tunturi New Fitness BV  
Purmerweg 1  
1311 XE Almere  
The Netherlands

## Descargo de responsabilidad

© 2017 Tunturi New Fitness BV  
Reservados todos los derechos.

El producto y el manual están sujetos a cambios. Las especificaciones pueden cambiarse sin previo aviso.

## På svenska

Denna handbok är en översättning av den engelska texten. Vi förbehåller oss rätten till eventuella översättningsfel. Den engelska originaltexten råder.

## Index

<b>Löpband .....</b>	<b>83</b>
<b>Säkerhetsvarningar .....</b>	<b>83</b>
Elsäkerhet	84
Beskrivning (FIG. A)	84
Förpackningens innehåll (FIG. B & C)	84
Montering (FIG. D)	85
Dra åt skruvar och muttrar	85
<b>Träning.....</b>	<b>85</b>
Övning Instruktioner	85
Hjärtfrekvens	86
Användning	86
<b>Panelen (fig F).....</b>	<b>87</b>
Vridknapp och knappar	87
Säkerhetsnyckel	88
Startskärmen	88
Allmän träning fönster	88
<b>Program.....</b>	<b>88</b>
Quick start	88
Avsluta träningen	88
Konstant puls	89
Manuell..	89
Preset Programs	89
Egna program	89
Konditionstest	90
T-Road ...	90
Editera användare	91
Användarlog	91
Editera användare	91
Editera användare	91
Stryk användare	92
Byt användare	92
Skapa användare	92
<b>Garanti .....</b>	<b>92</b>
<b>Teknisk information.....</b>	<b>93</b>
<b>Försäkran från tillverkaren .....</b>	<b>93</b>
<b>Friskrivning .....</b>	<b>93</b>

## Löpband

Välkommen till Tunturi Fitness värld!

Tack för att du köpte denna utrustning från Tunturi.

Tunturi erbjuder ett stort utbud av professionell träningsutrustning, exempelvis crosstrainers, löpband, träningscyklar och roddmaskiner. Utrustning från Tunturi passar hela familjen, oavsett träningsnivå. Mer information finns på vår webbplats, [www.tunturi.com](http://www.tunturi.com)

### Viktiga instruktioner om säkerhet

Läs noga igenom denna handbok innan du monterar,, använder eller reparerar ditt nya träningsredskap. Spara denna handbok; den innehåller information som du behöver nu och i framtiden för att använda och underhålla ditt redskap. Följ alltid dessa instruktioner noggrant.

## Säkerhetsvarningar



### VARNING

*Läs säkerhetsvarningarna och instruktionerna. Om inte säkerhetsvarningarna och instruktionerna följs kan det medföra skador på personer eller utrustningen. Behåll säkerhetsvarningarna och instruktionerna för framtida bruk.*



### VARNING

*System för övervakning av hjärtfrekvensen är inte alltid exakta. Överträning kan medföra allvarlig skada eller död. Sluta omedelbart att träna om du känner dig svag.*

- Utrustningen är lämplig för hemmet och för professionellt bruk (t.ex. sjukhus, brandstationer, hotell, skolor etc.). Maximal användning är begränsad till 6 timmar per dag. Utrustningen är inte anpassad för fullständig kommersiell användning (t.ex. stora gym).
- Om utrustningen används av barn eller personer med fysiska, sensoriska, mentala eller motoriska handikapp, eller som saknar erfarenhet och kunskap, kan detta medföra risker. Personer som är ansvariga för deras säkerhet måste ge tydliga instruktioner, eller övervaka användningen av utrustningen.
- Innan du påbörjar din träning, uppsök en läkare som kan kontrollera din hälsa.
- Om du upplever illamående, yrsel eller andra onormala symptom, avsluta genast din träning och kontakta en läkare.
- Börja varje träningspass med att värma upp och avsluta varje träningspass med nedvarvning för att undvika muskelsmärter och sträckningar. Kom ihåg att stretcha i slutet av träningen.
- Utrustningen är endast anpassad för användning inomhus. Utrustningen är inte anpassad för användning utomhus.

- Använd endast utrustningen i miljöer med god ventilation. Använd inte utrustningen i dragiga miljöer för att undvika att bli förkyld.
- Använd endast utrustningen i miljöer med temperatur mellan 10 °C och 35 °C. Förvara endast utrustningen i miljöer med temperatur mellan 5 °C och 45 °C.
- Använd inte och förvara inte utrustningen i fuktig miljö. Luftfuktigheten får aldrig överstiga 80%.
- Använd endast utrustningen för dess avsedda ändamål. Använd inte utrustningen för andra ändamål än de som beskrivs i handboken.
- Använd inte den här utrustningen om någon del är trasig eller skadad. Om någon del är trasig eller skadad, kontakta din återförsäljare.
- Håll undan händer, fötter och andra kroppsdelar från de rörliga delarna.
- Håll undan håret från de rörliga delarna.
- Bär passande kläder och skor.
- Håll undan kläder, smycken och andra föremål från de rörliga delarna.
- Låt bara en person åt gången använda utrustningen. Utrustningen får inte användas av personer som väger mer än 150 kg (330 lbs).
- Öppna inte utrustningen utan att kontakta din återförsäljare.

## Elsäkerhet

(endast elektrisk utrustning)

- Före användning, kontrollera alltid att nätspänningen är densamma som spänningen på utrustningens märkplåt.
- Använd inte en förlängningssladd.
- Håll strömkabeln borta från värme, olja och vassa kanter.
- Ändra inte strömkabeln eller kontakten.
- Använd inte utrustningen om strömkabeln eller kontakten är trasig eller skadad. Om strömkabeln eller kontakten är trasig eller skadad, kontakta din återförsäljare.
- Rulla alltid ut strömkabeln helt.
- Dra inte strömkabeln under utrustningen. Dra inte strömkabeln under en matta. Placera inte några föremål på strömkabeln.
- Kontrollera att strömkabeln inte hänger över en bordskant. Kontrollera att strömkabeln inte kan komma åt avsiktligt eller snubblas över.
- Lämna inte utrustningen obebakad med kontakten instoppad i vägguttaget.
- Dra inte i strömkabeln för att avlägsna kontakten från vägguttaget.
- Avlägsna stickkontakten från vägguttaget när utrustningen inte används, innan den monteras eller monteras isär och innan den rengörs eller underhålls.



### VARNING

- Om strömspänningen fluktuerar med 10 procent (10%) eller mer, kan detta ha en negativ inverkan på löparbandets funktion. Om löparbandet används under sådana förhållanden upphör garantin att gälla. Om du misstänker att spänningen är för lång, kontakta din elleverantör eller en behörig elektriker för att utföra en kontroll.



### VARNING

- Använd INTE en uttag med jordfelsbrytare för detta löparband. Som med alla apparater med en kraftig motor slår en jordfelsbrytare att slå till ofta. Lägga sladden för strömanslutningen så att den inte kankomma i kontakt med löparbandets rörliga delar inklusive liftmekanismen och transporthjulen.

## Jordningsföreskrifter

Den här produkten ska kopplas till ett jordat uttag. Om ett fel skulle uppstå i löparbandets elsystem skyddar jordningen mot elektrisk chock. Den här produkten levereras med en jordad sladd och stickpropp. Stickproppen ska anslutas till ett enligt korrekt jordat uttag som installerats enligt gällande regler och föreskrifter.



### VARNING

- Fel i apparatens jordanslutningen innebär en ökad risk för elektrisk chock. Om du är osäker på anslutningen bör du kontakta en elektriker eller servicemontör för att kontrollera att apparaten är ordentligt jordad. Försök inte sätta i en stickpropp som inte passar i uttaget, anlita en elektriker för installation av passande vägguttag.

## Beskrivning (FIG. A)

Ditt löpband är en stationär träningsmaskin som används för att simulera promenad eller löpning utan att orsaka kraftigt tryck på lederna.

## Förpackningens innehåll (FIG. B & C)

- Förpackningen innehåller delarna som visas i fig. B.
- Förpackningen innehåller de fästdon som visas i fig. C. Se avsnittet "Beskrivning".



### ANMÄRKNING

- Om någon del saknas, kontakta din återförsäljare.

## Montering (FIG. D)



### VARNING

- Montera utrustningen i angiven ordning.
- Var två om att bära och förflytta utrustningen.



### OBS.

- Placera utrustningen på en stabil och jämn yta.
- Placera utrustningen på en skyddande grund för att förhindra att golvet skadas.
- Lämna åtminstone 100 cm fritt runt utrustningen.

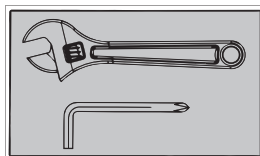
- Illustrationerna visar det korrekta sättet att montera utrustningen.



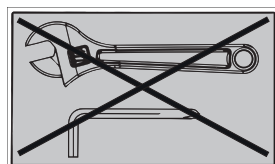
### Montering anmärkning (FIG. D-3A)

Placera stöden (3 & 4) på baksidan av konsolen, sedan du kan dra åt skruvarna.

## Dra åt skruvar och muttrar



Spänn fast alla skruvar och muttrar ordentligt efter att alla komponenter har monterats i det aktuella och föregående stegen.



Dra inte åt alla skruvar och muttrar i detta steg.



### ANMÄRKNING

- Spara verktygen som följer med denna produkt när monteringen är klar så att du kan använda dem för framtida servicearbeten.

## Träning

Träningen måste vara lagom lätt, men hålla på länge. Aerobisk träning är till för att förbättra kroppens maximala syreupptag, vilket förbättrar uthålligheten och konditionen. Du ska svettas, men du ska inte bli andfådd under träningen. För att uppnå och behålla en grundkondition, träna åtminstone tre gånger i veckan, 30 minuter åt gången. Öka antalet träningspass för att förbättra din kondition. Det är bra att kombinera regelbunden träning med hälsosam kost. En person som har bestämt sig för att banta bör träna dagligen,

30 minuter eller mindre till en början och sedan öka den dagliga träningstiden till en timme. Börja din träning i låg hastighet och med lågt motstånd för att förhindra att hjärtkärlsystemet utsätts för kraftigt belastning. När konditionen förbättras, kan hastigheten och motståndet ökas gradvis. Din tränings effektivitet kan mätas genom att kontrollera din hjärtfrekvens och din puls.

## Övning Instruktioner

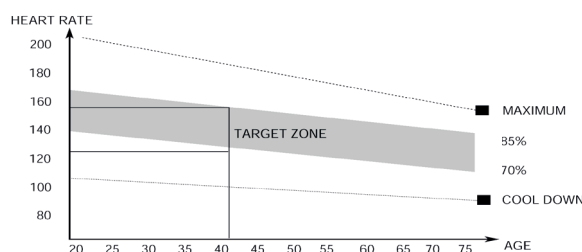
Användningen av ditt träningsredskap kommer att ge dig många fördelar; det kommer att förbättra din fysiska kondition, tona musklerna och tillsammans med en kalorikontrollerad diet hjälpa dig att gå ned i vikt.

### Uppvärmningsfasen

Denna fas får blodet att börja pumpa runt i kroppen och förbereder musklerna på aktivitet. Den minskar även risken för kramp och muskelskada. Det är tillrådligt att göra några stretchövningar som visas nedan. Varje stretchövning ska hållas i ungefär 30 sekunder. Tvinga eller tryck inte in musklerna i en stretchövning. Om det gör ont, SLUTA

### Träningsfasen

Detta är fasen där du jobbar. Efter regelbunden användning, kommer musklerna i dina ben att bli mer flexibla. I denna fas är det mycket viktigt att bibehålla ett jämnt tempo från början till slut. Ansträngningsnivån ska vara tillräcklig för att höja din puls till målzonen som visas i nedanstående figur



Denna fas bör pågå i minst 12 minuter, även om de flesta börjar med ungefär 15-20 minuter.

### Nedvarvningsfasen

Under denna fas får ditt kardiovaskulära system och dina muskler varva ned.

Den är en upprepning av uppvärmningsövningen, t.ex. minska ditt tempo, fortsatt i ca 5 minuter. Stretchövningarna ska nu upprepas. Kom ihåg att inte tvinga eller trycka in musklerna i stretchövningen. När du blir mer vältränad, kan du träna längre och hårdare. Vi rekommenderar att träna minst tre gånger i veckan, och, om möjligt, fördela dina träningsstillfällen jämnt under hela veckan.

### Muskeltoning

För att tona musklerna när du använder träningsredskapet, måste du ställa in en ganska hög belastning.

Detta belastar benmusklerna mer och kan innebära att du inte kan träna så länge som du vill. Om du även försöker förbättra din kondition, måste du ändra ditt träningsprogram. Du bör träna som vanligt under uppvärmnings- och nedvarvningsfaserna, men mot slutet av träningsfasen kan du öka belastningen så att dina ben får jobba hårdare. Du måste minska hastigheten för att hålla pulsen i målzonen.

### Viktminskning

Den viktigaste faktorn här är hur mycket du anstränger dig. Ju hårdare och längre du tränar, desto fler kalorier bränner du. Detta är i princip detsamma som om du tränade för att förbättra din kondition, skillnaden är målet.

## Hjärtfrekvens

### Pulsmätning (handpulssensorer)

Pulsen mäts av sensorer i handtagen när användaren vidrör båda sensorerna samtidigt. Bäst pulsmätning fås när skinnet är en aning fuktigt och i ständig kontakt med handpulssensorerna. Om skinnet är för torrt eller för fuktigt kan pulsmätningen bli mindre exakt.



#### ANMÄRKNING

- Använd inte handpulssensorer tillsammans med ett pulsbalte.
- Om du har ställt in en begränsning av hjärtfrekvensen för din träning, kommer ett larm att ljuda när den överskrids.

### Hjärtfrekvensmätning (pulsbalte)

Den mest exakta mätningen av hjärtfrekvensen uppnås med ett pulsbalte. Hjärtfrekvensen mäts av en hjärtfrekvensmottagare i kombination med ett pulsbalte med sändare.

Korrekt pulsmätning kräver att elektroderna på sändarbältet är en aning fuktiga och i ständig kontakt med skinnet. Om elektroderna är för torra eller för fuktiga kan pulsmätningen bli mindre exakt.



#### VARNING

- Kontakta en läkare innan du använder ett pulsbalte om du har pacemaker.



#### OBS.

- Om det finns flera enheter för hjärtfrekvensmätning bredvid arandra, kontrollera att avståndet mellan dem är minst 2 meter.
- Om det bara finns en hjärtfrekvensmottagare och flera hjärtfrekvenssändare, kontrollera att bara en person med sändare är inom mottagningsområdet.



#### ANMÄRKNING

- Använd inte ett pulsbalte tillsammans med handpulssensorer.
- Bär alltid pulsbeltet under dina kläder, i direktkontakt med huden. Bär inte pulsbeltet utanpå kläderna. Om du bär pulsbeltet utanpå kläderna kommer det inte att bli någon signal.
- Om du har ställt in en begränsning av hjärtfrekvensen för din träning, kommer ett larm att ljuda när den överskrids.
- Sändaren sänder hjärtfrekvensen till panelen upp till ett avstånd på 1,5 meter. Om elektroderna inte är fuktiga, kommer inte hjärtfrekvensen att visas på displayen.
- Vissa klädfibrer (t.ex. polyester eller polyamid) skapar statisk elektricitet som kan förhindra en korrekt mätning av hjärtfrekvensen.
- Mobiltelefoner, tv-apparater och andra elektriska apparater skapar ett elektromagnetiskt fält som kan förhindra en korrekt mätning av hjärtfrekvensen.

### Maximal hjärtfrekvens (under träning)

Den maximala hjärtfrekvensen är den högsta hjärtfrekvens en person säkert kan få vid träning. Följande formel används för att beräkna den genomsnittliga maximala hjärtfrekvensen:  $220 - \text{ÅLDER}$ . Den maximala hjärtfrekvensen varierar från person till person.



#### VARNING

- Kontrollera att du inte överskrider din maximala hjärtfrekvens under din träning. Kontakta en läkare om du tillhör en riskgrupp.

### Nybörjarnivå 50-60% av den maximala hjärtfrekvensen

Passar nybörjare, viktväktare, konvalescenter och personer som inte har tränat på länge. Träna åtminstone tre gånger i veckan, 30 minuter åt gången.

### Avanceradnivå 60-70% av den maximala hjärtfrekvensen

Passar personer som vill förbättra och underhålla konditionen. Träna åtminstone tre gånger i veckan, 30 minuter åt gången.

### Expert 70-80% av den maximala hjärtfrekvensen

Passar de mest vältränade, som är vana vid långa och tunga träningspass.

## Användning

### Huvudströmbrytare (FIG. E-2)

Utrustningen är utrustad med en huvudströmbrytare för att helt stänga av utrustningen.

**Starta utrustningen:**

- Anslut stickkontakten till utrustningen.
- Anslut stickkontakten till vägguttaget.
- Sätt huvudströmbrytaren i läge "på" (ON).

**Stoppa utrustningen:**

- 1. Sätt huvudströmbrytaren i läge "av" (OFF).
- 2. Avlägsna stickkontakten från vägguttaget.
- 3. Avlägsna stickkontakten från utrustningen.

**Säkerhetsnyckel (FIG. E-1)**

Utrustningen är utrustad med en säkerhetsnyckel som måste vara korrekt införd i panelen för att starta utrustningen. Om du avlägsnar säkerhetsnyckeln ur panelen, stoppas utrustningen omedelbart.

- Stoppa in säkerhetsnyckeln i öppningen i panelen.
- Kontrollera att säkerhetsnyckelns klämma sitter fast ordentligt i dina kläder. Kontrollera att säkerhetsnyckeln inte avlägsnas från dina kläder innan säkerhetsnyckeln avlägsnas ur panelen.

**Brytare (FIG. E-2)**

Utrustningen är utrustad med en brytare som bryter strömmen när den elektriska belastningen överstiger den maximala kapaciteten. När detta inträffar måste brytaren tryckas in.

**VARNING**

- Innan du trycker på brytaren, avlägsna stickkontakten från utrustningen.

Om utrustningen stängs av, gör följande för att starta om utrustningen:

- Avlägsna stickkontakten från utrustningen.
- Tryck på brytaren för att starta om utrustningen.
- Anslut stickkontakten till utrustningen.

**ANMÄRKNING**

- Vissa krets brytare som används i hushåll är inte lämpade för höga spänningstoppar, vilka kan förekomma när man slår på löparbandet och även vid normal användning. Om löparband gör att säkringen går hemma hos dig (trots att rätt spänning används och löparbandet är den enda apparaten i gruppen) och löparbandets säkring inte bryter, måste du byta ut säkringen till en typ som klarar större spänningstoppar. Detta är inte en defekt som täcks av garantin. Detta är ett förhållande som tillverkaren inte kan råda över.

**Panelen (fig F)****VARNING**

- Skydda panelen från direkt solljus.
- Torka av panelens yta när den är täckt av svett droppar.
- Luta dig inte mot panelen..

**ANMÄRKNING**

- Panelen övergår till viloläge när utrustningen inte har använts på 4 minuter.

**Vridknapp och knappar****Bakåt-, stoppknapp:**

- Gå tillbaka till föregående fönster.
- Avbryt den aktiva träningen.

**Användare/Inställningar:**

- Tryck på den här knappen för att öppna lägesskärmen Användare/Inställningar
- Knappen fungerar inte under träning.

**Speed +**

- Ökar hastigheten (0.8 till 20kph).
- Tryck en gång för att öka hastigheten 0.1 kph.
- Tryck och håll inne två sekunder för att öka hastigheten snabbare.

**Speed -:**

- Minskar hastigheten (0.8 till 20kph).
- Tryck en gång för att minska hastigheten 0.1 kph.
- Tryck och håll inne två sekunder för att minska hastigheten snabbare.

**Incline +**

- Ökar lutningen (0% till 12% ±1%).

**Incline -:**

- Ökar lutningen (12% till 0% ±1%).

**Vridknapp: (FIG. E-03)****Vridfunktioner:**

- Välj träningsläge i huvudmenyn.
- Val av läget Användare/Inställningar
- Välj träningsföremål i inställningsmenyn.
- Öka eller minska inställningsvärdet.
- Justera målvärde (högt/lågt) under träningen.

**Horisontellt**

Vrid medurs för att välja höger, och moturs för att välja vänster.

## Vertikalt

Vrid medurs för att växla upp, moturs för att växla ner.

## Knappfunktioner:

- Bekräftelse av Sportläget.
- Alternativbekräftelse i läget Användare/Inställning.
- Bekräftelse av träningsföremål på inställningsskärmen.
- Bekräftelse av inställningsvärde.
- Skärmväxling mellan bpm / Profile under träningen.
- Skärmväxling mellan Video/ Profil under T-Road.

## Säkerhetsnyckel

En säkerhetsnyckel levereras med den här apparaten. Den har en enkel magnetbaserad konstruktion som du alltid ska använda när du tränar på bandet. Det är ett enkelt och effektivt skydd som ser till att du inte kommer för långt bak på bandet och skyddar dig om du skulle falla.

Om säkerhetsnyckeln dras ut stannar bandet direkt.

## Gör så här

- Placera magneten i position på panelen kontroll del. öparbandet kommer inte att starta eller fungera utan denna säkerhetsåtgärd.
- Fäst plastclipset i dina kläder och se till att de sitter fast ordentligt. OBS! Magnetten är tillräckligt kraftig och ska inte orsaka oväntade plötsliga stopp. Se till att clipset sitter fast ordentligt så att det inte trillar av av sig själv. Bekanta dig med den här säkerhetsfunktionen. Löparbandet stannar ett eller två steg när magneten dras ur panelen, beroende på hastigheten. Använd den röda Stop / Pausknappen vid normal användning.

## Startskärmen

När användargränssnittet startas visas en inläsningsskärm enligt nedan. (FIG. E-04)

Efter några sekunder ändras skärmen till Dataavläsning pågår. Se nedan. (FIG. E-05)

När programmet har laddats visar användargränssnittet huvudmenyn. (FIG. E-06)

Trainer är nu redo att börja din träningsprogrammering genom att bara välja quick start och sätta igång.

## Allmän träning fönster

(FIG. E-26)

X-axeln betecknar tiden i minuter mellan 0~30. Den uppdateras en gång var 15:e minut under träning.

- Tryck under träning på vridknappen för att växla Y-axeln mellan Incline/ bpm.
- Stapeldiagrammet betecknar lutning/ fart.
- Den vita prickade linjen visar nuvarande position, som rör sig åt höger allteftersom träningstiden ökar. Träningskärmen kan som mest visa uppgifter för fem timmars.
- Den orangefärgade kurvan visar användarens faktiska puls, och varierar allteftersom pulsen går upp och ner.

## Program

### Quick start

(FIG. E-06)

- Vrid på vridknappen och välj "Quick start".
- Tryck på vridknappen för att bekräfta och snabbt gå till träningskärmen.

### Avsluta träningen

Skärmen för avsluta träning visas när du trycker på Bakåt/Stopp eller Huvudmenyn, eller när den vita prickade linjen når målvärdet.

### Skärmen avsluta träning (FIG. E-28)

#### Fortsätt:

Välj "Fortsätt:" för att gå tillbaka till träningskärmen.

#### Avsluta:

Välj "Avsluta" för att avsluta och gå till skärmen senaste pass.

### Spara ock avsluta: (FIG. E-24)

Välj "Spara ock avsluta" och ange ett filnamn längst ned på skärmen: Använd vridknappen för att välja A~Z eller 0~9, spara alla träningsdata och namnge filen för ett nytt träningsläge.



#### ANMÄRKNING

- Om du vill spara träningen måste hela träningen vara minst 10 minuter eller mera än 3 km långa..



#### ANMÄRKNING

- Du kan inte spara träning data när du använder programmet Fitness test eller T-Road

Visa träningsuppgifterna på skärmen Senaste pass.

### Skärmen träningsuppgifter (FIG. E-25)

Tryck på vridknappen för att återgå till huvudmenyn.



## Konstant puls

(FIG. E-07)

- Vrid på vridknappen och välj "Konstant puls"
- Tryck på vridknappen för att bekräfta och snabbt gå till Inställningsskärm (1)

### Inställningsskärm (1) (FIG. E-15)

- Vrid på vridknappen för att justera målpulsvärde. (Procentandel varierar med bpm-värde)
- Tryck på vridknappen för att bekräfta och gå till inställningsskärmen (2)

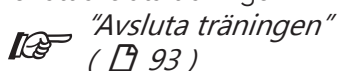
### Inställningsskärm (2) (FIG. E-16)

- Vrid på vridknappen för att välja objekt.
- Tryck på vridknappen för att bekräfta och fortsätta inställningsområdet till höger.
- Vrid på vridknappen för att byta inställningsområden.
- Tryck på vridknappen för att bekräfta och gå till träningskärmen.

### Träningskärmen (FIG. E-29)

- Meddelandet "Ingen puls signal!" visas om användarens puls inte upptäcks under träningen. during workout.

För att avsluta träningen



## Manuell

(FIG. E-08)

- Vrid på vridknappen och välj "Manuell"
- Tryck på vridknappen för att bekräfta och snabbt gå till Inställningsskärm (1)

### Inställningsskärm (1) (FIG. E-13)

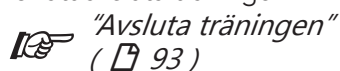
- Vrid på vridknappen för att välja objekt.
- Tryck på vridknappen för att bekräfta och fortsätta inställningsområdet till höger.
- Vrid på vridknappen för att byta inställningsområden.
- Tryck på vridknappen för att bekräfta och gå till träningskärmen.

### Träningskärmen (FIG. E-23)

- Tryck under träning på vridknappen för att växla Y-axeln mellan Incline/ bpm.
- Stapeldiagrammet betecknar vridmoment Nm-värde. Vrid på vridknappen för att justera Nm-värde.
- Den vita prickade linjen visar nuvarande position, som rör sig åt höger allteftersom kalorier/tid/distans ökar.

- Den orangefärgade kurvan visar användarens faktiska puls, och varierar allteftersom pulsen går upp och ner.

För att avsluta träningen



## Preset Programs

(FIG. E-09)

- Vrid på vridknappen och välj "Preset Programs"
- Tryck på vridknappen för att bekräfta och snabbt gå till Inställningsskärm (1)

### Inställningsskärm (1) Fig. E-47)

- Vrid på vridknappen för att välja
- Tryck på vridknappen för att bekräfta och gå till inställningsskärmen (2).

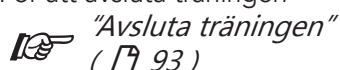
### Inställningsskärm (2) (FIG. E-14)

- Vrid på vridknappen för att välja objekt.
- Tryck på vridknappen för att bekräfta och fortsätta inställningsområdet till höger.
- Vrid på vridknappen för att byta inställningsområden.
- Tryck på vridknappen för att bekräfta och gå till träningskärmen.

### Träningskärmen ( lutning ) (FIG. E-48)

### Träning (Konstant puls) (FIG. E-27)

För att avsluta träningen



## Egna program

(FIG. E-10)

- Vrid på vridknappen och välj "egna program"
- Tryck på vridknappen för att bekräfta och snabbt gå till Inställningsskärm (1)



### ANMÄRKNING

När inga sparade träningar finns visas nedanstående fönster (FIG. E-44)

- Tryck på vridknappen för att återgå till huvudmenyn.

### Inställningsskärm (1) (FIG. E-40)

Inställningsskärmen (1) är för användarens sparade objekt och träningsuppgifter. De visas i den högra och vänstra delen.

- Vrid på vridknappen för att välja objekt.
- Tryck på vridknappen för att bekräfta och öppna fönstret för val.

### Fönstret för val (FIG. E-43)

- Vrid på vridknappen och välj objekt

### Välj "Ompspel"

- Tryck på vridknappen för att bekräfta. Gå till träningskärmen och fortsätt föregående träning

### Välj "Ändra"

- Tryck på vridknappen för att bekräfta.
- Gå till och redigera inställningsområde.
- Tryck på vridknappen för att bekräfta och gå till träningskärmen.

### Välj "Radera"

- Vrid på vridknappen för att välja objekt.
- Tryck på vridknappen för att bekräfta och öppna fönstret för val.
- Välj Ja för att radera vald fil, välj nej för att inte radera vald fil.
- Tryck på vridknappen för att bekräfta.

### Träningskärmen:

Träningskärmen beror på vilket träningsläge du befinner dig i

### Konstant puls

Det är samma som förinställda program pulsläge.

## Konditionstest

(FIG. E-11)

- Vrid på vridknappen och välj "Konditionstest"
- Tryck på vridknappen för att bekräfta och snabbt gå till Inställningsskärm (1)



### ANMÄRKNING

Användargränssnittet behöver användarens uppgifter för att behandla Konditionstest, om inga användaruppgifter finns kan Konditionstestet inte starta.

Nedanstående meddelande visas.(FIG. E-35)

- Tryck på vridknappen för att återgå till huvudmenyn.

### Informationsfönstre

Skärmen visar

"Konditionstest i en cooper testuser går / springer så långt som m"jligt på 12 minuter. "

- Tryck på vridknappen för att bekräfta och öppna träningskärmen.

## Träningskärmen (FIG. E-36)

### Skärmen visar

#### "Test misslyckades ! om:

- Ttiden för kort. Testet har stoppats

#### "Ingen puls signal!" om:

- Användarens puls inte upptäcks

Tryck på Bakåt-, stoppknapp:

eller på huvudmenyn för att lämna träningskärmen.

## Skärmen träningsuppgifter (FIG. E-25)

- Tryck på vridknappen för att gå till skärmen Vo2 max testresultat

## Skärmen Vo2 max testresultat (FIG. E-58)

- Tryck på vridknappen för att återgå till huvudmenyn.

För att avsluta träningen

"Avsluta träningen"  
( 94 )

## Tabell över Vo2 max testresultat (FIG. E-63)

## T-Road

(FIG. E-12)

- Vrid på vridknappen och välj "T-Road"
- Tryck på vridknappen för att bekräfta och snabbt gå till Inställningsskärm (1).

## Inställningsskärm (1) (FIG. E-54)

Det finns 3 valbara låtar. Nämligen:

Tuscany Sandy Road/ Tuscany Scenrey Road/ Tuscany Country Road.

- Vrid på vridknappen och välj din träningslåt.
- Tryck på vridknappen för att bekräfta och gå till träningsvideoskärmen

(FIG. E-53)

Tryck på vridknappen under träning för att växla mellan video och profil. (FIG. E-52)

- X-axeln visas som avståndsenhet, km i metriskt och mile i brittiskt.
- Y-axelns enhet är m i metriskt och ft i brittiskt.
- Tryck på vridknappen under träning för att växla mellan Video/ Profil.

### På profilskärmen:

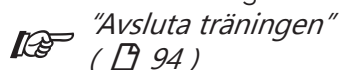
- Den vita prickade linjen visar nuvarande position, som rör sig åt höger allteftersom tränings tiden ökar.

- Den orangefärgade kurvan visar användarens faktiska puls, och varierar allteftersom pulsen går upp och ner.

### På videoskärmen:

- Den vita ikonen + 0° i den nedre delen till vänster på skärmen visar lutningsgrad och varierar med profilens ändring av lutningen.
- Genom att trycka på Back/stop, på huvudmenyn, eller när den vita prickade linjen når målvärdet lämnas träningskärmen.

För att avsluta träningen



## Editera användare

Tryck på "Editera användare" för att gå till huvudmenyn Användare/Inställningar.

- Använd vridknappen för att välja en av sex tillgängliga objekt.
- Tryck på vridknappen för att bekräfta att öppna inställningsskärm för valt objekt.

## Användarlog

(FIG. E-17)

Genom att välja "användarlog" kan du: Visa träningsuppgifter för vald användare. Visa antingen uppgifter för senaste träningspasset eller en sammanställning av användares alla pass. (FIG. E-25)

Avsluta träningsuppgifter genom att trycka på BACK/STOP.

## Editera användare

(FIG. E-18)

Genom att välja "Editera användare" kan du:

- Justera ljusstyrkan (standard = 50 %).
- Kontrollera maskinens totala körsträcka.
- Kontrollera maskinens totala använd tid.
- Kontrollera konsolens standardfirmware och mjukvaruversion.
- Byta språk.
- Valknappen pip ljud på (ja) eller av (nej).

### Fönstret användarinställningar. (FIG. E-57)

#### Ändra inställningar

- Vrid på vridknappen för att välja objekt att ändra.
- Tryck på vridknappen för att öppna valt objekt på höger sida av skärmen för redigering.
- Vrid på vridknappen för att ändra värden.
- Tryck på vridknappen för att bekräfta ändring.

- Vrid på vridknappen för att välja nästa objekt, eller använd knappen Back/ Stop för att gå tillbaka till inställningsmenyn.

## Editera användare

Genom att välja Editera användare kan du:  
Redigera: (FIG. E-34))

### Användarnamn:

- Vrid på vridknappen och välj "Namn".
- Tryck på vridknappen för att öppna redigering av "Name".
- Vrid på vridknappen för att välja bokstav.
- Tryck på vridknappen för att bekräfta.
- Vrid på vridknappen för att välja nästa bokstav.
- När namnet angetts korrekt väljer du "✓" för att bekräfta namn och gå tillbaka till menyn redigera användare.

### Enheter, visning

- Vrid på vridknappen och välj "Units".
- Tryck på vridknappen för att öppna "Units" edit.
- Vrid på vridknappen för att välja Metric: visar enheter i km/kph/Kcal
- Imperial: visar enheter i mile/mpH/kcal.
- Tryck på vridknappen för att bekräfta och gå tillbaka till menyn redigera användare.

### Visa

- Vrid på vridknappen och välj "visa".
- Tryck på vridknappen för att öppna redigering "Display".
- Vrid på vridknappen för att välja Count up: förinställd tid/distans räknas uppåt
- Count Down: förinställd tid/distans räknas nedåt.
- Tryck på vridknappen för att bekräfta och gå tillbaka till menyn redigera användare.

### Kön

- Vrid på vridknappen och välj "Kön".
- Tryck på vridknappen för att öppna redigering av kön.
- Vrid på vridknappen för att välja Man/Kvinna.
- Tryck på vridknappen för att bekräfta och gå tillbaka till menyn redigera användare.

### Ålder

- Vrid på vridknappen och välj "Ålder".
- Tryck på vridknappen för att öppna redigering av ålder.
- Vrid på vridknappen för att byta ålder.
- Tryck på vridknappen för att bekräfta och gå tillbaka till menyn redigera användare.

### Längd

- Vrid på vridknappen och välj "Längd".
- Tryck på vridknappen för att öppna redigering av längd.
- Vrid på vridknappen för att ändra längd

- 1 cm vid enheter i metriskt
- 1 fot/tum vid enheter i brittiskt system.
- Tryck på vridknappen för att bekräfta och gå tillbaka till menyn redigera användare.

### Vikt

- Vrid på vridknappen och välj "vikt".
- Tryck på vridknappen för att öppna redigering av vikt.
- Vrid på vridknappen för att ändra vikt i kg vid enheter i Metric
- i lbs vid enheter i Imperial.
- Tryck på vridknappen för att bekräfta och gå tillbaka till menyn redigera användare.

### Maxpuls

- Vrid på vridknappen och välj "maxpuls".
- Tryck på vridknappen för att öppna redigering av maxpuls.
- Vrid på vridknappen för att ändra förinställd standard maxpuls för man: 220-ålder för kvinna: 226-ålder
- Tryck på vridknappen för att bekräfta och gå tillbaka till menyn redigera användare.

### max hastighet

- Vrid på vridknappen och välj "max hastighet".
- Tryck på vridknappen för att öppna redigering av max hastighet.
- Vrid på vridknappen för att byta max hastighet.
- Tryck på vridknappen för att bekräfta och gå tillbaka till menyn redigera användare.



### ANMÄRKNING

- Den inställda "max hastighet" kommer att användas som löpbandets maximal hastighet, i manuellt liksom i programläge.

## Stryk användare

(FIG. E-20)

Genom att välja "Stryk användare" kan du:

- Ta bort en användare och dennes alla uppgifter.
- Vrid på vridknappen och välj den användare du vill ta bort.
- Tryck på vridknappen för att radera den valda användaren och gå tillbaka till inställningsmenyn.

*Användaren tas bort utan vidare bekräftelse.*

## Byt användare

(FIG. E-21)

Genom att välja "Byt användare" kan du:

- Välja en annan förinställd användarprofil.
- Vrid på vridknappen och välj den användare du vill aktivera.
- Tryck på vridknappen för att bekräfta vald användare och gå tillbaka till inställningsmenyn.

## Skapa användare

(FIG. E-22)

Genom att välja "Skapa användare" kan du skapa en ny användarprofil. Maximalt 8 användare kan installeras. Se Redigera användare hur du skapar användaren.

(FIG. E-31)

## Garanti

### Tunturis ágargarantitunt

#### Garantivillkor

Konsumenten har rätt att tillämpa de nationellt lagstadgade rättigheterna gällande konsumentvaror och denna garanti begränsar inte dessa rättigheter. Ägargarantin är giltig endast om Tunturis träningsredskap används i de miljöer som tillåts enligt Tunturi. Vilka miljöer som är tillåtna står i träningsredskapets bruksanvisning.

#### Garantivillkor

Garantivillkoren börjar att gälla från inköpsdatumet. Garantivillkoren kan variera mellan olika länder. Kontakta en lokal återförsäljare om garantivillkoren.

#### Garantins omfattning

Oavsett omständigheter, ansvarar inte Tunturi New Fitness BV eller Tunturis återförsäljare för uppkomna personskador som påverkar köparen, och som innebär inkomstförlust eller andra ekonomiska följdverkningar.

#### Gegränsningar i garantin

Garantin gäller för arbets- och materialfel, förutsatt att redskapet är i originalmonterat skick. Garantin gäller endast fel som uppstår vid normalt bruk och då den använts enligt Tunturis instruktioner gällande montering, skötsel och användning. Tunturi New Fitness BV och Tunturis återförsäljare ansvarar ej för fel som uppkommer utanför deras kontroll.

Garantin gäller endast redskapets ursprungliga ägare och är gällande endast i de länder där det finns en godkänd Tunturi New Fitness BV återförsäljare. Garantin gäller ej för redskap eller delar som har ändrats utan Tunturi New Fitness BV:s godkännande. Garantin gäller ej för fel som beror på normalt slitage,

felaktig användning, användning i förhållanden som inte är avsett för redskapet, korrosion eller lastnings- och transportskador.

Garantin täcker inte ljud som uppstår under användning såvida dessa inte väsentligt hindrar utrustningens användning eller har orsakas av ett fel i utrustningen. Garantin gäller inte för underhållsarbete, som rengöring, smörjning eller normal kontroll av komponenterna och inte heller för monteringsarbete som kunden själv kan göra och som inte kräver att redskapet plockas isär/sätts ihop. Det gäller till exempel byte av mätare, trampor eller andra motsvarande enkla delar. Garantireparationer utförda av andra än en godkänd Tunturi-representant, ersätts inte. Ifall instruktionerna i manualen inte följs upphävs produktens garanti.

## Teknisk information

Parameter	Måttenhet	Värde
Nätspänning	Vac	230
Nätfrekvens	HZ	50 ~ 60
Motor	HK	5.0
Hastighet	Km/h	0.5 - 22.0
Hastighet	Mph	0,3 - 13.7
Lutning	%	0 - 15
Längd	Cm	213
Längd	Inch	83.7
Bredd	Cm	89
Bredd	Inch	35.1
Höjd	Cm	144
Höjd	Inch	56.7
Vikt	Kg	95.0
Vikt	Lbs	209.2
Max användarvikt	Kg	150
Max användarvikt	Lbs	330

## Försäkran från tillverkaren

Tunturi New Fitness BV försäkrar att produkten uppfyller följande standarder och direktiv: EN 957 (HB), 89/336/EEG. Produkten är därför CE-märkt.

01-2017

Tunturi New Fitness BV  
Purmerweg 1  
1311 XE Almere  
Nederländerna

## Friskrivning

© 2017 Tunturi New Fitness BV  
Alla rättigheter förbehållna.

Produkten och handboken kan komma att ändras.  
Specifikationer kan ändras utan förvarning.

## Suomeksi

Tämä suomennettu käyttöohje on käännetty Englannin kielestä. Pidätämme oikeudet mahdollisiin käännösvirheisiin. Käännös tehty virallisen, englanninkielisen version pohjalta.

## Sisältö

<b>Juoksumatto</b> .....	<b>94</b>
<b>Turvallisuusvaroitukset</b> .....	<b>94</b>
Sähköturvallisuus	95
Kuvaus (kuva A)	95
Pakkauksen sisältö (kuva. B & C)	95
Kokoonpano (kuva. D)	96
Kiinnitä mutterit ja pultit	96
<b>Harjoitukset</b> .....	<b>96</b>
Ohjeita harjoittelua varten	96
Syke .....	97
<b>Käyttö</b> .....	<b>98</b>
<b>Ohjauspaneeli (fig E-1)</b> .....	<b>98</b>
Ohjelmavalitsin ja painikkeet	98
Turva-avain	99
Käyttö ....:	99
Aloitussytytys	99
Yleinen harjoitus näyttö	99
<b>Ohjelmat</b> .....	<b>99</b>
Pika-aloitus	99
Harjoituksen päättäminen	99
Vakiosyke	100
Manuaali	100
Valmisohjelmat	100
Omat ohjelmat	100
Kuntotesti	101
T-Road ...	101
<b>Käyttäjäasetukset</b> .....	<b>102</b>
Käyttäjäloki	102
Muokkaa käyttäjä	102
Muokkaa Käyttäjää	102
Poista käyttäjä	103
Vaihda käyttäjä	103
Luo käyttäjä	103
<b>Takuu</b> .....	<b>103</b>
<b>Tekniset tiedot</b> .....	<b>104</b>
<b>Valmistajan vakuutus</b> .....	<b>104</b>
<b>Vastuuvapauslauseke</b> .....	<b>104</b>

## Juoksumatto

Tervetuloa Tunturi Fitness -maailmaan!  
Kiitämme sinua tämän Tunturi-laitteen ostosta. Tunturi tarjoaa laajan valikoiman ammattimaisia kuntoilulaitteita, mukaan lukien crosstrainerit, juoksumatot, kuntopyörät ja soutulaitteet. Tunturi-laite sopii koko perheelle kuntotasosta riippumatta. Katso lisätiedot verkkosivuiltamme [www.tunturi.com](http://www.tunturi.com)

### Tärkeitä turvallisuusohjeita

Tämä opas on olennainen osa kuntolaitettasi. Perehdy ohjeisiin huolellisesti ennen kuin asennat, käytät tai huollat kuntolaitettasi. Sinun tulee ehdottomasti säilyttää tämä opas, sillä jatkossa se opastaa Sinua niin kuntolaitteesi tehokkaaseen käyttöön kuin huoltoonkin. Muista aina noudattaa tämän oppaan ohjeita.

## Turvallisuusvaroitukset



### VAROITUS

*Lue turvallisuusvaroitukset ja -ohjeet. Turvallisuusvaroitusten ja -ohjeiden jättäminen noudattamatta voi aiheuttaa henkilön loukkaantumisen tai laitevaurion. Säilytä turvallisuusvaroitukset ja -ohjeet myöhempää käyttöä varten.*



### VAROITUS

*Sykkeenvälivälilinjat saattavat olla epätarkkoja. Liiallinen harjoittelu saattaa aiheuttaa vakavia vammoja tai kuoleman. Jos tunnet olosi heikoksi, lopeta harjoittelu heti.*

- Tämä laite soveltuu sekä koti- että ammattikäyttöön (esim. sairaaloihin, paloasemille, hotelleihin, kouluihin). Enimmäiskäyttö on rajoitettu 6 tuntiin päivässä. Laite ei sovellu täyteen kaupalliseen käyttöön (esim. suuriin kuntosaleihin).
- Tämän laitteen käyttö lasten tai fyysisesti, aistillisesti, henkisesti, tai liikunnallisesti rajoittuneiden, tai kokemukseltaan ja tiedoiltaan puutteellisten henkilöiden toimesta voi aiheuttaa vaaratilanteita. Heidän turvallisuudestaan vastuussa olevien henkilöiden on annettava selkeät ja tarkat ohjeet laitteen käytöstä ja valvottava laitteen käyttöä.
- Ennen harjoituksen aloittamista ota yhteys lääkäriin terveystarkastusta varten.
- Jos sinulla on pahoinvointia, huimausta, tai muita epätavallisia oireita, lopeta välittömästi harjoitus ja ota yhteys lääkäriin.
- Vältä lihaskipuja ja venähdyksiä aloittamalla jokainen harjoitus lämmittelyjaksolla ja päättää jokainen harjoitus jäähdyttelyjaksolla. Muista venyttellä harjoittelun lopuksi.

- Laite on sopiva vain sisäkäyttöön. Laite ei ole sopiva ulkokäyttöön.
- Käytä laitetta riittävällä tuuletuksella varustetuissa tiloissa. Älä käytä laitetta vetoisissa tiloissa välttääksesi kylmettymisen.
- Käytä laitetta vain ympäristölämpötilassa 10 °C - 35 °C. Säilytä laitetta vain ympäristölämpötilassa 5 °C - 45 °C.
- Älä käytä tai säilytä laitetta kosteissa tiloissa. Ilmankosteus ei saa koskaan olla yli 80 %.
- Käytä laitetta vain sen aiottuun tarkoitukseen. Älä käytä laitetta muihin, kuin tässä käyttöoppaassa esitettyihin tarkoituksiin.
- Älä käytä laitetta, jos sen jokin osa on vaurioitunut tai viallinen. Jos osa on vaurioitunut tai viallinen, ota yhteys jälleenmyyjään.
- Pidä kätesi, jalkasi ja kehon muut osat pois liikkuvista osista.
- Pidä hiuksesi pois liikkuvista osista.
- Käytä asianmukaista vaatetusta ja kenkiä.
- Pidä vaatteet, korut ja muut esineet pois liikkuvista osista.
- Varmista, että vain yksi henkilö kerrallaan käyttää laitetta. Yli 150 kg (330 lbs) ainava henkilö ei saa käyttää laitetta.
- Älä avaa laitetta ilman yhteydenottoa jälleenmyyjäsi.

## Sähköturvallisuus

(koskee vain sähköistä laitetta)

- Varmista aina ennen käyttöä, että sähkölähteen jännite on sama kuin laitekilvessä ilmoitettu laitteen nimellisjännite.
- Älä käytä jatkojohtoa.
- Pidä virtajohto pois kuumasta, öljystä ja terävistä kulmista.
- Älä tee muutoksia virtajohtoon tai pistokkeeseen.
- Älä käytä laitetta, jos virtajohto tai virtajohdon pistoke on vaurioitunut tai viallinen. Jos virtajohto tai virtajohdon pistoke on vaurioitunut tai viallinen, ota yhteys jälleenmyyjäsi.
- Suorista aina virtajohto täysin.
- Älä vie virtajohtoa laitteen alitse. Älä laita virtajohtoa maton alle. Älä laita virtajohdon päälle mitään esineitä.
- Varmista, ettei virtajohto roiku pöydän kulman yli. Varmista, ettei virtajohtoon voi vahingossa tarttua kiinni tai kompastua.
- Älä jätä laitetta ilman valvontaa virtajohdon ollessa liitettyinä pistorasiaan.
- Älä vedä pistoketta irti pistorasiasta virtajohdosta vetämällä.
- Irrota pistoke pistorasiasta, kun laite ei ole käytössä, ennen asennusta tai purkamista ja ennen puhdistusta sekä huoltoa.



### VAROITUS

- Jos virtalähteen jännitevaihtelu on 10 % tai enemmän, se voi vaikuttaa kielteisesti juoksumaton toimintaan. Sellaiset olosuhteet eivät kuulu takuun piiriin. Jos epäilet, että jännite on alhainen, ota yhteyttä energiayhtiösi tai valtuutettuun sähkömieheen asian tarkistamiseksi.



### VAROITUS

- ÄLÄ käytä vikavirtasuojakytkimellä varustettua pistorasiaa tämän juoksumaton kanssa. Vikavirtasuojakytkin ei toimi luotettavasti sellaisten laitteiden kanssa, joissa on suuri moottori. Sijoita verkkojohto riittävän etäälle juoksumaton liikkuvista osista, kaltevuusmekanismi ja siirtopyörät mukaan lukien.

## Maadoitusohjeet

Tämä laite on liitettävä maadoitettuun pistorasiaan. Jos juoksumaton sähköjärjestelmään sattuisi tulemaan häiriöitä tai vikaa, maadoitus vähentää sähköiskun vaaraa tarjoamalla sähkövirralle vähiten vastusta sisältävän polun. Juoksumaton verkkojohdossa on maadoitettu pistoke. Pistoke on liitettävä asianmukaiseen seinäpistorasiaan, joka on asennettu ja maadoitettu kaikkien paikallisten normien ja määräysten mukaisesti.



### VAROITUS

- Maattojohdon väärä liitanta voi aiheuttaa sähköiskun vaaran. Jos et ole varma siitä, onko laite maadoitettu ohjeiden mukaisesti, tarkista asia pätevältä sähkömieheltä tai huoltoasentalta. Jos kuntolaitteen mukana toimitettu pistoke ei sovi pistorasiaan, älä yritä tehdä pistokkeeseen muutoksia. Ota yhteyttä valtuutettuun sähkömieheen ohjeiden mukaisen pistorasian asentamiseksi.

## Kuvaus (kuva A)

Juoksumattosi on paikallaan pysyvä kuntoilulaite, jota käytetään simuloimaan kävelyä tai juoksua ilman liiallista rasiusta niveliin.

## Pakkauksen sisältö (kuva. B & C)

- Pakkaus sisältää kuvassa B näytetyt osat.
  - Pakkaus sisältää kuvassa C näytetyt kiinnittimet.
- Katso "Kuvaus"-osiota.



### ILMOITUS

- Jos osa puuttuu, ota yhteys jälleenmyyjään.

## Kokoonpano (kuva. D)



### VAROITUS

- Kokoonpane laite esitetyssä järjestyksessä.
- Vähintään kahden henkilön on kannettava ja siirrettävä laitetta.



### HUOMAUTUS

- Sijoita laite kovalle, tasaiselle alustalle.
- Asettakaa laite suojalustalle lattiapinnan vaurioiden estämiseksi.
- Varaa vähintään 100 cm tilaa laitteen ympärille.

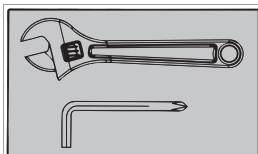


Katso piirroksesta laitteen oikea asennus.

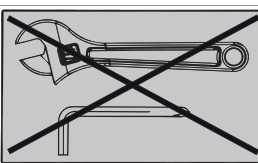
### Kokoonpano ilmoitus (kuva. D-3A)

Paikka kannattimet (3 ja 4) konsolin takaosassa, voit kiristää ruuvit.

## Kiinnitä mutterit ja pultit



Kiristä kaikki mutterit ja pultit kunnolla sen jälkeen, kun kaikki osat on asennettu näiden ja edeltävien vaiheiden mukaisesti.



Älä kiristä kaikkia muttereita ja pultteja tässä vaiheessa.



### ILMOITUS

- Kun olet suorittanut asennuksen loppuun, pane tämän tuotteen mukana toimitetut työkalut talteen tulevia huoltotöitä varten.

## Harjoitukset

Harjoituksen on oltava sopivan kevyt, mutta pitkäkestoinen. Aerobic-harjoitus perustuu kehon maksimi hapenottokyvyn parantamiseen, mikä puolestaan parantaa kestävyyttä ja kuntotasoa. Harjoituksen aikana sinun tulisi hikoilla, mutta sinun ei tulisi hengästyä. Harjoittele vähintään kolme kertaa viikossa 30 minuuttia peruskuntotason saavuttamiseksi ja ylläpitämiseksi. Paranna kuntotasosi lisäämällä harjoituskertojen määrää. On hyödyllistä yhdistää säännöllinen harjoitus terveelliseen dieettiin. Dieettiin sitoutuneen henkilön tulisi harjoitella päivittäin, ensi alkuun korkeintaan 30 minuuttia ja vähitellen lisäten päivittäinen harjoitusaika yhteen tuntiin.

Aloita harjoituksesi hitaalla nopeudella ja pienellä vastuksella estääksesi liiallisen rasituksen sydän- verisuonijärjestelmään. Nopeutta ja vastusta voidaan vähitellen lisätä kuntotason parantuessa. Harjoituksesi tehokkuus voidaan mitata seuraamalla sydämesi lyöntinopeutta ja pulssisi nopeutta. Lisää nopeutta ja vastusta vähitellen oman kuntosi mukaan. Pidä pää pystyssä ja kaula suorana välttääksesi stressiä kaulassa, hartioissa ja selässä. Pidä selkäsi suorana. Varmista, että jalkasi ovat keskellä polkimia ja että lantio, polvet, nilkat ja varpaat ovat suoraan eteenpäin. Pidä painosi alaruumiin yläpuolella, huolimatta siitä, nojaatko eteepäin vai seisotko suorana. Lopeta harjoitusjaksosi vähentämällä nopeutta ja vastusta vähitellen. Muista venytellä harjoittelun loppuksi.

## Ohjeita harjoittelua varten

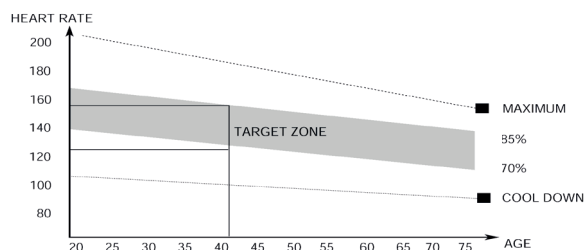
Kuntolaitteen käyttö tarjoaa monia etuja: se parantaa fyysistä kuntoa, kiinteyttää lihaksia ja hallittuun ruokavalion yhdistettynä se auttaa myös pudottamaan painoa.

### Lämmittelyvaihe

Tämän vaiheen tarkoituksena on saada veri virtaamaan nopeammin ympäri kehoa ja panna lihakset tekemään työtä. Lämmittely vähentää myös kramppien ja lihasvammojen riskiä. Suosittelemme, että teet muutaman venyttelyharjoituksen alla olevan kuvan mukaisesti. Jokaisen venytyksen tulisi kestää noin 30 sekuntia. Älä tee venytyksiä väkisin tai nykäisten - jos tunnet kipua, LOPETA.

### Harjoitteluvaihe

Tämä on se vaihe, jossa ponnistelet. Säännöllisen harjoittelun tuloksena jalkojesi lihakset tulevat joustavammiksi. Tässä vaiheessa on hyvin tärkeää ylläpitää tasaista nopeutta koko ajan. Rasituksen tulisi olla riittävän suuri, jotta sykkeesi nousee tavoitealueelle alla olevan kaavion mukaisesti



Tämän vaiheen tulisi kestää vähintään 12 minuuttia, mutta useimmilla aloittelijoilla se on noin 15-20 minuuttia.

### Jäähdyttelyvaihe

Tämän vaiheen tarkoituksena on antaa verenkiertojärjestelmäsi ja lihaksiesi palautua. Jäähdyttelyssä toistetaan lämmittelyvaiheen harjoitukset vähentämällä ensin nopeutta ja jatkamalla tällä nopeudella noin 5 minuuttia. Toista sitten venyttelyharjoitukset pitäen mielessä, että venytyksiä ei saa tehdä väkisin tai nykäisten.



Kun kuntosi nousee, voit tarvita pidempiä ja raskaampia harjoituksia. On suositeltavaa treenata vähintään kolme kertaa viikossa, ja harjoittelut olisi hyvä jakaa tasaisesti viikon varrelle.

### Lihasten kiinteytys

Jos tavoitteesi on lihasten kiinteytys, sinun pitää asettaa vastus suureksi. Silloin jalkojesi lihakset rasittuvat enemmän, etkä ehkä pysty treenaamaan niin pitkään kuin haluaisit. Jos tavoitteesi on myös kunnan kohentaminen, sinun pitää muuttaa harjoitteluohjelmaasi. Harjoittele lämmittely- ja jäähdyttelyvaiheissa normaalisti, mutta lisää vastusta harjoitteluvaiheessa, jotta jalkasi joutuvat tekemään enemmän työtä. Vähennä tarvittaessa nopeutta, jotta sykkeesi pysyy tavoitealueella.

### Painon pudotus

Ratkaisevaa on se, miten rasittavaa harjoittelu on. Mitä enemmän ja mitä pidempään harjoittele, sitä enemmän poltat kaloreita. Vaikutus on sama kuin jos harjoittelisit kunnan kohentamiseksi, vaikka tavoite on nyt toinen.

## Syke

### Pulssinopeuden mittaus (käsipulssianturit)

Pulssinopeus mitataan käsitukien antureilla käyttäjän koskettaessa kumpaakin anturia samanaikaisesti. Pulssi saadaan mitattua mahdollisimman tarkasti, kun iho on hieman kostea ja se koskettaa koko ajan käsipulssiantureita. Jos iho on liian kuiva tai liian kostea, pulssinopeuden mittaus voi olla epätarkempi.



#### ILMOITUS

- Älä käytä käsipulssiantureita yhdessä sykevyön kanssa.
- Jos asetat rajan sydämen lyöntinopeudelle, rajan ylittyessä kuuluu äänihälytys.

### Sykkeen mittaus (sykevyö)

Tarkin sydämen lyöntinopeus saadaan sykevyöllä. Sykemittaus tapahtuu käyttöliittymän sykevastaanottimen ja sykevyön lähettimen avulla. Tarkka sydänmittaus edellyttää lähetyksen elektrodien olevan hieman kosteita ja jatkuvassa kosketuksessa ihoon. Jos elektrodit ovat liian kuivia tai liian kosteita, sykkeen mittaus voi olla epätarkempi.



#### VAROITUS

- Jos sinulla on sydäntahdistin, ota yhteys lääkäriin ennen sykevyön käyttöä.



#### HUOMAUTUS

- Jos useita sykemittauslaitteita on vierekkäin, varmista, että niiden keskinäinen etäisyys on vähintään 2 metriä.

- Varmistu, että laitteen sykevastaanottimen ja sykevyön lähettimen kantomatkan sisällä ei ole muita lähettäjiä, jotka voisivat aiheuttaa häiriöitä mittauksessa.



#### ILMOITUS

- Älä käytä sykevyötä yhdessä käsipulssiantureiden kanssa.
- Pidä aina sykevyötä vaatteittesi alla suorassa kosketuksessa ihoosi. Älä pidä sykevyötä vaatteittesi päällä. Jos pidät sykevyötä vaatteittesi päällä, signaalia ei ole.
- Jos asetat rajan sydämen lyöntinopeudelle, rajan ylittyessä kuuluu äänihälytys.
- Lähetin lähettää sykkeen korkeintaan 1,5 metrin etäisyydellä olevaan ohjauspaneeliin. Jos elektrodit eivät ole kosteita, sydämen lyöntinopeus ei tule näytölle.
- Jotkin vaatteiden kuidut (esim. polyesteri, polyamidi) synnyttävät staattista sähköä, mikä voi estää tarkan sydämen lyöntinopeuden mittauksen.
- Matkapuhelimet, televisiot ja muut sähkölaitteet luovat sähkömagneettisen kentän, joka voi estää tarkan sydämen lyöntinopeuden mittauksen.

### Suurin sallittu sydämen lyöntinopeus (harjoituksen aikana)

Suurin sallittu sydämen lyöntinopeus on suurin lyöntinopeus, jonka henkilö voi turvallisesti saavuttaa harjoituksen rasituksella. Seuraavaa kaavaa käytetään laskemaan keskimääräinen suurin sallittu sydämen lyöntinopeus: 220 - IKÄ. Suurin sallittu sydämen lyöntinopeus vaihtelee henkilöstä toiseen.



#### VAROITUS

- Varmista, ettet ylitä sydämesi suurinta sallittua lyöntinopeutta harjoituksen aikana. Jos kuulut riskiryhmään, ota yhteys lääkäriin.

### Aloittelija

#### 50-60% suurimmasta sallitusta sydämen lyöntinopeudesta

Sopiva aloittelijoille, painonvartijoille, toipilaille, ja henkilöille, jotka eivät ole harjoitelleet pitkään aikaan. Harjoittele vähintään kolme kertaa viikossa, 30 minuuttia kerrallaan.

### Edistynyt

#### 60-70% suurimmasta sallitusta sydämen lyöntinopeudesta

Sopiva henkilöille, jotka haluavat parantaa ja ylläpitää kuntoaan. Harjoittele vähintään kolme kertaa viikossa, 30 minuuttia kerrallaan..

### Ekspertti

#### 70-80 % suurimmasta sallitusta sydämen lyöntinopeudesta

Sopiva kunnoltaan erittäin hyvälle henkilöille, jotka ovat tottuneet pitkäkestoisiin harjoituksiin.

## Käyttö

### Pääkytkin (kuva. E-2)

Tämä laite on varustettu pääkytkimellä laitteen sammuttamiseksi kokonaan.

### Laitteen käynnistäminen:

- Työnnä virtajohdon pistoke laitteeseen.
- Laita virtajohdon pistoke pistorasiaan.
- Laita pääkytkin ON-asentoon.

### Laitteen pysäyttäminen:

- Laita pääkytkin OFF-asentoon.
- Poista virtajohdon pistoke pistorasiasta.
- Poista virtajohdon pistoke laitteesta.

### Turvallisuusavain (Kuva. E-2)

Laite on varustettu turvallisuusavaimella, joka on laitettava asianmukaisesti ohjauspaneeliin laitteen käynnistämiseksi. Jos poistat turvallisuusavaimen ohjauspaneelista, laite pysähtyy välittömästi.

- Työnnä turvallisuusavain ohjauspaneelissa olevaan hahloon.
- Varmista, että turvallisuusavaimen pidike on kiinnitetty hyvin vaatteisiisi. Varmista, että pidike ei irtoa vaatteistasi ennen kuin turvallisuusavain irtoaa ohjauspaneelista.

### Katkaisin (Kuva. E-2)

Laite on varustettu katkaisimella, joka avaa virtapiirin sähkökuormituksen ollessa yli suurimman sallitun kuorman. Tämän tapahtuessa katkaisijaa on painettava.



### VAROITUS

- Poista virtajohdon pistoke laitteesta ennen katkaisimen painamista.

Jos laite sammuttaa itsensä, käynnistä laite uudestaan seuraavasti:

- Poista virtajohdon pistoke laitteesta.
- Paina katkaisinta laitteen käynnistämiseksi uudelleen.
- Työnnä virtajohdon pistoke laitteeseen.

### NOTE

Joitakin kotona käytettäviä katkaisimia ei ole luokiteltu korkeaan käynnistysvoltagevirtaan, jota voi esiintyä, kun juoksumatto kytketään päälle ja jopa normaalin käytön aikana. Jos juoksumattosi aktivoi katkaisimen (vaikka luokitus on oikea ja juoksumatto on virtapiirin ainoa laite), mutta juoksumaton oma katkaisin ei aktivoitu, sinun pitää vaihtaa katkaisin korkealle käynnistysvoltagevirralle tarkoitettuun tyyppiin. Tämä vika ei kuulu takuun piiriin. Kyseessä on asia, johon emme valmistajana voi vaikuttaa.

## Ohjauspaneeli (fig E-1)



### HUOMAUTUS

- – Pidä ohjauspaneeli pois suorasta auringonvalosta.
- – Kuivaa ohjauspaneelin pinta, jos siihen on tippunut hikeä.
- – Älä nojaa ohjauspaneeliin.
- – Kosketa näyttöä vain sormenpäälläsi. Älä kosketa näyttöä kynsilläsi tai terävillä esineillä.



### ILMOITUS

- – Ohjauspaneeli siirtyy valmiustilaan, kun laitetta ei ole käytetty 4 minuuttiin.

## Ohjelmavalitsin ja painikkeet

### Paluu-/pysäytys-painike

- Siirry takaisin edelliseen näyttöön.
- Pysäytä harjoitus.

### Käyttäjäasetukset-painike

- Siirry käyttäjäasetuksiin.
- Ei käytettävissä harjoituksen aikana.

### Speed +

Yhdellä painalluksella lisää maton nopeutta 0.1 km/h (0.5-22.0 km/h).

Pidempi, 2 sekunnin painallus nopeuttaa arvojen vaihtumista.

Tällä painikkeella voit myös valita harjoitusohjelman.

### Speed -:

Yhdellä painalluksella vähennät maton nopeutta 0.1 km/h (22.0-0.5 km/h).

Pidempi, 2 sekunnin painallus nopeuttaa arvojen vaihtumista.

Tällä painikkeella voit myös valita harjoitusohjelman.

### Incline +

Painamalla kasvutat juoksualueen kulmaa +1% (0-12 %).

Tällä painikkeella voit myös valita harjoitusohjelman.

### Incline -:

Painamalla pienennät juoksualueen kulmaa -1% (12-0 %).

Tällä painikkeella voit myös valita harjoitusohjelman.

### Ohjelmavalitsin: (kuva. E-03)

### Pyöritystoiminnot:

- Harjoituksen valinta päävalikossa.
- Käyttäjäasetusten valinnat.
- Harjoitusprofiilin valinta asetusvalikossa.

- Kasvata tai pienennä asetettavaa arvoa.
- Harjoitustavoitteen säätäminen (kasvattaminen/pienentäminen) harjoituksen aikana.

### Horisontaalinen valinta

Pyöritä myötäpäivään siirtyäksesi vaihtoehtoissa oikealle; pyöritä vastapäivään siirtyäksesi vaihtoehtoissa vasemmalle.

### Vertikaalinen valinta

Pyöritä myötäpäivään kasvattaaksesi asetettavaa arvoa; pyöritä vastapäivään pienentääksesi sitä

### Painiketoiminnot:

- Harjoitusvalinnan vahvistus.
- Käyttäjäasetuksen vahvistus.
- Harjoitusprofiilin vahvistus asetusvalikossa.
- Asetettavan arvon vahvistus.
- Näyttöjen välillä siirtyminen harjoituksen aikana: BPM/ Profile
- Näyttöjen välillä siirtyminen T-Road:n aikana: video - profiili.

## Turva-avain

Juoksumaton toimitukseen sisältyy turva-avain. Turva-avain on yksinkertainen magneettinen väline, jota tulisi käyttää aina. Se varmistaa turvallisuutesi, jos satut kaatumaan tai siirtymään liian pitkälle maton takaosaan. Turva-avaimen irrotessa mittarista matto pysähtyy välittömästi.

## Käyttö

Aseta turva-avain paikalleen mittariin. Juoksumatto ei käynnisty eikä ala toimia ennen kuin turva-avain on paikallaan.

Kiinnitä muovisolki vaatteeseesi niin lujasti, että se pysyy siinä varmasti. Huom: Turva-avaimen magneetti on riittävän voimakas, että juoksumatto ei pääse pysähtymään vahingossa ja yllättäen. Turva-avaimen solki tulee kiinnittää lujasti, jotta se ei pääse irtoamaan. Pehdy sen toimintaan ja rajoituksiin. Juoksumatto pysähtyy maton nopeudesta riippuen yhden tai kahden askeleen aikana aina kun turvaavain vedetään irti mittarista. Käytä normaalissa toiminnassa punaista STOP/PAUSE-kytkintä.

## Aloituspainike

Kun käyttöliittymä käynnistetään, näyttöön ilmestyy alla oleva latauspainike (Kuva. E-04)

Muutaman sekunnin kuluttua näyttö vaihtuu alla olevaan näyttöön: tietojenkäsittelykäynnissä. (Kuva. E-05)

Kun sovellus on valmis käytettäväksi, päävalikko avautuu näyttöön. (Kuva. E-06)

Nyt voit ohjelmoida haluamasi harjoituksen tai aloittaa treenin saman tien pika-aloituksella.

## Yleinen harjoitus näyttö

(Kuva. E-26)

X-akseli esittää valinnasta riippuen Matkaa.

Energian yksikkö kcal

Ajan yksikkö min

Matkan yksikkö km metrijärjestelmässä

mailit UK-järjestelmässä

- Painamalla ohjelmavalitsimesta harjoituksen aikana voit vaihtaa Y-akselia: Incline/ bpm.
- Valkoinen katkoviiva osoittaa harjoituksen nykytilan ja liikkuu oikealle harjoituksen edetessä. Harjoitusnäyttö voi näyttää tiedot enintään viiden tunnin ajalta.
- Oranssi käyrä esittää käyttäjän sydämensykeä ja vaihtelee sykkeen kiihtyessä ja laskiessa.

## Ohjelmat

### Pika-aloitus

(Kuva. E-06)

- Pyöritä ohjelmavalitsinta ja valitse "Pika-aloitus" (Quick start).
- Painamalla ohjelmavalitsimesta vahvistaaksesi valinnan ja etenet saman tien harjoitusnäytölle

### Harjoituksen päättäminen

Kun käyttäjä painaa takaisin/stop/päävalikko-painiketta, hän siirtyy harjoituksen päättymisestä ilmoittavalle näytölle. Sama näyttö näkyy myös, kun harjoitus ja valkoinen katkoviiva saavuttavat harjoitustavoitteen

### Harjoituksen päättymisnäyttö (Kuva. E-28)

#### Jatka:

Valitse "Jatka" (Continue) palataksesi harjoitukseen.

#### Lopeta:

Valitse "Lopeta" (Exit) lopettaaksesi harjoituksen ja siirtyäksesi viimeiselle harjoitusnäytölle.

#### tallenna ja lopeta: (Kuva. E-24)

Valitse "tallenna ja lopeta" (Save&Exit) tallentaaksesi harjoituksen. Anna harjoitukselle nimi: pyöritä ohjelmavalitsinta valitaksesi A-Z tai 0-9 . Harjoituksen tiedot ja nimi tallentuvat uudeksi harjoitustilaksi

**ILMOITUS**

- Jotta treenitiedot saa tallennettua niin pitää olla suoritettuna joko 10 minuutin tai 3 kilometrin verran treenitietoja.

**ILMOITUS**

- IKuntoilutietoja ei ole mahdollista tallentaa silloin kun tekee kuntotestiä tai on T-Road toiminnossa.

Harjoituksen tiedot näkyvät viimeisellä harjoitusnäytöllä

**Harjoituksen tiedot (Kuva. E-25)**

Paina säätöpyörää palataksesi päävalikkoon

**Vakiosyke**

(Kuva. E-07)

- Pyöritä ohjelmavalitsinta ja valitse "Vakiosyke" (Target HR)
- Painamalla ohjelmavalitsimesta vahvistaaksesi valinnan ja etenet saman tien harjoitusnäytölle.

**Asetusnäyttö (1) (Kuva. E-15)**

- Pyöritä ohjelmavalitsinta asettaaksesi tavoitesykkeen. (Prosenttiosuus vaihtelee bpm-arvon mukaan.)
- Paina ohjelmavalitsinta vahvistaaksesi valinnan ja edetäksesi Asetusnäyttöön 2.

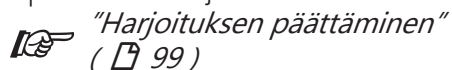
**Asetusnäyttö (2) (Kuva. E-16)**

- Pyöritä ohjelmavalitsinta valitaksesi asetusten välillä.
- Paina ohjelmavalitsinta vahvistaaksesi valinnan ja edetäksesi arvon asettamiseen.
- Pyöritä ohjelmavalitsinta vaihtaaksesi arvoa.
- Paina ohjelmavalitsinta vahvistaaksesi valinnan ja edetäksesi harjoitusnäytölle.

**Harjoitusnäyttö (Kuva. E-29)**

- Viesti: "No Heart Rate" (Ei sykettä) näkyy, jos käyttäjän sykettä ei havaita harjoituksen aikana.

Lopettaaksesi harjoituksen katso:

**Manuaali**

(Kuva. E-08)

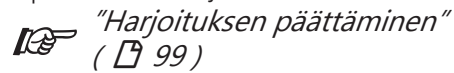
- Pyöritä ohjelmavalitsinta ja valitse "Manuaali" (Manual)
- Painamalla ohjelmavalitsimesta vahvistaaksesi valinnan ja etenet saman tien harjoitusnäytölle.

**Asetusnäyttö (1) (Kuva. E-13)**

- Pyöritä ohjelmavalitsinta valitaksesi asetusten välillä.
- Paina ohjelmavalitsinta vahvistaaksesi valinnan ja edetäksesi arvon asettamiseen.
- Pyöritä ohjelmavalitsinta vaihtaaksesi arvoa.
- Paina ohjelmavalitsinta vahvistaaksesi valinnan ja edetäksesi harjoitusnäytölle.

**Harjoitusnäytt (Kuva. E-23)**

Lopettaaksesi harjoituksen katso:

**Valmisojhelmat**

(Kuva. E-09)

- Pyöritä ohjelmavalitsinta ja valitse "Valmisojhelmat" (Preset programs)
- Painamalla ohjelmavalitsimesta vahvistaaksesi valinnan ja etenet saman tien harjoitusnäytölle.

**Setting screen (1) (Kuva. E-47)**

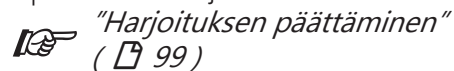
- Pyöritä ohjelmavalitsinta valitaksesi seuraavien väliltä:
- Paina ohjelmavalitsimesta vahvistaaksesi valinnan ja edetäksesi Asetusnäyttöön 2

**Asetusnäyttö (2) (Kuva. E-14)**

- Pyöritä ohjelmavalitsinta valitaksesi asetusten välillä.
- Paina ohjelmavalitsimesta vahvistaaksesi valinnan ja edetäksesi arvon asettamiseen.
- Pyöritä ohjelmavalitsinta vaihtaaksesi arvoja.
- Paina ohjelmavalitsimesta vahvistaaksesi valinnan ja edetäksesi harjoitusnäytölle.

**Harjoitusnäytt  
( Watt Control ) (Kuva. E-48)****Harjoitusnäytt  
(Heart Rate Control) (Kuva. E-27)**

Lopettaaksesi harjoituksen katso:

**Omat ohjelmat**

(Kuva. E-10)

- Pyöritä ohjelmavalitsinta ja valitse "Omat ohjelmat" (Own trainings)
- Painamalla ohjelmavalitsimesta vahvistaaksesi valinnan ja etenet saman tien harjoitusnäytölle.

**ILMOITUS**

- Kun tallennettuja omia harjoituksia ei ole, näytössä näkyy alla oleva teksti.

(Kuva. E-44)

- Paina ohjelmavalitsimesta palataksesi päävalikkoon.

**Asetusnäyttö (1) (Kuva. E-40)**

Asetusnäyttö 1 on käyttäjän tallennetuille tiedoille ja harjoituksille. Nämä näkyvät näytön oikeassa ja vasemmassa reunassa.

- Pyöritä ohjelmavalitsinta selataksesi harjoituksia.
- Paina ohjelmavalitsinta vahvistaaksesi valinnan ja edetäksesi valikkoon.

**Valikko (Kuva. E-43)**

- Pyöritä ohjelmavalitsinta ja valitse toiminto.

**Valitse Toista (Replay)**

- Paina ohjelmavalitsimesta vahvistaaksesi valinnan. Etenet harjoitusnäyttöön ja aloitat aiemmin tallentamasi harjoituksen.

**Valitse Muokkaa (Edit)**

- Paina ohjelmavalitsimesta vahvistaaksesi valinnan.
- Muokkaa ja hyväksy arvot.
- Paina ohjelmavalitsinta vahvistaaksesi valinnat ja edetäksesi harjoitusnäytölle.

**Valitse Delete (Poista)**

- Pyöritä ohjelmavalitsinta valitaksesi ohjelman poiston.
- Paina ohjelmavalitsinta vahvistaaksesi valinnan.
- Valitse "Kyllä" (Yes) poistaaksesi harjoituksen tai "Ei" (No), jos haluat peruuttaa poiston.
- Paina ohjelmavalitsinta vahvistaaksesi.

**Harjoitusnäyttö**

Harjoitusnäyttö riippuu valitsemastasi harjoitustilasta.

**Tavoitesyke:**

Harjoitusnäyttö on sama kuin esiasetettujen ohjelmien syketila.

**Kuntotesti**

(Kuva. E-11)

- Pyöritä ohjelmavalitsinta ja valitse "Kuntotesti" (Fitness test)
- Painamalla ohjelmavalitsimesta vahvistaaksesi valinnan ja etenet saman tien harjoitusnäytölle

**ILMOITUS**

Käyttöliittymä tarvitsee käyttäjän tiedot kuntotestiä varten. Jos tietoja ei ole syötetty, kuntotesti ei käynnisty. Tässä tapauksessa alla oleva teksti tulee näytöön. (Kuva. E-35)

- Paina ohjelmavalitsimesta palataksesi päävalikkoon.

**Info-näyttö**

näytössä näkyy:

"kuntotesti in cooper testuser kävell / juoksee niin pitkälle kuin mahdollista 12 minuutissa."

- Paina ohjelmavalitsimesta vahvistaaksesi valinnan ja edetäksesi harjoitusikkunaan.

**Harjoitusnäyttö (Kuva. E-36)****Info-näyttö****Näytöllä näkyy:**

"Test Failed"! (Testi epäonnistui)

- Harjoitus on kestoltaan liian lyhyt

**Sykettä ei havaittu**

- Laite ei havaitse käyttäjän sykettä.

Paina Back/stop tai päävalikkopainiketta poistuaksesi harjoitusnäytöltä.

**Harjoituksen yhteenveto (Kuva. E-25)**

- Press jog wheel to go to VO2 Max test result screen

**VO2 Max –testitulospnäyttö (Kuva. E-58)**

- Paina ohjelmavalitsinta palataksesi päävalikkoon.

Lopettaaksesi harjoituksen katso:

"Harjoituksen päättäminen"  
( 99 )

**VO2 Max –testitulostaulukko (Kuva. E-63)****T-Road**

(Kuva. E-12)

- Pyöritä ohjelmavalitsinta ja valitse "T-road"
- Painamalla ohjelmavalitsimesta vahvistaaksesi valinnan ja etenet saman tien harjoitusnäytölle.

**Asetusnäyttö (1) (Kuva. E-54)**

Ratavaihtoehtoja on kolme:

Tuscany Sandy Road/ Tuscany Scenery Road/ Tuscany Country Road.

- Pyöritä ohjelmavalitsinta ja valitse harjoitusrata.

- Paina ohjelmavalitsimesta vahvistaaksesi valinnan ja edetäksesi videonäytölle. (Kuva. E-53)

Harjoituksen aikana voit siirtyä videonäytön ja harjoitusnäytön välillä painamalla ohjelmavalitsimesta. (Kuva. E-52)

- X-akseli esittää matkaa, ja sen yksikkönä on kilometrit tai mailit.
- Y-akselin yksikkö on metrit tai jalat.
- Painamalla ohjelmavalitsimesta harjoituksen aikana siirryt Video / Harjoitusprofiili -näyttöjen välillä.

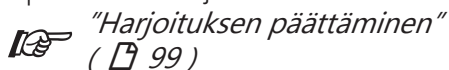
### Harjoitusprofiilinäyttö:

- Valkoinen katkoviiva osoittaa harjoituksen nykytilan ja liikkuu oikealle harjoituksen edetessä.
- Oranssi käyrä esittää käyttäjän sydämensykeä ja vaihtelee sykkeen kiihtyessä ja laskiessa.

### Videonäyttö:

- Valkoinen kuva + 0° näytön alavasemmalla osoittaa kallistuskulman, joka vaihtelee harjoituksen mukaan. Poistuaksesi näytöltä, paina Back/stop, päävalikkopainiketta tai odota, että valkoinen katkoviiva saavuttaa harjoitustavoitteen.

Lopettaaksesi harjoituksen katso:



## Käyttäjäasetukset

Paina "User/Settings" edetäksesi käyttäjäasetusten päävalikkoon

- Pyöritä ohjelmavalitsinta valitaksesi kuuden alavalikon väliltä.
- Paina ohjelmavalitsimesta vahvistaaksesi valinnan alavalikosta, johon haluat edetä.

### Käyttäjälöki

(Kuva. E-17)

Käyttäjälöki -alavalikossa voit tarkastella käyttäjän harjoitushistoriaa: edellisen harjoituksen tietoja tai yhteenvetoa kaikista harjoituksista.

(Kuva. E-25)

Valitsemalla BACK/STOP poistut harjoitushistoriasta.

### Muokkaa käyttäjä

(Kuva. E-18)

By selecting the "User Setting" you can:

- Säättää näytön kirkkautta (oletus= 50%).
- Tarkistaa laitteen kokonaiskäytön: matka.

- Tarkistaa laitteen kokonaiskäytön: aika.
- Tarkistaa laitteen ohjelmistoversion.
- Valita käyttökielen.
- Säättää näppäinäännet päälle (YES) tai pois päältä (NO).

### Käyttäjäasetukset-näyttö (Kuva. E-57)

#### Asetusten muuttaminen.

- Pyöritä ohjelmavalitsinta valitaksesi muokattavan asetuksen.
- Paina ohjelmavalitsimesta avataksesi ja muokataksesi valittua asetusta.
- Pyöritä ohjelmavalitsinta muuttaaksesi asetusta.
- Paina ohjelmavalitsimesta vahvistaaksesi valinnan.
- Pyöritä ohjelmavalitsinta valitaksesi seuraavan muokattavan asetuksen tai paina Back/Stop palataksesi päävalikkoon.

### Muokkaa Käyttäjää

"Muokkaa Käyttäjää"-alavalikossa voit muokata. (Kuva. E-34))

#### Käyttäjän nimi

- Pyöritä ohjelmavalitsinta ja valitse Name.
- Paina ohjelmavalitsimesta muokataksesi nimeä.
- Pyöritä ohjelmavalitsinta valitaksesi ensimmäisen kirjaimen.
- Paina ohjelmavalitsimesta vahvistaaksesi valinnan.
- Pyöritä ohjelmavalitsimesta valitaksesi seuraavan kirjaimen.
- Kun nimi on syötetty, valitse "✓" vahvistaaksesi nimen ja palataksesi Edit User -valikkoon.

#### Näytön mittayksiköt

- Pyöritä ohjelmavalitsinta ja valitse Units.
- Paina ohjelmavalitsimesta avataksesi ja muokataksesi mittayksikköä.
- Pyöritä ohjelmavalitsinta valitaksesi Metric (metrijärjestelmä): km/kph/kcal tai Imperial (UK): mile/mph/kcal.
- Paina ohjelmavalitsinta vahvistaaksesi mittayksikkövalinnan ja palataksesi Edit User -valikkoon.

#### Näyttö

- Pyöritä ohjelmavalitsinta ja valitse Display.
- Paina ohjelmavalitsimesta avataksesi ja muokataksesi näyttöasetuksia.
- Pyöritä ohjelmavalitsinta valitaksesi Count up: laskenta nolasta kohti asetettua aikaa/matkaa tai Count down: laskenta alaspäin asetetusta ajasta/matkasta.
- Paina ohjelmavalitsinta vahvistaaksesi valinnan ja palataksesi Edit User -valikkoon.

#### Sukupuoli

- Pyöritä ohjelmavalitsinta ja valitse Gender.
- Paina ohjelmavalitsinta avataksesi ja muokataksesi sukupuoliavalintaa.

- Pyöritä ohjelmavalitsinta valitaksesi Male/ Female (Mies/ Nainen).
- Paina ohjelmavalitsinta vahvistaaksesi valinnan ja palataksesi Edit User -valikkoon.

### Ikä

- Pyöritä ohjelmavalitsinta ja valitse Age.
- Paina ohjelmavalitsinta muokataksesi ikää.
- Pyöritä ohjelmavalitsinta muuttaaksesi asetettua ikää.
- Paina ohjelmavalitsinta vahvistaaksesi valinnan ja palataksesi Edit User -valikkoon.

### Käyttäjän pituus

- Pyöritä ohjelmavalitsinta ja valitse Height.
- Paina ohjelmavalitsinta muokataksesi pituutta.
- Pyöritä ohjelmavalitsinta muuttaaksesi asetettua pituutta: cm metrijärjestelmässä, ft UK-järjestelmässä.
- Paina ohjelmavalitsinta vahvistaaksesi pituusvalinnan ja palataksesi Edit User -valikkoon.

### Maksimisyke

- Pyöritä ohjelmavalitsinta ja valitse Max HR.
- Paina ohjelmavalitsinta avataksesi ja muokataksesi maksimisykettä.
- Pyöritä ohjelmavalitsinta muuttaaksesi maksimisykkeen oletusarvoa, joka on:  
Miehellä: 220-ikä  
Naisella: 226-ikä
- Paina ohjelmavalitsinta vahvistaaksesi valinnan ja palataksesi Edit User -valikkoon.

### Huippunopeus

- Pyöritä ohjelmavalitsinta ja valitse huippunopeus.
- Paina ohjelmavalitsinta muokataksesi huippunopeus
- Pyöritä ohjelmavalitsinta muuttaaksesi asetettua huippunopeus.
- Paina ohjelmavalitsinta vahvistaaksesi valinnan ja palataksesi Edit User -valikkoon.

#### Note

The set "huippunopeus" will be used as the maximum treadmill speed, in manual as well as in program profile modes.

### Poista käyttäjä

(Kuva. E-20)

Poista käyttäjäalavalikossa voit:

- Poistaa käyttäjän ja kaikki käyttäjätiedot.
- Valitse poistettava käyttäjätili kääntämällä ohjelmavalitsimesta.
- Paina ohjelmavalitsinta poistaaksesi valitun käyttäjätilin ja palataksesi asetusvalikkoon.

*Laite poistaa käyttäjätilin ilman lisäkysymyksiä tai -varoituksia.*

### Vaihda käyttäjää

(Kuva. E-21))

Vaihda käyttäjää -alavalikossa voit:

- Vaihtaa toiseen käyttäjäprofiiliin.
- Pyöritä ohjelmavalitsinta valitaksesi haluamasi profiiliin.
- Paina ohjelmavalitsinta vahvistaaksesi profiilivalinnan ja palataksesi asetusvalikkoon.

### Luo käyttäjä

(Kuva. E-22)

Luo käyttäjä -alavalikossa voit luoda uuden käyttäjäprofiilin. Maksimi käyttäjäprofiileiden määrä on kahdeksan. Katso kohdasta Edit User, kuinka voit luoda uuden käyttäjäprofiilin (Kuva. E-31)

## Takuu

### Tunturi-kuntolaitteen omistajan takuu

#### Takuuehdot

Kuluttajalla on sovellettavan kulutustavaroiden kauppaa koskevan kansallisen lainsäädännön mukaiset lailliset oikeudet, eikä takuulla rajoiteta näitä oikeuksia. Omistajan Takuu on voimassa vain, mikäli laitetta käytetään Tunturi New Fitness BV:n kyseiselle laitteelle sallimassa käyttöympäristössä. Kunkin laitteen sallittu käyttöympäristö mainitaan laitteen käyttöohjeessa.

#### Takuuehdot

Takuuehdot tulevat voimaan tuotteen ostopäivästä lukien. Takuuehdot voivat olla erilaiset eri maissa, joten pyydä takuuehdot paikalliselta jälleenmyyjältä.

#### Takuun kattavuus

Missään olosuhteissa Tunturi New Fitness BV tai Tunturi-jälleenmyyjä ei vastaa ostajalle mahdollisesti aiheutuvista välillisistä vahingoista, kuten käyttöhyödyn tai tulojen menetyksestä taikka muista taloudellisista seurausvahingoista.

#### Takuun rajoitukset

Takuu kattaa työstä ja materiaalista johtuvat virheet kuntolaitteessa, joka on alkuperäisessä kokoonpanossaan.

Takuu koskee vain virheitä, jotka ilmenevät normaalissa ja laitteen mukana tulleen ohjekirjan mukaisessa käytössä edellyttäen, että Tunturin asennus-, huolto- ja käyttöohjeita on noudatettu. Tunturi New Fitness BV:n ja Tunturin jälleenmyyjät eivät vastaa virheistä, jotka aiheutuvat heidän vaikutusmahdollisuuksiensa ulkopuolella olevista seikoista. Takuu on voimassa vain niissä maissa, joissa Tunturi New Fitness BV:llä on valtuutettu maahantuojia. Takuu ei koske sellaisia

kuntolaitteita tai osia, joita on muutettu ilman Tunturi New Fitness BV:n suostumusta. Takuu ei koske virheitä, jotka johtuvat luonnollisesta kulumisesta, virheellisestä käytöstä, käytöstä olosuhteissa, joihin kuntolaitetta ei ole tarkoitettu, korroosiosta tai lastaus- tai kuljetusvahingoista.

Takuu ei koske käyttöäniä, jotka eivät olennaisesti haittaa laitteen käyttöä eivätkä johdu laitteessa olevasta virheestä.

Takuu ei myöskään sisällä kunnossapitotoimenpiteitä, kuten puhdistusta, voitelua tai sen osien normaalia tarkistamista, eikä sellaisia asennustoimenpiteitä, jotka asiakas voi suorittaa itse ja jotka eivät edellytä erityistä kuntolaitteen purkamista / kokeamista. Tällaisia toimenpiteitä ovat esim. mittareiden, polkimien tai muiden vastaavien yksinkertaisten osien vaihdot. Muun kuin valtuutetun Tunturi-edustajan suorittamia takuukorjauksia ei korvata. Laitteen käyttöohjeen noudattamatta jättäminen aiheuttaa takuun raukeamisen.

## Tekniset tiedot

Parametri	Mittayksikkö	Arvo
Sähkölähteen jännite	Vac	230
Sähkölähteen taajuus	HZ	50 ~ 60
Moottori	HV	5.0
Juoksumaton nopeus	Km/h	0.5 - 22.0
Juoksumaton nopeus	Mph	0,3 - 13.7
Nousukulma	%	0 - 15
Pituus	Cm	213
Pituus	Inch	83.7
Leveys	Cm	89
Leveys	Inch	35.1
Korkeus	Cm	144
Korkeus	Inch	56.7
Paino	Kg	95.0
Paino	Lbs	209.2
Suurin sallittu käyttäjän paino	Kg	150
Suurin sallittu käyttäjän paino	Lbs	330

## Valmistajan vakuutus

Tunturi New Fitness BV vakuuttaa tuotteen täyttävän seuraavien standardien ja direktiivien vaatimukset: EN 957 (HB), 89/336/ETY. Tässä tuotteessa on sen vuoksi CE-merkki..

01-2017

Tunturi New Fitness BV  
Purmerweg 1  
1311 XE Almere  
Alankomaat

## Vastuuvapauslauseke

© 2017 Tunturi New Fitness BV  
Kaikki oikeudet pidätetään.

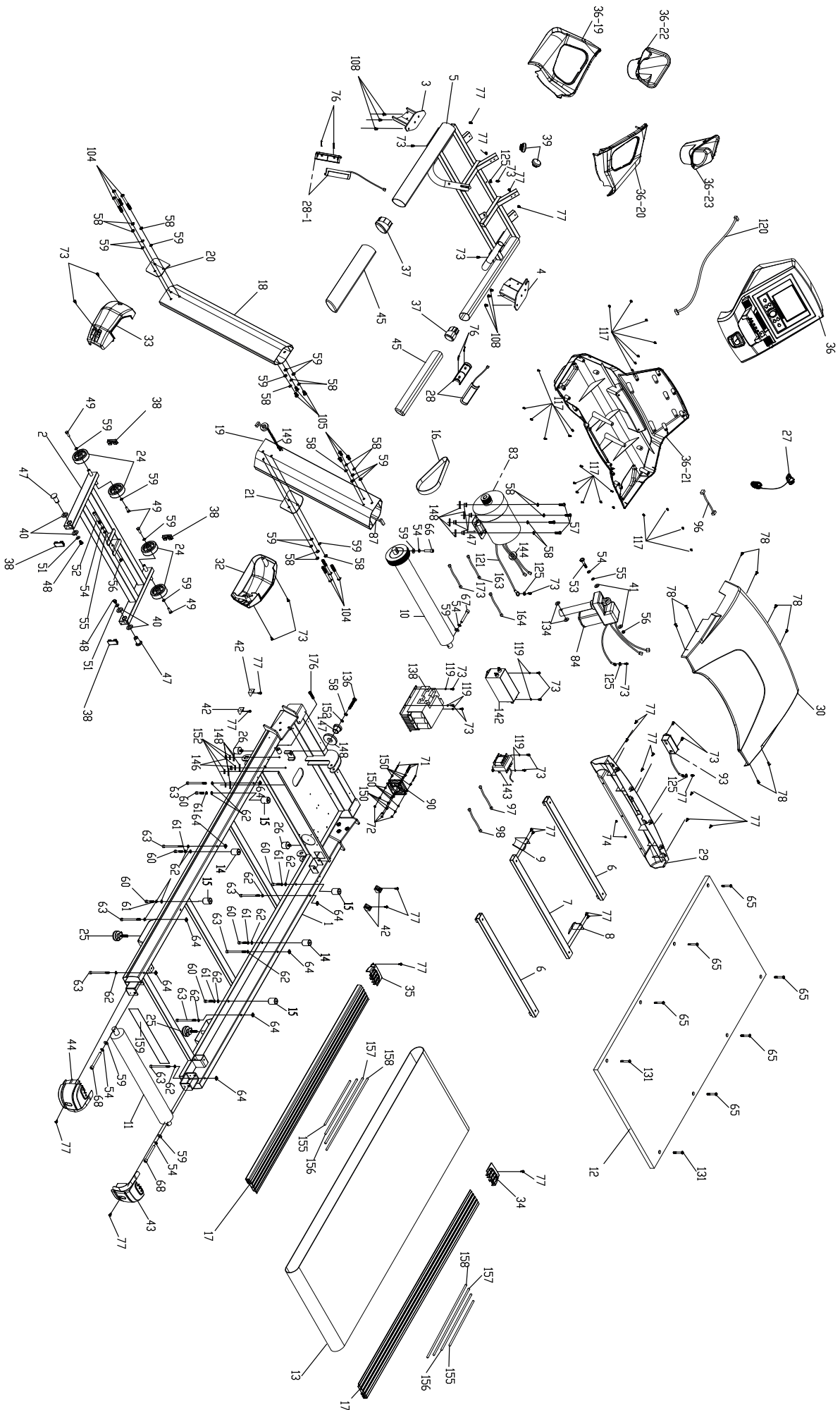
Tuote ja käyttöopas saattavat muuttua. Teknisiä tietoja saatetaan muuttaa ilman eri ilmoitusta.



No	Description	Specs	Qty
1	Main Frame		1
2	Incline Bracket		1
3	Console Mast Locking Assembly ( L )		1
4	Console Mast Locking Assembly ( R )		1
5	Console Support		1
6	Running Deck Stabilizer Assembly(A)		2
7	Running Deck Stabilizer Assembly(B)		1
8	Belt Guide(R)		1
9	Belt Guide(L)		1
10	Front Roller W/Pulley		1
11	Rear Roller		1
12	Running Deck		1
13	Running Belt		1
14	Cushion A		2
15	Cushion B		4
16	Drive Belt		1
17	Aluminum Foot Rail	1380m/m	2
18	Aluminum Upright (L)		1
19	Aluminum Upright (R)		1
20	Upright Fixing Plate(L)		1
21	Upright Fixing Plate(R)		1
24	Transportation Wheel		4
25	Foot Pad		2
26	Incline Rubber Foot		2
27	Safety Key		1
28	Handpulse W/Cable Assembly	900m/m	1
28-01	Handpulse W/Cable Assembly	900m/m	1
29	Front Motor Cover		1
30	Motor Top Cover		1
32	Motor Base Cap (R)		1
33	Motor Base Cap (L)		1
34	Foot Rail Cap (R)		1
35	Foot Rail Cap (L)		1
36	Console Assembly		1
36-19	Console Top Cover		1
36-20	Console Top Cover		1
36-21	Console Bottom Cover		1
36-22	Console Assembly ( L )		1
36-23	Console Assembly ( R )		1
37	Oval Eye Tube Endcap		2

No	Description	Specs	Qty
38	Square End Cap	25m/m×50m/m	4
39	Handpulse End Cap		2
40	Stable Wheel Spacer		4
41	Nylon Washer	Ø10×Ø25×0.8T	2
42	Motor Cover Anchor(D)		4
43	Rear Roller End Cap, Right		1
44	Rear Roller End Cap, Left		1
45	Handgrip Foam		2
47	Carriage Bolt	Ø18×Ø19×41L	2
48	Hex Head Bolt	M8×12m/m	2
49	Hex Head Bolt	3/8"×1"	4
51	Flat Washer	Ø3/8"×20×3.0T	2
52	Hex Head Bolt	M10×65m/m	1
53	Hex Head Bolt	M10×50m/m	1
54	Split Washer	Ø10×1.5T	6
55	Flat Washer	Ø3/8"×Ø19×1.5T	2
56	Nyloc Nut	M10×P1.5×8T	2
57	Socket Head Cap Bolt	3/8"×16×1-1/2"	4
58	Split Washer	Ø10×2T	17
59	Flat Washer	Ø3/8"×Ø25×2.0T	20
60	Socket Head Cap Bolt	M8×1.25×40m/m	6
61	Split Washer	Ø8×1.5T	6
62	Flat Washer	Ø5/16"×16×1.0T	14
63	Socket Head Cap Bolt	M8×1.25×110L	8
64	Square Nut	M8×1.25×6.5T	8
65	Flat Head Countersink Bolt	M8×P1.25×55L	6
66	Socket Head Cap Bolt	M10×40m/m	1
67	Socket Head Cap Bolt	M10×80m/m	1
68	Socket Head Cap Bolt	M10×100m/m	2
71	Phillips Head Screw	M3×45m/m	4
72	Nyloc Nut	M3×5T	4
73	Phillips Head Screw	M5×12m/m	22
74	Nyloc Nut	M5×5T	2
76	Tapping Screw	M3×20m/m	4
77	Tapping Screw	5×20m/m	24
78	Tapping Screw	M5×12m/m	12
83	AC Motor		1
84	Incline Motor		1
87	Computer Cable (Lower)	1700m/m	1
90	Fan		1

No	Description	Specs	Qty
93	AC Electronic Module		1
96	Power Cord		1
97	Connecting Wire (White)	450m/m	1
98	Connecting Wire (Black)	450m/m	1
104	Button Head Socket Bolt	3/8"×3-3/4"	6
105	Button Head Socket Bolt	3/8"×3/4"	6
108	Socket Head Cap Bolt	M8×12m/m	6
113	Phillips Head Screw Driver		1
114	8mm L Allen Wrench		1
117	Tapping Screw	3.5×12m/m	23
119	Split Washer	Ø5×1.5T	9
120	Computer Cable(Middle)	600m/m	1
121	Ground Wire	300m/m	1
125	Star Washer	M5	4
131	Flat Head Countersink Bolt	M8×35m/m	2
134	Nylon Washer	Ø10×Ø24×3T	2
136	Hex Head Bolt	3/8"×2-1/2"	1
137	6mm Allen Wrench		1
138	Inverter		1
142	Filter		1
143	Choke		1
144	Ferrite Core	Ø35×21×13L	1
146	Nyloc Nut	3/8"×7T	2
147	Bushing	Ø10×Ø14×14L	5
148	Nylon Washer	Ø13×Ø35×5T	9
149	Billow Tube		1
150	Isolation Pad		12
152	Flat Washer	Ø3/8"×35×2.0T	5
155	Non-Slip Rubber	400L×14L×1T	2
156	Non-Slip Rubber	435L×14L×1T	2
157	Non-Slip Rubber	465L×14L×1T	2
158	Non-Slip Rubber	500L×14L×1T	2
159	Frame Base Cover		1
163	Motor Fan Connecting Cable(White)	150m/m	1
164	Motor Fan Connecting Cable(Black)	150m/m	1
173	Connecting Wire(White)	700m/m	1
176	Socket Head Cap Bolt	3/8"×UNC16×2"	1











**Tunturi New Fitness BV**

Purmerweg 1 NL - 1311 XE Almere  
P.O. Box 60001 NL - 1320 AA Almere  
The Netherlands

[www.tunturi-fitness.com](http://www.tunturi-fitness.com)

20170123